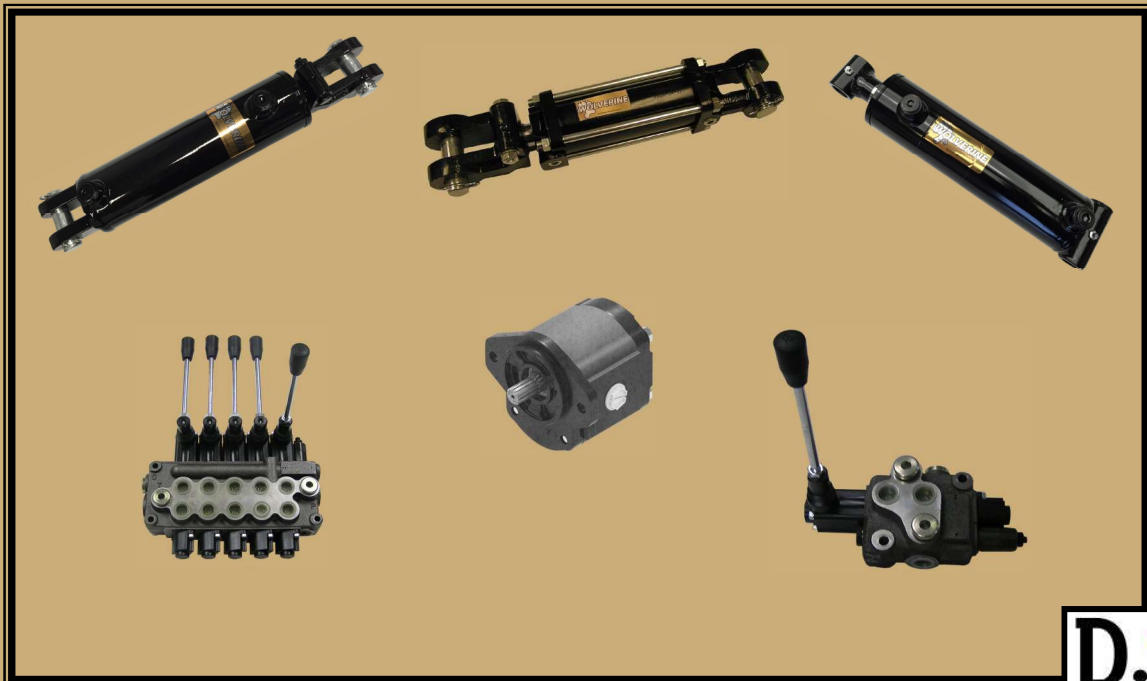


December 1, 2025



# *Cylinders, Valves, Pumps & Accessories*





# INDEX

## **Cylinders**

3000 PSI Welded Cross Tube Cylinders (1.5", 2", 2.5", 3", 3.5", 4") .....	Page 2 & 3
3000 PSI Welded Adjustable Clevis Cylinders (1.5", 2", 2.5", 3", 3.5", 4").....	Page 4 & 5
3000 PSI Welded Swivel Ball End Cylinders (1", 1.5", 2", 2.5", 3") .....	Page 6 & 7
2500 PSI Tie-Rod Cylinders (2", 2.5", 3", 3.5" & 4").....	Page 8 & 9

## **Valves**

20 Gallon Heavy Duty Sectional Valves.....	Page 10-13
MB Mono-Block Directional Control Valves .....	Page 14
MB Mono-Block Directional Control Valve Assemblies & Parts.....	Page 14
MB Mono-Block Directional Control Valve Specifications.....	Page 15
MB Mono-Block Directional Control Valve Dimensional Data .....	Page 15
Log Splitter Valves .....	Page 16
Adjustable Flow Control Valves .....	Page 17
In-Line Flow Control Valves .....	Page 18
In-Line Needle Valves.....	Page 19
Ball Valves.....	Page 20

## **Pumps**

Hand Pumps.....	Page 21-23
Gear Pumps.....	Page 24-28
PTO Pumps .....	Page 29

**Sales Staff** .....Inside Back Cover

## *QUALITY*

Prince Manufacturing Corporation's Wolverine line is our globally-sourced brand of quality hydraulic components. Prince understands customers want choices so we introduced the Wolverine line of products to target a different segment of the market, resulting in more competitively priced products.

Product testing and evaluation is done at Prince's own R & D test lab before any new product is added to the Wolverine line. This has resulted in numerous product improvements that were implemented before the products were placed on our warehouse shelves.

This confirms these products meet their stated specifications and helps ensure consistent quality.



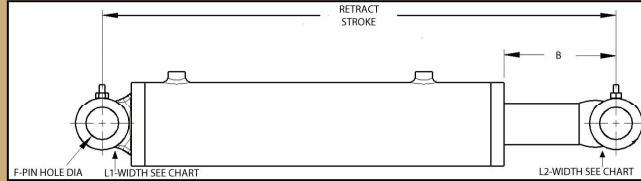
# C Y L I N D E R S

## 3000 PSI Welded Cross Tube Cylinders



### FEATURES:

- 100% tested for quality assurance
- Hard chrome rod plating for corrosion & wear resistance
- Cast steel end fittings for high strength & low cost
- Top port design
- SAE O-ring ports for reliable & leak-free connection
- Thread-in gland design for serviceability
- Grease zerks included for extended pin life
- High luster black paint for protection from the elements
- Individually bagged & boxed for secure storage & transport



MODEL	BORE	PORTS	CROSS TUBE WIDTH		B	F
			L1-BASE END	L2-ROD END		
WWXT1500-S	1.5	SAE 4	2.25	2.00	2.62	3/4
WWXT2000-S	2.0	SAE 6	2.75	2.25	2.25	1
WWXT2500-S	2.5	SAE 8	3.25	2.25	2.25	1
WWXT3000-S	3.0	SAE 8	3.75	2.25	2.25	1
WWXT3500-S	3.5	SAE 8	4.25	2.25	4.00	1.25
WWXT4000-S	4.0	SAE 8	4.75	2.50	3.75	1.50

MODEL	BORE x STROKE			RETRACT	ROD DIA.	COLUMN LOAD RATINGS	WT/LBS	LIST PRICE
WWXT1504-S	1.5	X	4	12	1	FULL PSI	8	174.00
WWXT1506-S	1.5	X	6	14	1	FULL PSI	9	183.00
WWXT1508-S	1.5	X	8	16	1	FULL PSI	10	191.00
WWXT1512-S	1.5	X	12	20	1	FULL PSI	13	209.00
WWXT1516-S	1.5	X	16	24	1	FULL PSI	15	226.00
WWXT2004-S	2	X	4	12	1.25	FULL PSI	12	219.00
WWXT2006-S	2	X	6	14	1.25	FULL PSI	13	230.00
WWXT2008-S	2	X	8	16	1.25	FULL PSI	15	241.00
WWXT2010-S	2	X	10	18	1.25	FULL PSI	17	262.00
WWXT2012-S	2	X	12	20	1.25	FULL PSI	19	263.00
WWXT2014-S	2	X	14	22	1.25	FULL PSI	20	275.00
WWXT2016-S	2	X	16	24	1.25	FULL PSI	22	286.00
WWXT2018-S	2	X	18	26	1.25	FULL PSI	24	297.00
WWXT2020-S	2	X	20	28	1.25	FULL PSI	25	308.00
WWXT2024-S	2	X	24	32	1.25	7300 (2330 PSI)*	29	330.00
WWXT2030-S	2	X	30	38	1.25	4900 (1560 PSI)*	34	363.00
WWXT2036-S	2	X	36	44	1.25	3500 (1120 PSI)*	39	400.00
WWXT2504-S	2.5	X	4	12	1.50	FULL PSI	16	267.00
WWXT2506-S	2.5	X	6	14	1.50	FULL PSI	18	281.00
WWXT2508-S	2.5	X	8	16	1.50	FULL PSI	20	296.00
WWXT2510-S	2.5	X	10	18	1.50	FULL PSI	22	310.00
WWXT2512-S	2.5	X	12	20	1.50	FULL PSI	25	323.00
WWXT2516-S	2.5	X	16	24	1.50	FULL PSI	29	351.00
WWXT2518-S	2.5	X	18	26	1.50	FULL PSI	31	366.00
WWXT2520-S	2.5	X	20	28	1.50	FULL PSI	34	380.00
WWXT2524-S	2.5	X	24	32	1.50	FULL PSI	38	407.00
WWXT2530-S	2.5	X	30	38	1.50	10300 (2100 PSI)*	45	449.00
† WWXT2536-S	2.5	X	36	44	1.50	7400 (1510 PSI)*	51	Call

\*THESE MODELS HAVE A COLUMN LOAD RESTRICTION THAT LIMITS THE MAXIMUM PUSH LOAD THAT THE CYLINDER CAN SAFELY BE OPERATED AT.

† NON-STOCKED ITEMS AVAILABLE AT STANDARD LEAD-TIME.

CHECK OUR PRINCE WEBSITE OR CONTACT YOUR SALES REP TO VERIFY IF NON-STOCKED ITEMS ARE STILL ON HAND FOR IMMEDIATE SHIPMENT.



# C Y L I N D E R S

## 3000 PSI Welded Cross Tube Cylinders

MODEL	BORE x STROKE		RETRACT	ROD DIA.	COLUMN LOAD RATINGS	WT/LBS	LIST PRICE
WWXT3004-S	3	X 4	12	1.5	FULL PSI	19	314.00
WWXT3006-S	3	X 6	14	1.5	FULL PSI	22	Call
WWXT3008-S	3	X 8	16	1.5	FULL PSI	24	345.00
WWXT3010-S	3	X 10	18	1.5	FULL PSI	27	361.00
WWXT3012-S	3	X 12	20	1.5	FULL PSI	29	376.00
WWXT3014-S	3	X 14	22	1.5	FULL PSI	32	391.00
WWXT3016-S	3	X 16	24	1.5	FULL PSI	34	407.00
† WWXT3018-S	3	X 18	26	1.5	FULL PSI	36	Call
WWXT3020-S	3	X 20	28	1.5	20700 (2930 PSI)*	39	437.00
WWXT3024-S	3	X 24	32	1.5	15200 (2150 PSI)*	44	467.00
WWXT3030-S	3	X 30	38	1.5	10300 (1460 PSI)*	51	513.00
† WWXT3032-S	3	X 32	40	1.5	9200 (1300 PSI)*	54	Call
WWXT3036-S	3	X 36	44	1.5	7400 (1050 PSI)*	59	561.00
† WWXT3042-S	3	X 42	50	1.5	5675 (800 PSI)	65	Call
† WWXT3048-S	3	X 48	56	1.5	4400 (620 PSI)*	73	Call
† WWXT3508-S	3.5	X 8	18	1.75	FULL PSI	33	Call
† WWXT3510-S	3.5	X 10	20	1.75	FULL PSI	36	Call
† WWXT3512-S	3.5	X 12	22	1.75	FULL PSI	39	Call
† WWXT3516-S	3.5	X 16	26	1.75	FULL PSI	45	Call
WWXT3518-S	3.5	X 18	28	1.75	FULL PSI	48	523.00
WWXT3524-S	3.5	X 24	34	1.75	26200 (2730 PSI)*	57	580.00
† WWXT3530-S	3.5	X 30	40	1.75	20200 (2100 PSI)	67	Call
† WWXT3532-S	3.5	X 32	42	1.75	16100 (1670 PSI)*	70	Call
† WWXT3536-S	3.5	X 36	46	1.75	13100 (1360 PSI)*	76	Call
† WWXT3540-S	3.5	X 40	50	1.75	10900 (1130 PSI)*	82	Call
† WWXT3548-S	3.5	X 48	58	1.75	7800 (810 PSI)*	94	Call
† WWXT4010-S	4	X 10	20	2	FULL PSI	45	Call
WWXT4012-S	4	X 12	22	2	FULL PSI	49	567.00
† WWXT4014-S	4	X 14	24	2	FULL PSI	52	Call
WWXT4016-S	4	X 16	26	2	FULL PSI	56	610.00
WWXT4018-S	4	X 18	28	2	FULL PSI	60	632.00
WWXT4020-S	4	X 20	30	2	FULL PSI	63	654.00
WWXT4024-S	4	X 24	34	2	37200 (2960 PSI)*	71	698.00
† WWXT4030-S	4	X 30	40	2	24900 (1980 PSI)*	82	Call
† WWXT4032-S	4	X 32	42	2	22400 (1780 PSI)*	85	Call
† WWXT4036-S	4	X 36	46	2	18100 (1440 PSI)*	93	Call
† WWXT4040-S	4	X 40	50	2	14600 (1160 PSI)*	100	Call
† WWXT4042-S	4	X 42	52	2	13500 (1350 PSI)	104	Call
WWXT4048-S	4	X 48	58	2	10600 (840 PSI)*	115	961.00

\*THESE MODELS HAVE A COLUMN LOAD RESTRICTION THAT LIMITS THE MAXIMUM PUSH LOAD THAT THE CYLINDER CAN SAFELY BE OPERATED AT.

UNIVERSAL SEAL KITS		
PART NO.	DESCRIPTION	LIST PRICE
PMCK-WW1500	1.5 BORE	40.00
PMCK-WW2000	2 BORE	34.00
PMCK-WW2500	2.5 BORE	50.00
PMCK-WW3000	3 BORE	50.00
PMCK-WW3500	3.5 BORE	66.00
PMCK-WW4000	4 BORE	66.00

† NON-STOCKED ITEMS AVAILABLE AT STANDARD LEAD-TIME.

CHECK OUR PRINCE WEBSITE OR CONTACT YOUR SALES REP TO VERIFY IF NON-STOCKED ITEMS ARE STILL ON HAND FOR IMMEDIATE SHIPMENT.



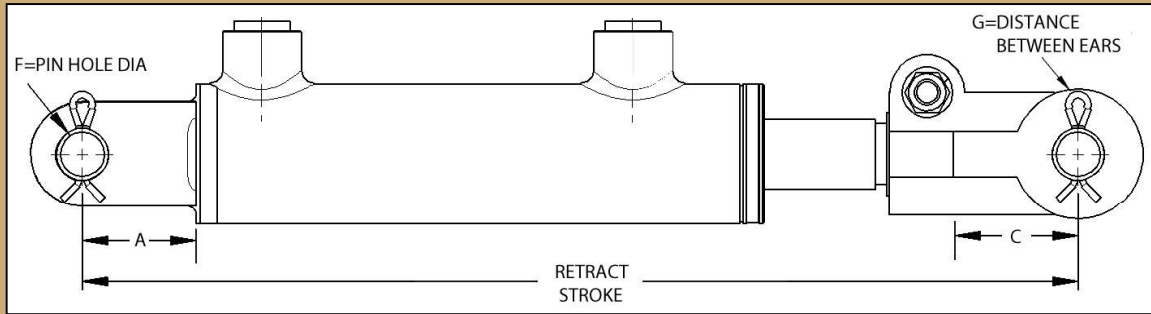
# C Y L I N D E R S

## 3000 PSI Welded Adjustable Clevis Cylinders



### FEATURES:

- 100% tested for quality assurance
- Hard chrome rod plating for corrosion & wear resistance
- Cast steel end fittings for high strength & low cost
- Top port design
- SAE O-ring ports for reliable & leak-free connection
- Spin on rod clevis
- Thread-in gland design for serviceability
- High luster black paint for protection from the elements
- Individually bagged & boxed for secure storage & transport



MODEL	BORE	PORTS	A	C	F	G
WWCL1500-S	1.5	SAE 6	1.63	1.62	0.75	0.88
WWCL2000-S	2.0	SAE 8	2.13	2.12	1.00	1.13
WWCL2500-S	2.5	SAE 8	2.13	2.13	1.00	1.13
WWCL3000-S	3.0	SAE 8	1.88	2.13	1.00	1.13
WWCL3500-S	3.5	SAE 8	1.88	2.13	1.00	1.13
WWCL4000-S	4.0	SAE 8	1.75	2.13	1.00	1.13

MODEL	BORE x STROKE			RETRACT	ROD DIA.	COLUMN LOAD RATINGS	WT/LBS	LIST PRICE
WWCL1504-S	1.5	X	4	14.25	1	FULL PSI	10	185.00
WWCL1506-S	1.5	X	6	16.25	1	FULL PSI	11	194.00
WWCL1508-S	1.5	X	8	18.25	1	FULL PSI	12	203.00
WWCL1508-ASAE	1.5	X	8	20.25	1	FULL PSI	13	203.00
WWCL1510-S	1.5	X	10	20.25	1	FULL PSI	13	211.00
WWCL1512-S	1.5	X	12	22.25	1	FULL PSI	15	220.00
WWCL1516-S	1.5	X	16	26.25	1	FULL PSI	17	238.00
WWCL1518-S	1.5	X	18	28.25	1	4800 (2720 PSI)*	18	248.00

WWCL2004-S	2	X	4	14.25	1.13	FULL PSI	16	239.00
WWCL2006-S	2	X	6	16.25	1.13	FULL PSI	17	249.00
WWCL2008-S	2	X	8	18.25	1.13	FULL PSI	19	260.00
WWCL2008-ASAE	2	X	8	20.25	1.13	FULL PSI	20	260.00
WWCL2010-S	2	X	10	20.25	1.13	FULL PSI	20	270.00
WWCL2012-S	2	X	12	22.25	1.13	FULL PSI	22	281.00
† WWCL2014-S	2	X	14	24.25	1.13	FULL PSI	24	Call
WWCL2016-S	2	X	16	26.25	1.13	FULL PSI	25	302.00
WWCL2018-S	2	X	18	28.25	1.13	FULL PSI	27	312.00
WWCL2020-S	2	X	20	30.25	1.13	9100 (2900 PSI)*	28	323.00
WWCL2024-S	2	X	24	34.25	1.13	6700 (2130 PSI)*	31	343.00
WWCL2030-S	2	X	30	40.25	1.13	4600 (1470 PSI)*	36	375.00
WWCL2036-S	2	X	36	46.25	1.13	3400 (1080 PSI)*	41	405.00

† NON-STOCKED ITEMS AVAILABLE AT STANDARD LEAD-TIME.

CHECK OUR PRINCE WEBSITE OR CONTACT YOUR SALES REP TO VERIFY IF NON-STOCKED ITEMS ARE STILL ON HAND FOR IMMEDIATE SHIPMENT.



# C Y L I N D E R S

## 3000 PSI Welded Adjustable Clevis Cylinders

MODEL	BORE x STROKE		RETRACT	ROD DIA.	COLUMN LOAD RATINGS	WT/LBS	LIST PRICE
† WWCL2504-S	2.5	X 4	14.25	1.25	FULL PSI	19	Call
WWCL2506-S	2.5	X 6	16.25	1.25	FULL PSI	21	288.00
WWCL2508-S	2.5	X 8	18.25	1.25	FULL PSI	23	301.00
WWCL2508-ASAE	2.5	X 8	20.25	1.25	FULL PSI	24	301.00
WWCL2510-S	2.5	X 10	20.25	1.25	FULL PSI	24	313.00
WWCL2512-S	2.5	X 12	22.25	1.25	FULL PSI	26	325.00
† WWCL2514-S	2.5	X 14	24.25	1.25	FULL PSI	28	Call
WWCL2516-S	2.5	X 16	26.25	1.25	FULL PSI	30	350.00
† WWCL2518-S	2.5	X 18	28.25	1.25	FULL PSI	32	Call
WWCL2520-S	2.5	X 20	30.25	1.25	FULL PSI	34	375.00
† WWCL2524-S	2.5	X 24	34.25	1.25	14000 (2850 PSI)*	38	Call
† WWCL2530-S	2.5	X 30	40.25	1.25	9600 (1960 PSI)*	44	Call
† WWCL2536-S	2.5	X 36	46.25	1.25	7000 (1430 PSI)*	49	Call
† WWCL2548-S	2.5	X 48	58.25	1.25	3500 (710 PSI)*	50	Call
WWCL3004-S	3	X 4	14.25	1.5	FULL PSI	24	340.00
WWCL3006-S	3	X 6	16.25	1.5	FULL PSI	26	356.00
WWCL3008-S	3	X 8	18.25	1.5	FULL PSI	29	371.00
WWCL3008-ASAE	3	X 8	20.25	1.5	FULL PSI	31	371.00
WWCL3010-S	3	X 10	20.25	1.5	FULL PSI	31	383.00
† WWCL3012-S	3	X 12	22.25	1.5	FULL PSI	34	Call
WWCL3014-S	3	X 14	24.25	1.5	FULL PSI	36	417.00
WWCL3016-S	3	X 16	26.25	1.5	FULL PSI	39	432.00
† WWCL3018-S	3	X 18	28.25	1.5	FULL PSI	41	Call
WWCL3020-S	3	X 20	30.25	1.5	18800 (2660 PSI)*	43	463.00
† WWCL3024-S	3	X 24	34.25	1.5	14000 (1980 PSI)*	48	Call
† WWCL3030-S	3	X 30	40.25	1.5	9600 (1360 PSI)*	56	Call
† WWCL3036-S	3	X 36	46.25	1.5	7000 (990 PSI)*	63	Call
WWCL3504-S	3.5	X 4	14.25	1.75	FULL PSI	29	397.00
† WWCL3506-S	3.5	X 6	16.25	1.75	FULL PSI	32	Call
† WWCL3508-S	3.5	X 8	18.25	1.75	FULL PSI	35	Call
† WWCL3508-ASAE	3.5	X 8	20.25	1.75	FULL PSI	38	Call
† WWCL3510-S	3.5	X 10	20.25	1.75	FULL PSI	38	Call
† WWCL3512-S	3.5	X 12	22.25	1.75	FULL PSI	41	Call
† WWCL3514-S	3.5	X 14	24.25	1.75	FULL PSI	44	Call
† WWCL3516-S	3.5	X 16	26.25	1.75	FULL PSI	47	Call
† WWCL3518-S	3.5	X 18	28.25	1.75	FULL PSI	50	Call
† WWCL3520-S	3.5	X 20	30.25	1.75	FULL PSI	53	Call
WWCL3524-S	3.5	X 24	34.25	1.75	26000 (2700 PSI)*	59	584.00
† WWCL3530-S	3.5	X 30	40.25	1.75	17900 (1860 PSI)*	68	Call
† WWCL3536-S	3.5	X 36	46.25	1.75	13000 (1350 PSI)*	78	Call
† WWCL4004-S	4	X 4	14.25	2	FULL PSI	35	Call
† WWCL4006-S	4	X 6	16.25	2	FULL PSI	38	Call
† WWCL4008-S	4	X 8	18.25	2	FULL PSI	42	Call
WWCL4008-ASAE	4	X 8	20.25	2	FULL PSI	46	514.00
WWCL4010-S	4	X 10	20.25	2	FULL PSI	46	536.00
WWCL4012-S	4	X 12	22.25	2	FULL PSI	49	558.00
† WWCL4014-S	4	X 14	24.25	2	FULL PSI	53	Call
WWCL4016-S	4	X 16	26.25	2	FULL PSI	57	601.00
WWCL4018-S	4	X 18	28.25	2	FULL PSI	60	623.00
† WWCL4020-S	4	X 20	30.25	2	FULL PSI	64	Call
WWCL4024-S	4	X 24	34.25	2	FULL PSI	71	689.00
† WWCL4030-S	4	X 30	40.25	2	25200 (2010 PSI)*	83	Call
† WWCL4036-S	4	X 36	46.25	2	18200 (1450 PSI)*	94	Call

\*THESE MODELS HAVE A COLUMN LOAD RESTRICTION THAT LIMITS THE MAXIMUM PUSH LOAD THAT THE CYLINDER CAN SAFELY BE OPERATED AT.

### UNIVERSAL SEAL KITS

PART NO.	DESCRIPTION	LIST PRICE	PART NO.	DESCRIPTION	LIST PRICE
PMCK-WW1500	1.5 BORE	40.00	PMCK-WW3000	3 BORE	40.00
PMCK-WW2000	2 BORE	34.00	PMCK-WW3500	3.5 BORE	34.00
PMCK-WW2500	2.5 BORE	50.00	PMCK-WW4000	4 BORE	50.00

† NON-STOCKED ITEMS AVAILABLE AT STANDARD LEAD-TIME.

CHECK OUR PRINCE WEBSITE OR CONTACT YOUR SALES REP TO VERIFY IF NON-STOCKED ITEMS ARE STILL ON HAND FOR IMMEDIATE SHIPMENT.



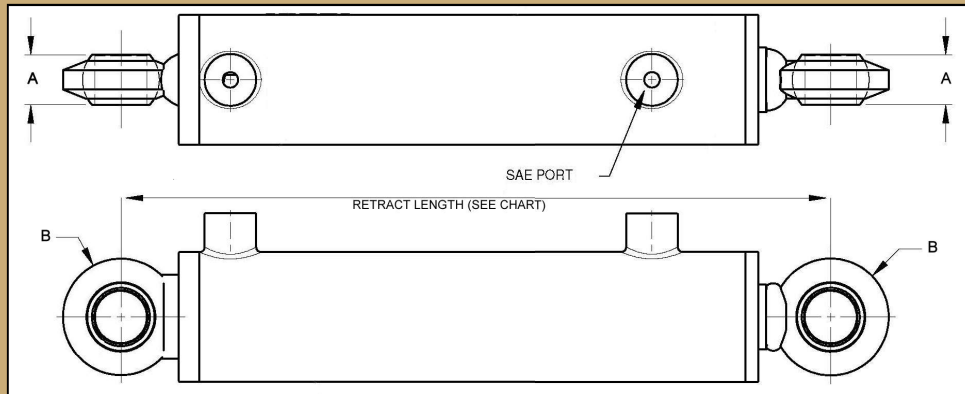
# C Y L I N D E R S

## 3000 PSI Welded Swivel Ball End Cylinders



### FEATURES:

- 100% tested for quality assurance
- Hard chrome rod plating for corrosion & wear resistance
- Cast steel end fittings for high strength & low cost
- Top port design
- SAE O-ring ports for reliable & leak-free connection
- Thread-in gland design for serviceability
- High luster black paint for protection from the elements
- Individually bagged & boxed for secure storage & transport
- Spherical End Fittings



MODEL	(A) SWIVEL WIDTH	(B) SWIVEL DIAMETER
WWSB1000-S	1.0"	2.0"
WWSB1500-S	1.0"	2.0"
WWSB2000-S	1.0"	2.25"
WWSB2500-S	1.0"	2.25"
WWSB3000-S	1.75"	3.13"

MODEL	BORE x STROKE	RETRACT	ROD DIA.	COLUMN LOAD RATINGS (PSI)	PORTS	PIN HOLE	WT/LBS	LIST PRICE
WWSB1004-S	1 X 4	10	0.625	FULL PSI	#6 SAE	0.5	5	167.00
WWSB1006-S	1 X 6	12	0.625	FULL PSI	#6 SAE	0.5	5	175.00
WWSB1008-S	1 X 8	14	0.625	FULL PSI	#6 SAE	0.5	6	184.00
WWSB1010-S	1 X 10	16	0.625	FULL PSI	#6 SAE	0.5	7	192.00
WWSB1012-S	1 X 12	18	0.625	2200 (2800 PSI)*	#6 SAE	0.5	7	201.00

WWSB1504-S	1.5 X 4	11.25	1	FULL PSI	#6 SAE	0.77	6	168.00
WWSB1506-S	1.5 X 6	13.25	1	FULL PSI	#6 SAE	0.77	7	168.00
WWSB1508-S	1.5 X 8	15.25	1	FULL PSI	#6 SAE	0.77	9	194.00
WWSB1510-S	1.5 X 10	17.25	1	FULL PSI	#6 SAE	0.77	10	219.00
WWSB1512-S	1.5 X 12	19.25	1	FULL PSI	#6 SAE	0.77	11	245.00
WWSB1516-S	1.5 X 16	23.25	1	FULL PSI	#6 SAE	0.77	13	296.00

WWSB2006-S	2 X 6	13.5	1.25	FULL PSI	#8 SAE	1.01	15	235.00
WWSB2008-S	2 X 8	15.5	1.25	FULL PSI	#8 SAE	1.01	16	261.00
WWSB2010-S	2 X 10	17.5	1.25	FULL PSI	#8 SAE	1.01	17	286.00
WWSB2012-S	2 X 12	19.5	1.25	FULL PSI	#8 SAE	1.01	19	312.00
WWSB2016-S	2 X 16	23.5	1.25	FULL PSI	#8 SAE	1.01	22	363.00
WWSB2024-S	2 X 24	31.5	1.25	FULL PSI	#8 SAE	1.01	27	448.00
WWSB2030-S	2 X 30	37.5	1.25	6300 (2000 PSI)*	#8 SAE	1.01	32	499.00

\*THESE MODELS HAVE A COLUMN LOAD RESTRICTION THAT LIMITS THE MAXIMUM PUSH LOAD THAT THE CYLINDER CAN SAFELY BE OPERATED AT.



# C Y L I N D E R S

## 3000 PSI Welded Swivel Ball End Cylinders

MODEL	BORE x STROKE	RETRACT	ROD DIA.	COLUMN LOAD RATINGS (PSI)	PORTS	PIN HOLE	WT/LBS	LIST PRICE
WWSB2506-S	2.5 X 6	13.5	1.5	FULL PSI	#8 SAE	1.01	17	285.00
WWSB2508-S	2.5 X 8	15.5	1.5	FULL PSI	#8 SAE	1.01	19	310.00
WWSB2510-S	2.5 X 10	17.5	1.5	FULL PSI	#8 SAE	1.01	21	336.00
WWSB2512-S	2.5 X 12	19.5	1.5	FULL PSI	#8 SAE	1.01	23	353.00
WWSB2524-S	2.5 X 24	31.5	1.5	FULL PSI	#8 SAE	1.01	34	498.00

WWSB3006-S	3 X 6	14.25	1.5	FULL PSI	#8 SAE	1.01	20	320.00
WWSB3008-S	3 X 8	16.25	1.5	FULL PSI	#8 SAE	1.01	22	342.00
† WWSB3010-S	3 X 10	18.25	1.5	FULL PSI	#8 SAE	1.01	24	Call
WWSB3012-S	3 X 12	20.25	1.5	FULL PSI	#8 SAE	1.01	26	410.00
WWSB3016-S	3 X 16	24.25	1.5	FULL PSI	#8 SAE	1.01	31	Call
† WWSB3020-S	3 X 20	28.25	1.5	FULL PSI	#8 SAE	1.01	36	Call
† WWSB3024-S	3 X 24	32.25	1.5	19500 (2750 PSI)*	#8 SAE	1.01	41	Call

\*THESE MODELS HAVE A COLUMN LOAD RESTRICTION THAT LIMITS THE MAXIMUM PUSH LOAD THAT THE CYLINDER CAN SAFELY BE OPERATED AT.

UNIVERSAL SEAL KITS		
PART NO.	DESCRIPTION	LIST PRICE
PMCK-WW1500	1.5 BORE	40.00
PMCK-WW2000	2 BORE	34.00
PMCK-WW2500	2.5 BORE	50.00
PMCK-WW3000	3 BORE	50.00

† NON-STOCKED ITEMS AVAILABLE AT STANDARD LEAD-TIME.

CHECK OUR PRINCE WEBSITE OR CONTACT YOUR SALES REP TO VERIFY IF NON-STOCKED ITEMS ARE STILL ON HAND FOR IMMEDIATE SHIPMENT.



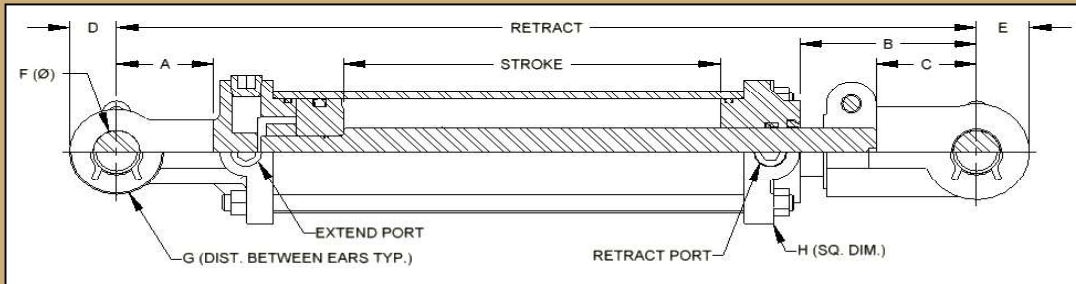
# C Y L I N D E R S

## 2500 PSI Tie-Rod Cylinders



### FEATURES:

- Steel rod clevis & base clevis
- 100% tested
- Clevis meets ASAE specs
- Individually bagged & boxed
- Side port configuration
- SAE O-ring ports for reliable & leak-free connection



MODEL	BORE	EXT PORT SAE	RET PORT SAE	A	B	C	D	E	F	G	H
W200000-S	2.0	#6	#6	2.00	3.75	2.13	.97	1.03	1.00	1.13	2.82
W250000-S	2.5	#6	#6	2.00	3.75	2.13	.97	1.13	1.00	1.13	3.38
W300000-S	3.0	#8	#8	2.00	3.75	2.13	1.00	1.13	1.00	1.13	3.90
W350000-S	3.5	#8	#8	2.00	3.75	2.13	1.13	1.13	1.00	1.13	4.62
W400000-S	4.0	#8	#8	2.00	3.75	2.13	1.13	1.25	1.00	1.13	4.75

MODEL	BORE x STROKE		RETRACT	ROD DIAMETER	COLUMN LOAD (LBS)/PSI*	WT	LIST PRICE
W200040-S	2	X 4	14.25	1.125	FULL PSI	16	223.00
W200060-S	2	X 6	16.25	1.125	FULL PSI	17	233.00
W200080-S	2	X 8	18.25	1.125	FULL PSI	17	243.00
W200080-S	2	X 8	20.25	1.125	FULL PSI	18	248.00
W200100-S	2	X 10	20.25	1.125	FULL PSI	20	262.00
W200120-S	2	X 12	22.25	1.125	FULL PSI	21	271.00
W200160-S	2	X 16	26.25	1.125	FULL PSI	23	299.00
† W200160-S	2	X 16	31.50	1.125	7,400 LB / 2,350 PSI*	24	Call
W200180-S	2	X 18	28.25	1.125	7,850 LB / 2,490 PSI*	24	310.00
W200200-S	2	X 20	30.25	1.125	7,500 LB / 2,390 PSI*	25	327.00
W200240-S	2	X 24	34.25	1.125	5,500 LB / 1,770 PSI*	27	341.00
W200300-S	2	X 30	40.25	1.125	3,800 LB / 1,220 PSI*	35	371.00
W200360-S	2	X 36	46.25	1.125	2,750 LB / 875 PSI*	40	401.00
W250040-S	2.5	X 4	14.25	1.125	FULL PSI	18	255.00
W250060-S	2.5	X 6	16.25	1.125	FULL PSI	19	266.00
W250080-S	2.5	X 8	18.25	1.125	FULL PSI	20	277.00
W250080-S	2.5	X 8	20.25	1.125	FULL PSI	21	281.00
W250100-S	2.5	X 10	20.25	1.125	FULL PSI	22	289.00
W250120-S	2.5	X 12	22.25	1.125	FULL PSI	24	300.00
† W250140-S	2.5	X 14	24.25	1.125	FULL PSI	25	Call
W250160-S	2.5	X 16	26.25	1.125	11,050 LB / 2,250 PSI*	27	340.00
W250180-S	2.5	X 18	28.25	1.250	FULL PSI	28	360.00
† W250200-S	2.5	X 20	30.25	1.250	FULL PSI	30	Call
W250240-S	2.5	X 24	34.25	1.250	8,650 LB / 1,760 PSI*	33	397.00
W250300-S	2.5	X 30	40.25	1.250	5,900 LB / 1,200 PSI*	45	446.00
† W250360-S	2.5	X 36	46.25	1.250	4,300 LB / 875 PSI*	56	Call
† W250480-S	2.5	X 48	58.25	1.25	2,500 LB / 500 PSI*	68	Call

† NON-STOCKED ITEMS AVAILABLE AT STANDARD LEAD-TIME. CHECK OUR PRINCE WEBSITE OR CONTACT YOUR SALES REP TO VERIFY IF NON-STOCKED ITEMS ARE STILL ON HAND FOR IMMEDIATE SHIPMENT.



# C Y L I N D E R S

## 2500 PSI Tie-Rod Cylinders

MODEL	BORE x STROKE			RETRACT	ROD DIAMETER	COLUMN LOAD (LBS)/PSI*	WT	LIST PRICE
W300040-S	3	X	4	14.25	1.25	FULL PSI	20	278.00
W300060-S	3	X	6	16.25	1.25	FULL PSI	25	290.00
W300080-S	3	X	8	18.25	1.25	FULL PSI	25	303.00
V300080-S	3	X	8	20.25	1.25	FULL PSI	25	307.00
W300100-S	3	X	10	20.25	1.25	FULL PSI	30	330.00
W300120-S	3	X	12	22.25	1.25	FULL PSI	28	349.00
W300140-S	3	X	14	24.25	1.25	FULL PSI	30	356.00
W300160-S	3	X	16	26.25	1.25	FULL PSI	33	388.00
V300160-S	3	X	16	31.50	1.5	FULL PSI	35	394.00
W300180-S	3	X	18	28.25	1.5	FULL PSI	35	408.00
W300200-S	3	X	20	30.25	1.5	FULL PSI	37	433.00
W300240-S	3	X	24	34.25	1.5	FULL PSI	42	461.00
W300300-S	3	X	30	40.25	1.5	12,150 LB / 1,720 PSI*	59	485.00
W300360-S	3	X	36	46.25	1.5	12,150 LB / 1,720 PSI*	63	636.00
† W350060-S	3.5	X	6	16.25	1.25	FULL PSI	25	Call
† W350080-S	3.5	X	8	18.25	1.25	FULL PSI	27	Call
V350080-S	3.5	X	8	20.25	1.25	FULL PSI	29	385.00
W350100-S	3.5	X	10	20.25	1.25	FULL PSI	30	392.00
W350120-S	3.5	X	12	22.25	1.25	FULL PSI	33	418.00
W350140-S	3.5	X	14	24.25	1.25	FULL PSI	35	437.00
W350160-S	3.5	X	16	26.25	1.25	17,000 LB / 1,760 PSI*	37	456.00
V350160-S	3.5	X	16	31.50	1.5	FULL PSI	39	466.00
W350180-S	3.5	X	18	28.25	1.25	14,000 LB / 1,450 PSI*	40	Call
† W350200-S	3.5	X	20	30.25	1.5	FULL PSI	42	Call
† W350240-S	3.5	X	24	34.25	1.5	18,000 LB / 1,870 PSI*	51	Call
† W350300-S	3.5	X	30	40.25	1.5	12,000 / 1,250 PSI	65	Call
† W350360-S	3.5	X	36	46.25	1.5	9,000 / 940 PSI	78	Call
W400040-S	4.0	X	4	14.25	1.5	FULL PSI	30	387.00
† W400080-S	4.0	X	8	18.25	1.5	FULL PSI	34	Call
V400080-S	4.0	X	8	20.25	1.5	FULL PSI	36	435.00
W400100-S	4.0	X	10	20.25	1.5	FULL PSI	37	450.00
W400120-S	4.0	X	12	22.25	1.5	FULL PSI	40	470.00
† W400140-S	4.0	X	14	24.25	1.5	FULL PSI	42	Call
W400160-S	4.0	X	16	26.25	1.5	FULL PSI	48	512.00
V400160-S	4.0	X	16	31.50	2	FULL PSI	64	561.00
W400180-S	4.0	X	18	28.25	1.5	30,000 LB / 2,380 PSI*	51	562.00
† W400200-S	4.0	X	20	30.25	1.5	25,000 LB / 2,150	54	Call
W400240-S	4.0	X	24	34.25	2	FULL PSI	70	731.00
† W400300-S	4.0	X	30	40.25	2	FULL PSI	87	Call
W400360-S	4.0	X	36	46.25	2	27,000 LB / 2,150 PSI*	98	893.00

### UNIVERSAL SEAL KITS

PART NO.	DESCRIPTION
PMCK-WW2000	2 BORE
PMCK-WW2500	2.5 BORE
PMCK-WW3000	3 BORE
PMCK-WW3500	3.5 BORE
PMCK-WW4000	4 BORE

\* These models have a column load restriction that limits the maximum push load that the cylinder can safely operate at.

➤ NOTE: V models are built to ASAE retract dimensions.

The "B" dimension shown in the chart will be 2.00 inches longer for 8.0 inch stroke V models and will be 5.25 inches longer for 16.0 inch stroke V models. Also, Model V300160, V350160, & V400160 will have a 1.25 pin.

† NON-STOCKED ITEMS AVAILABLE AT STANDARD LEAD-TIME.

CHECK OUR PRINCE WEBSITE OR CONTACT YOUR SALES REP TO VERIFY IF NON-STOCKED ITEMS ARE STILL ON HAND FOR IMMEDIATE SHIPMENT.



# V A L V E S

## 20 Gallon Heavy Duty Sectional Valves

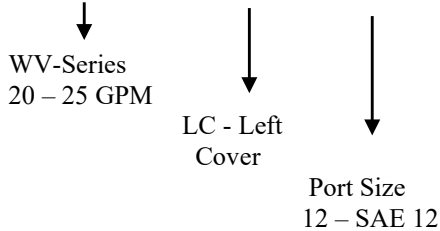


### FEATURES:

- Replaces Parker/Gresen V20 & Prince Series 20 valves
- Circuit: Parallel/Open center/Closed center
- Capacity: 25 gpm nominal
- Max Operating Pressure: 3500 psi SAE ports only
- Max Tank Pressure: 500 psi
- Adjustable relief
- Seals are included with each work section
- Inlet/outlet #12 SAE port
- Work ports #10 SAE port
- Black Phosphate Coating

### Inlet Sections

WV20 - LC - 12



#### Approximate Weight (Lbs.)

Part	Inlet	Outlet	Work Section
WV20	7	4	10

### Inlet Sections

PART NUMBER	DESCRIPTION	REPLACEMENT FOR GRESN		LIST PRICE
		MODEL NO.	PART NO.	
WV20-LC-12	INLET COVER BODY ONLY / PORT SIZE #12 SAE	20-LC-12	8650029	337.00
WV20-WH-1700	SHIM ADJUSTABLE 1250-1749 SET @ 1700 PSI	WH-1700	8650418	125.00
WV20-WH-1950	SHIM ADJUSTABLE 1750-1999 SET @ 1950 PSI	WH-1950	8650419	125.00
WV20-WH-2550	SHIM ADJUSTABLE 2000-2599 SET @ 2550 PSI	WH-2550	8650420	122.00
WV20-HRP51A-2000	ADJUSTABLE 500-3500 SET @ 2000 PSI	RP51A-2000	8650421	135.00
WV20-HRP51A-3000	ADJUSTABLE 500-3500 SET @ 3000 PSI	RP51A-3000	8650421	135.00
WV20-K-NR	NO RELIEF PLUG	K-20-NR	8650382	37.00

Note: For complete inlet must order inlet body and main relief cartridge.

### Work Sections

PART NUMBER	DESCRIPTION	REPLACEMENT FOR GRESN	LIST PRICE
WV20-10-03	3 WAY 3 POSITION SINGLE ACTING W/SPRING RETURN / #10 SAE WORK PORTS	20-10-03	549.00
WV20-10-04	4 Way 3 POSITION DOUBLE ACTING W/SPRING RETURN / #10 SAE WORK PORTS	20-10-04	557.00
WV20-10-D4	4 Way 3 POSITION W/3 POSITION DETENT / #10 SAE WORK PORTS	20-10-D4	576.00
WV20-10-DF4	4 WAY 3 POSITION MOTOR SPOOL W/3 POSITION DETENT / #10 SAE WORK PORTS	20-10-DF4	571.00
WV20-10-F4	4 WAY 3 POSITION FREE FLOW MOTOR W/SPRING RETURN / #10 SAE WORK PORTS	20-10-F4	542.00

Note: O-rings for between sections included with ordering a work section.

Note: Handles are NOT included with work sections, see page 12.

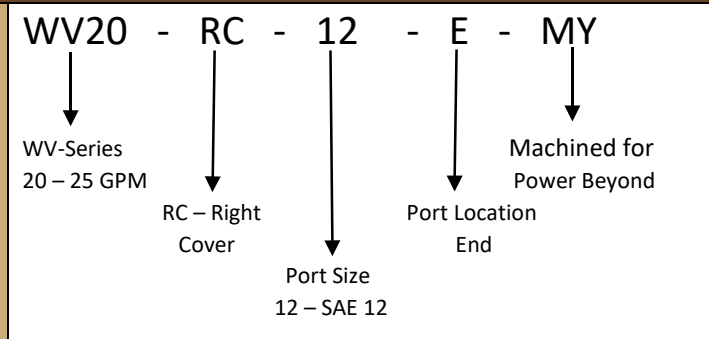


# V A L V E S

## Work Port Accessories

PART NUMBER	REPLACEMENT FOR GRESEN	RELIEF VALVE	RELIEF & ANTI-CAVITATION CHECK	ANTI-CAVITATION CHECK	500-1249 SET @ 1200 PSI	1250-1749 SET @ 1700 PSI	1750-1999 SET @ 1950 PSI	2000-2599 SET @ 2550 PSI	LIST PRICE
WV20-CRA-1200	CRA-A-1200		X		X				125.00
WV20-CRA-1700	CRA-A-1700		X			X			125.00
WV20-CRA-1950	CRA-A-1950		X				X		137.00
WV20-CRA-2550	CRA-A-2550		X					X	125.00
WV20-RC-500	RC-A-500	X			X				110.00
WV20-RC-1200	RC-A-1200	X			X				110.00
WV20-RC-1700	RC-A-1700	X				X			110.00
WV20-RC-1950	RC-A-1950	X					X		110.00
WV20-RC-2550	RC-A-2500	X						X	110.00
WV20-K-AC	K-20-AC			X					59.00

## Outlet Sections



## Outlet Covers

PART NUMBER	DESCRIPTION	REPLACEMENT FOR GRESEN	PORT SIZE & LOCATION # 12 SAE	LIST PRICE
WV20-RC-12-E (Body)	OPEN CENTER W/NO POWER BEYOND OPTION	20-RC-12-E	END	198.00
WV20-RC-12-E-MY (Body)	OPEN CENTER W/ POWER BEYOND CAPABILITY	20-RC-E-MY	END	200.00
WV20-K-10-Y	#10 SAE POWER BEYOND SLEEVE	K-20-10-Y		49.00
WV20-K-C	CLOSED CENTER PLUG	K-20-C		32.00
WV20-K-X	CONVERSION PLUG	K-20-X		22.00



# V A L V E S

## Handle Options

PART NUMBER	DESCRIPTION	REPLACEMENT FOR GRESN	LIST PRICE
WV20-K-HH-B	HORIZONTAL HANDLE & LINKAGE KIT (BLACK)	K-20-HH-B	44.00
WV20-K-VH-B	VERTICAL HANDLE & LINKAGE KIT (BLACK)	K-20-VH-B	42.00

## Stud Kits

PART NUMBER	DESCRIPTION	REPLACEMENT FOR GRESN	LIST PRICE
WV20-K-1	1 WORK SECTION STUD KIT	K-20-1	22.00
WV20-K-2	2 WORK SECTION STUD KIT	K-20-2	25.00
WV20-K-3	3 WORK SECTION STUD KIT	K-20-3	30.00
WV20-K-4	4 WORK SECTION STUD KIT	K-20-4	42.00
WV20-K-5	5 WORK SECTION STUD KIT	K-20-5	44.00
WV20-K-6	6 WORK SECTION STUD KIT	K-20-6	57.00
WV20-K-7	7 WORK SECTION STUD KIT	K-20-7	59.00
WV20-K-8	8 WORK SECTION STUD KIT	K-20-8	61.00

## Spool Positioners

PART NUMBER	DESCRIPTION	REPLACEMENT FOR GRESN	LIST PRICE
WV20-K-D	3 POSITION DETENT	K-20-D	40.00
WV20-K-PA1	PNEUMATIC SPOOL POSITIONER KIT	K-20-PA-1	296.00
WV20-K-R	SPOOL "IN" DETENT w/ SPRING RETURN TO NEUTRAL	K-20-R	176.00
WV20-K-RO	SPOOL "OUT" DETENT w/ SPRING RETURN TO NEUTRAL	K-20-RO	176.00

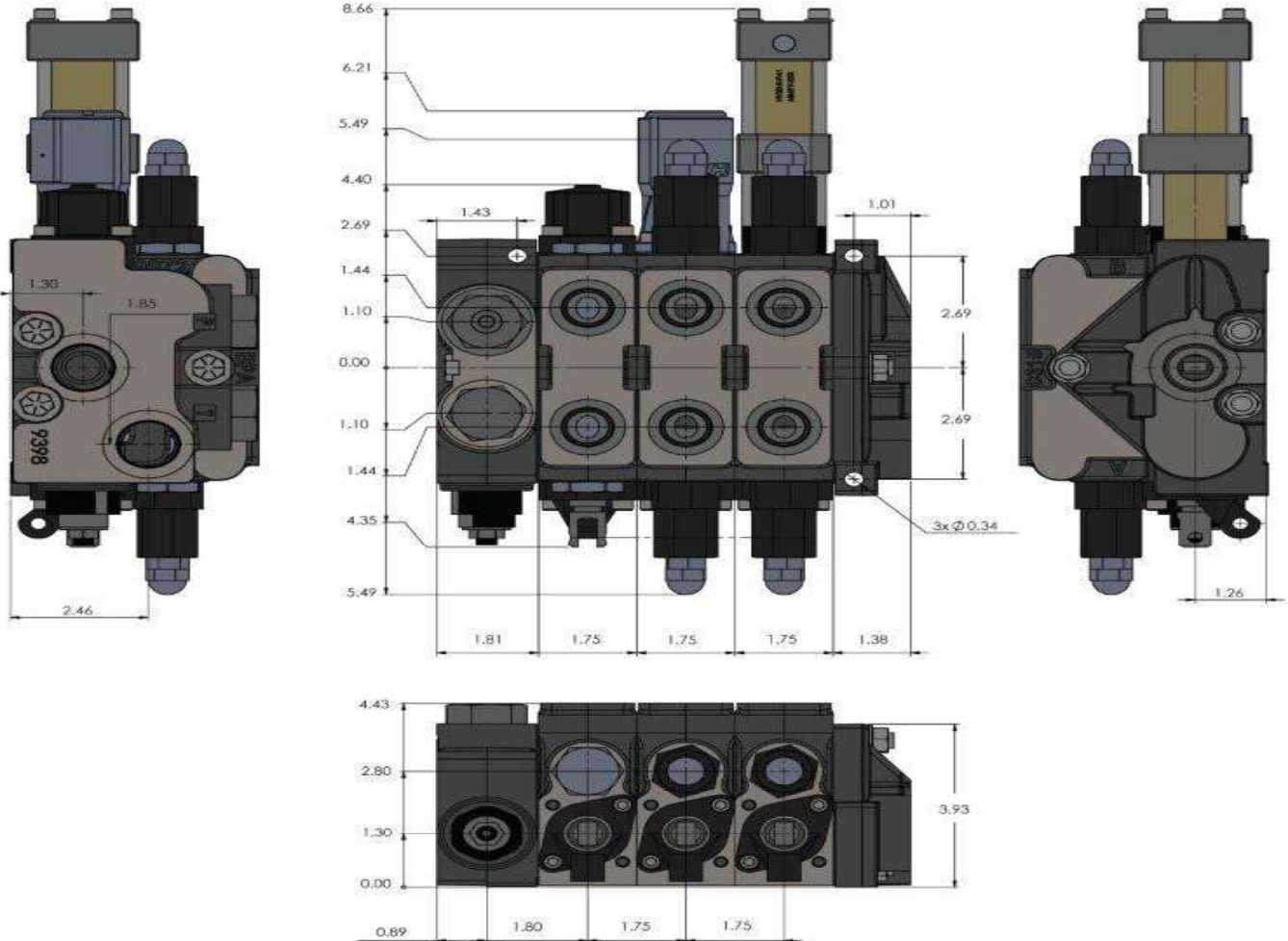
## Seal Kits

PART NUMBER	DESCRIPTION	REPLACEMENT FOR GRESN	LIST PRICE
WV20-K-6035	SPOOL SEALS	K-6035	31.00
WV20-K-6121	SECTION SEALS	K-6121	5.00



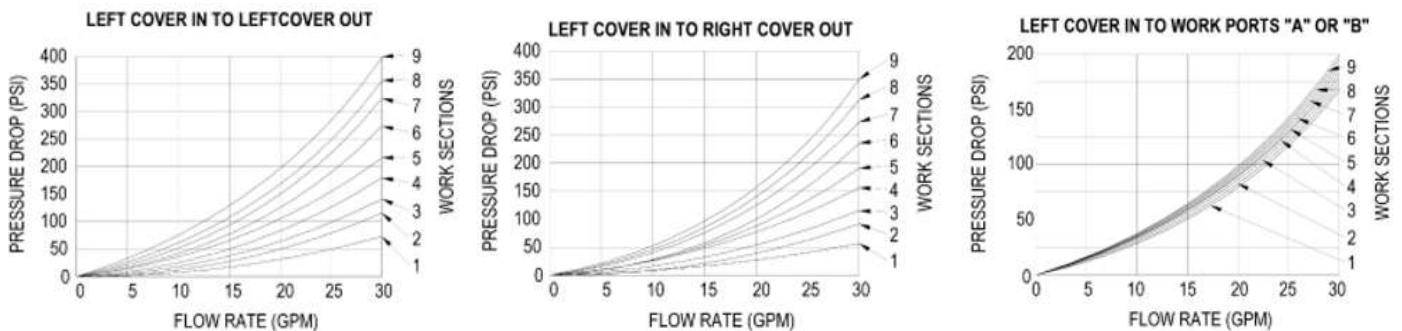
# V A L V E S

## 20 Gallon Sectional Valve Specifications & Dimensional Data



## Performance Curves

(All tests run using 150 SUS oil, at 120°F. SAE-12 inlet and outlet ports and SAE-10 work section ports)





# V A L V E S

## Mono-Block Directional Control Valves



### FEATURES:

- 1-6 spool mono-block
- 3500 PSI rating
- #8 SAE O-ring in/out Ports
- #8 SAE O-ring work ports
- Interchangeable motor spool
- Load check
- Parallel cylinder spools
- Adjustable relief
- Enclosed handle design
- Open center – field convertible to power beyond & closed center included
- Low spool leakage (3cc/min @ 1500 PSI)
- Hardened steel spools

## MB Mono-Block Directional Control Valve Assemblies

VALVE MODEL NO.	NO. OF SPOOLS	SPOOL TYPE, ACTION	WEIGHT (POUNDS)	LIST PRICE
MB11B5C1	1	4 WAY 3 POSITION, SPRING CENTER TO NEUTRAL, ALL SPOOLS	6.9	257.00
MB11C5C1	1	4 WAY 3 POSITION MOTOR, 3 POSITION DETENT, ALL SPOOLS	7.2	310.00
†MB11G5C1	1	4 WAY 4 POSITION FLOAT, SPRING CENTER W/FLOAT DETENT	7.2	Call
MB21BB5C1	2	4 WAY 3 POSITION, SPRING CENTER TO NEUTRAL, ALL SPOOLS	9.7	418.00
MB21GB5C1	2	4 WAY 4 POSITION FLOAT, SPRING CENTER W/FLOAT DETENT, 1 <sup>ST</sup> SPOOL 4 WAY 3 POSITION, SPRING CENTER TO NEUTRAL, 2 <sup>ND</sup> SPOOL	10.2	Call
MB31BBB5C1	3	4 WAY 3 POSITION, SPRING CENTER TO NEUTRAL, ALL SPOOLS	12.8	652.00
MB41BBBB5C1	4	4 WAY 3 POSITION, SPRING CENTER TO NEUTRAL, ALL SPOOLS	16.1	582.00
MB51BBBBB5C1	5	4 WAY 3 POSITION, SPRING CENTER TO NEUTRAL, ALL SPOOLS	19.2	1037.00
MB61BBBBBB5C1	6	4 WAY 3 POSITION, SPRING CENTER TO NEUTRAL, ALL SPOOLS	22.2	1137.00

## MB Mono-Block Directional Control Valve Parts

PART NO.	DESCRIPTION	LIST PRICE
612000001	3 WAY TANDEM SPOOL (single acting)	104.00
612100001	MOTOR SPOOL	104.00
660170055	HANDLE WITH KNOB	41.00
660170056	GLASS FILLED NYLON ENCLOSED HANDLE HOUSING	58.00
660170057	SPRING CENTER KIT	41.00
660170058	THREE POSITION DETENT KIT	96.00
660170060	ALUMINUM ENCLOSED HANDLE HOUSING	65.00
660170061	JOYSTICK KIT (field installable)	226.00
660270005	RELIEF VALVE (2000-3500)	113.00
660270006	NO RELIEF PLUG	Call
660570003	SEAL KIT	96.00
670300133	580 – 1160 PSI RELIEF SPRINGS	53.00
670300134	913 – 2900 PSI RELIEF SPRINGS	Call
671400306	ALUMINUM END CAP WITH SCREWS	41.00
671400307	GLASS FILLED NYLON END CAP WITH SCREWS	27.00
671900122	POWER BEYOND PLUG / CLOSED CENTER PLUG	20.00

† NON-STOCKED ITEMS AVAILABLE AT STANDARD LEAD-TIME.

CHECK OUR PRINCE WEBSITE OR CONTACT YOUR SALES REP TO VERIFY IF NON-STOCKED ITEMS ARE STILL ON HAND FOR IMMEDIATE SHIPMENT.

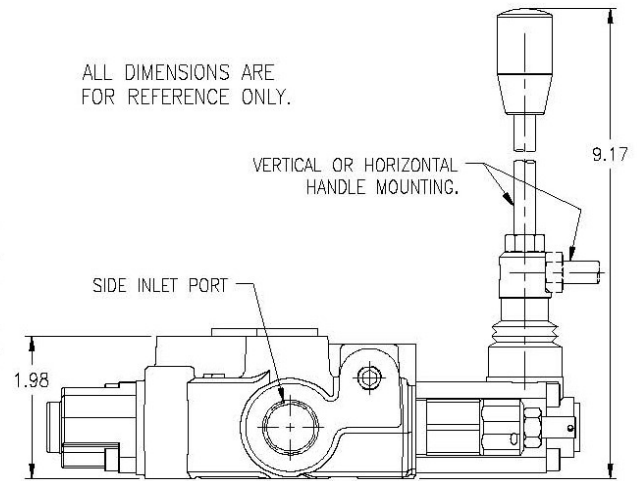
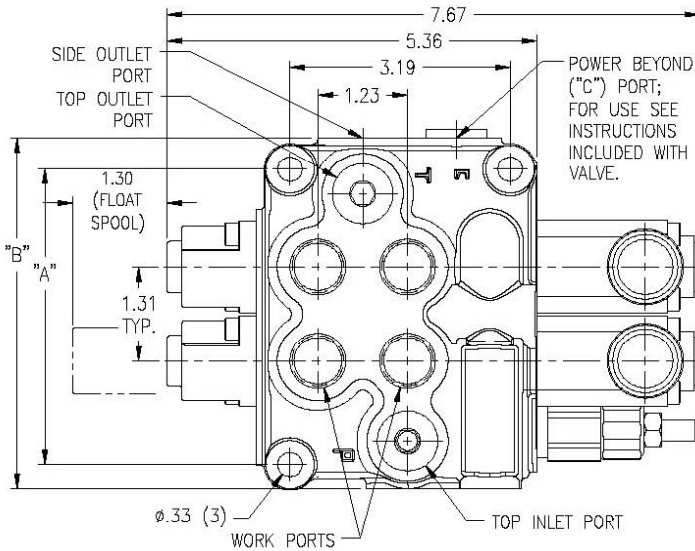


# V A L V E S

## MB Specifications and Dimensional Data

MAXIMUM OPERATING PRESSURE 3500 PSI  
 MAXIMUM POWER BEYOND PRESSURE 3000 PSI  
 MAXIMUM TANK PRESSURE 500 PSI  
 NOMINAL FLOW RATING 8 GPM  
 MAXIMUM OPERATING TEMPERATURE 180° F

STRAIGHT HANDLE LENGTH: 5.8 INCHES  
 FILTRATION RECOMMENDATIONS: ISO 4406 19 / 17 / 14  
 SPOOL SEALS IN INTERNAL O-RING GROOVES  
 HIGH PRESSURE ADJUSTABLE RELIEF ADJUSTMENT RANGE  
 2000-3500 PSI (PRESET TO 2500 PSI @ 6 GPM)



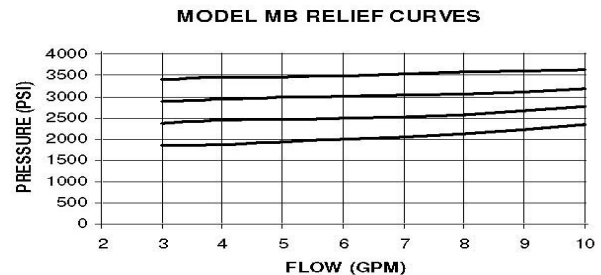
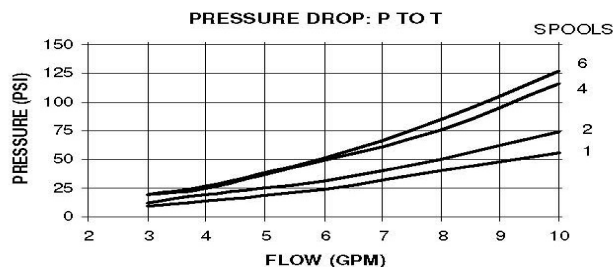
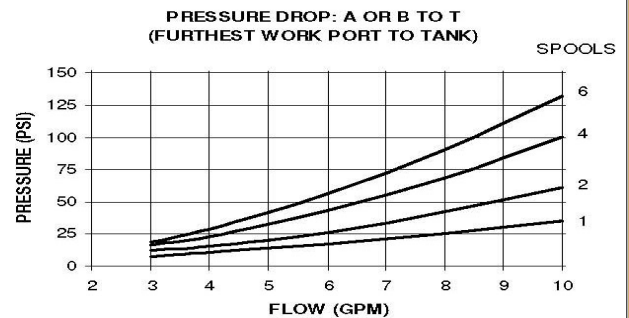
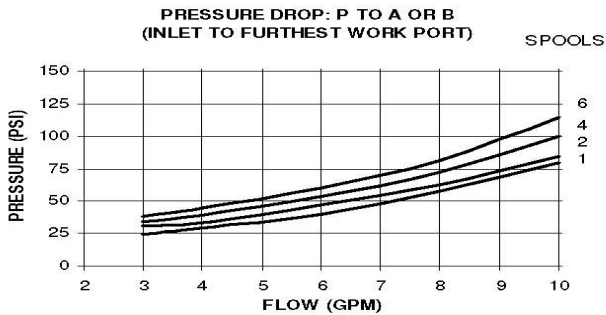
ALL DIMENSIONS ARE FOR REFERENCE ONLY.

INLET AND OUTLET PORTS: #8 SAE/ORB (3/4-16UNF-2B)  
 ALL WORK PORTS: #8 SAE/ORB (3/4-16UNF-2B)  
 POWER BEYOND PORT: #8 SAE/ORB (3/4-16UNF-2B)

NUMBER OF SPOOLS:

	1	2	3	4	5	6
"A"	2.87	4.33	5.79	7.24	8.70	10.16
"B"	3.78	5.16	6.62	8.07	9.53	10.99

## Performance Curves





# V A L V E S

## Log Splitter Valves

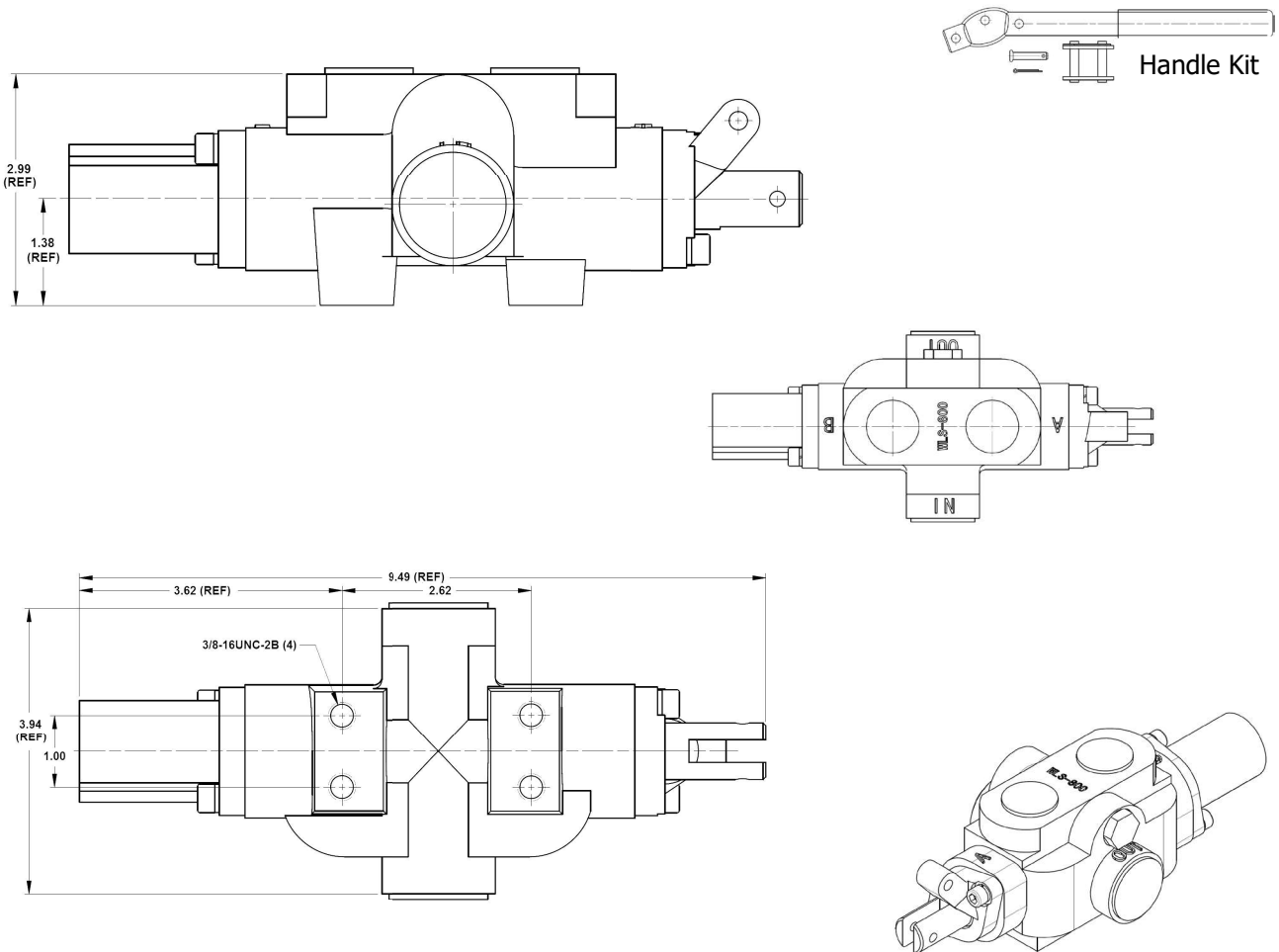


### FEATURES:

- Pressure release detent at end of retract stroke / detent in spool in position
- Relief set to 2,250 PSI
- Max tank port pressure 500 PSI
- Max operating temperature 180° F

## Log Splitter Valves

MODEL No.	DESCRIPTION	PORT SIZE WORK / IN-OUT	MAX PSI	MAX FLOW	SHIPPING WEIGHT	LIST PRICE
WLS-800	Log Splitter Valve	1/2"NPTF / 3/4"NPTF	3,265 PSI	30 GPM	10	Call





# V A L V E S

## Adjustable Flow Control Valves



The W-1900 is a pressure compensated adjustable flow control valve. By rotating the handle, the flow out the "CF" or controlled flow port can be varied within the range given in the chart below. Any remaining flow is bypassed to the "EF" or excess flow port. This flow can be used to power another circuit or can be returned to tank. Once the controlled flow is set, it will remain nearly constant with variations in pressure on either the controlled or excess flow ports. Please note, if during operation the controlled flow port is blocked, the valve will compensate in such a way as to shut off flow to the excess port.

This valve can also be used as a restrictive flow control by plugging the excess flow port.

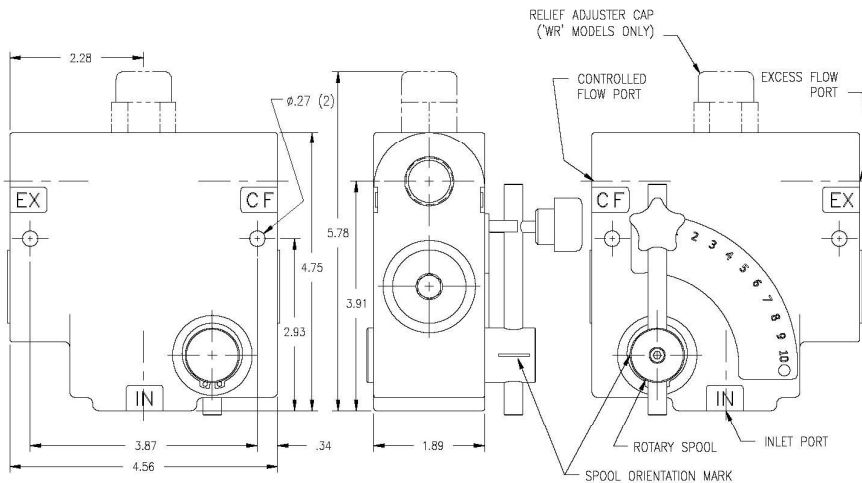
The WR-1900 has a built-in adjustable pressure relief. For this model, the excess flow port **must** be connected to tank. It should be noted that whenever this or any valve is used to bypass or restrict flow, heat will be generated. Steps may be required to keep oil temperature from becoming too high.

## W/WR Adjustable Flow Control Valves

MODEL No.	DESCRIPTION	CROSS REF.	WEIGHT (POUNDS)	LIST PRICE
W-1908-8	#8 SAE/ORB PORTS (O-8 GPM CF SPOOL)	FC51-8	9	230.00
W-1950-16	1/2-NPTF PORTS (O-16 GPM CF SPOOL)	FC51-1/2	9	230.00
WR-1950-16	1/2-NPTF PORTS (O-16 GPM W/RELIEF)	FCR51-1/2	9	259.00

### RELIEF PRESSURE INFORMATION:

Inlet relief protection available on "WR" models. Relief pressure preset at 1500 PSI and is adjustable from 1250 to 3000 PSI. To adjust, remove acorn nut, turn adjusting screw clockwise to increase pressure, counterclockwise to reduce pressure. Reinstall acorn nut after adjusting. Use a pressure gauge when making adjustments.



NOTE: ALL DIMENSIONS ARE FOR REFERENCE ONLY.

### VALVE SPECIFICATIONS

- 30 GPM max flow
- 3000 PSI max
- 180° F max temp
- Filtration 17/14/19
- For use with mineral based hydraulic fluid
- Side port configuration
- 100% Tested
- External seals on rotary spool prevent contamination from locking up spool

### KITS

PART NO.	DESCRIPTION	LIST PRICE
660170064	HANDLE KIT	27.00



# V A L V E S

## *In-Line Flow Control Valves*



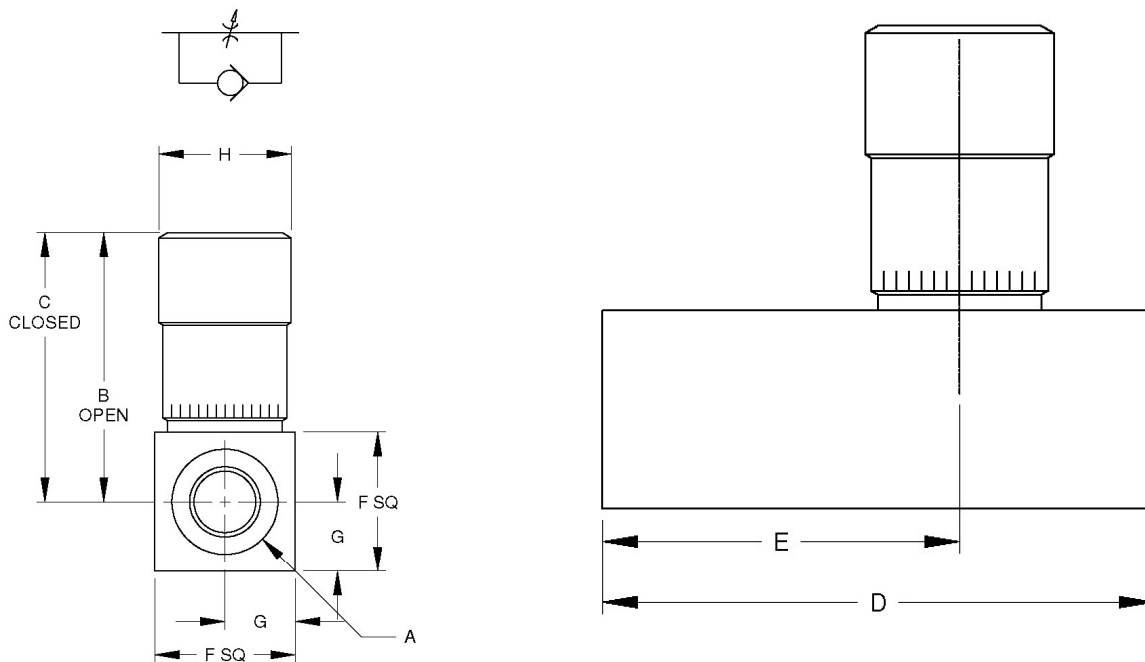
### FEATURES:

- Carbon steel body
- Designed to provide precision flow control & shut off in one flow direction & provide free flow in the opposite direction
- Color bands allow fast return to a previous setting
- Set screw locks valve to any setting
- Operating temp range -20°F through 210°F

## *In-Line Flow Control Valves*

MODEL No.	PORT SIZE	MAX PSI	MAX FLOW	SHIPPING WEIGHT	LIST PRICE
WFC-600	3/8"NPTF	5,000 PSI	8 GPM	0.9	57.00
WFC-800	1/2" NPTF	5,000 PSI	15 GPM	1.5	83.00

MODEL NO.	MAX FLOW	A	B	C	D	E	F	G	H
WFC-600	8 GPM	3/8 NPTF	2.18	1.94	2.75	1.75	1	.5	1
WFC-800	15GPM	1/2 NPTF	2.70	2.42	3.44	2.23	1.25	.63	1.19





# V A L V E S

## In-Line Needle Valves



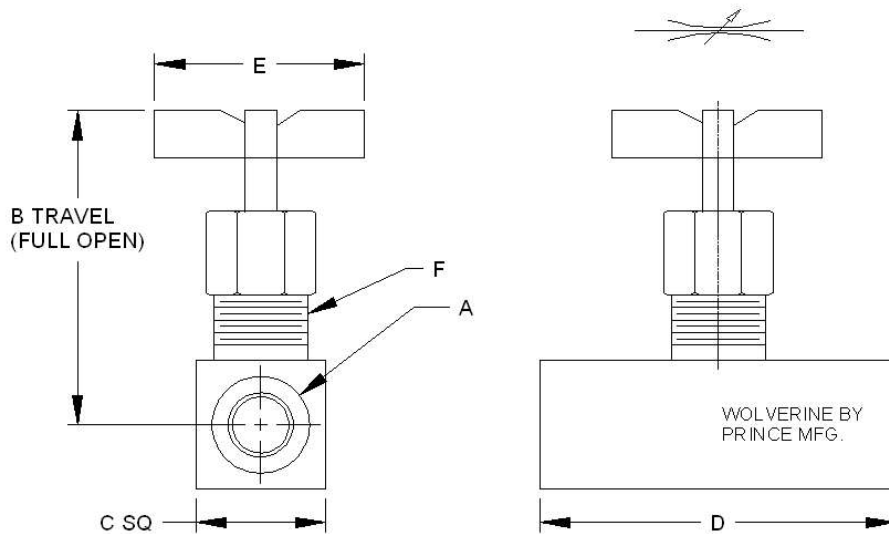
### FEATURES:

- Carbon steel body
- Designed to provide precision flow control
- Operating temp range -20°F through 210°F

## In-Line Needle Valves

MODEL No.	PORT SIZE	MAX PSI	MAX FLOW	SHIPPING WEIGHT	LIST PRICE
WNV-600	3/8" NPTF	5,000 PSI	8 GPM	1.0	69.00
+ WNV-800	1/2" NPTF	5,000 PSI	16 GPM	1.8	Call

MODEL NO.	MAX FLOW	MAX PSI	A	B	C	D	E	F
WNV-600	8 GPM	5000	3/8 NPTF	4.2	1	2.5	2.5	M22-1.5
WNV-800	16 GPM	5000	1/2 NPTF	5.1	1.25	2.62	3.25	M28-1.5



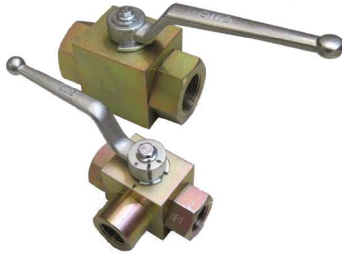
† NON-STOCKED ITEMS AVAILABLE AT STANDARD LEAD-TIME.

CHECK OUR PRINCE WEBSITE OR CONTACT YOUR SALES REP TO VERIFY IF NON-STOCKED ITEMS ARE STILL ON HAND FOR IMMEDIATE SHIPMENT.



# V A L V E S

## Ball Valves for Hydraulic Use

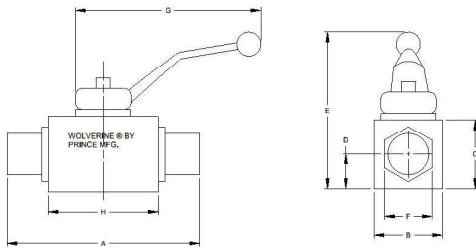


### FEATURES:

- 1/4", 3/8", 1/2" sizes 7,250 PSI (CWP)
- Carbon Steel Body Zinc Plated
- Hard Chrome Plated Steel Ball, POM Seat
- 3 way valves are "L" Type
- Operating Temp -20° to 175° F
- Not Recommended for Steam, Gas, or Water Service

## 2 Way High Pressure Ball Valves

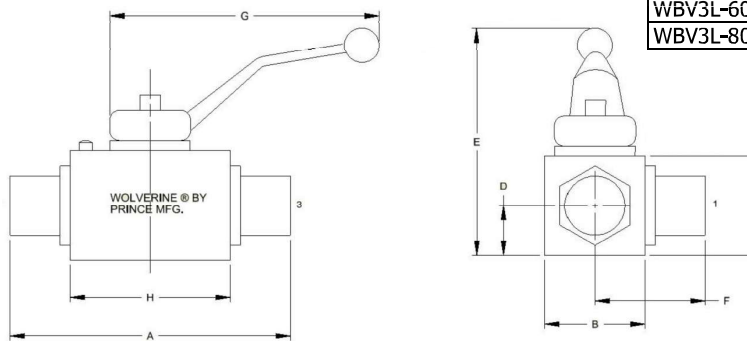
MODEL No.	PORT SIZE	MAX PSI	SHIPPING WEIGHT	LIST PRICE
WBV2-SAE6	SAE6	7,250 PSI	1.5	Call
WBV2-SAE8	SAE8	7,250 PSI	2.0	45.00



MODEL NO.	A	B	C	D	E	F	G	H
WBV2-SAE6	2.83	1.25	1.42	.63	2.87	1.06	4.72	1.65
WBV2-SAE8	3.27	1.38	1.50	.70	2.95	1.18	4.72	1.85

## 3 Way High Pressure Ball Valves (L-Bore)

WBV3L-600	3/8" NPTF	7,250 PSI	2.0	Not Stocked
WBV3L-800	1/2" NPTF	7,250 PSI	2.5	Not Stocked



MODEL NO.	A	B	C	D	E	F	G	H
WBV3L-600	2.83	1.25	1.42	.63	2.87	2.05	4.72	1.65
WBV3L-800	3.27	1.38	1.50	.70	2.95	2.26	4.72	1.85



# PUMPS

## Hand Pumps



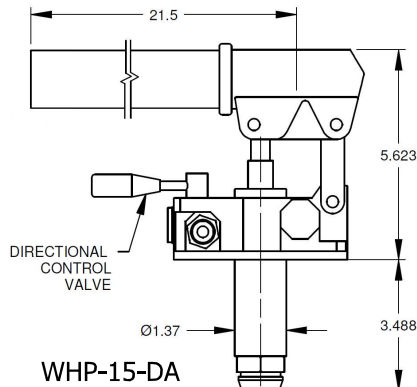
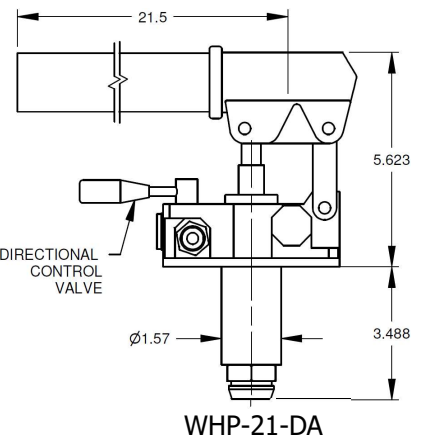
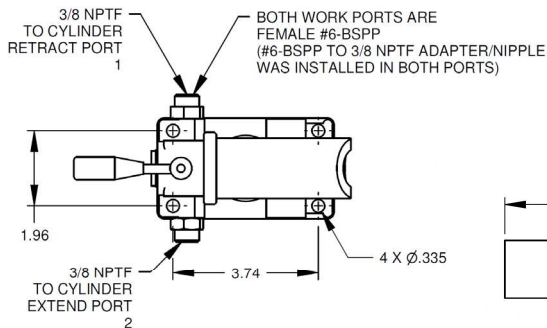
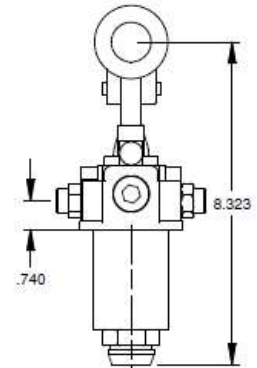
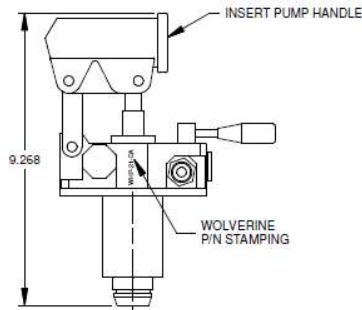
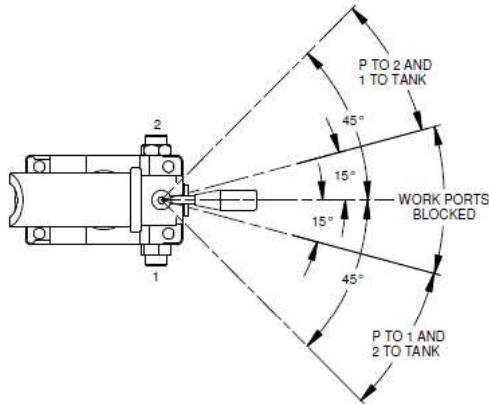
### FEATURES:

- Up to 3500 PSI Working Pressure
- "DA" Series have a built in Directional Control Valve
- 1.5 and 2.1 Cubic Inch Per Cycle (one up and one down)



## Hand Pumps – Double Acting Heads

MODEL No.	DESCRIPTION	SHIPPING WEIGHT (pounds)	LIST PRICE
WHP-15-DA	1.5 CUBIC INCH DOUBLE ACTING HEAD	10	249.00
WHP-21-DA	2.1 CUBIC INCH DOUBLE ACTING HEAD	10	276.00
240040088	HEAD / TANK SEAL KIT	1	41.00







# P U M P S

## Hand Pumps



### FEATURES:

- Steel tanks
- Mounting brackets standard feature
- Painted black
- Drain port 1/4 BSPP
- Fill port 3/8 BSPP

## Hand Pump Tanks

MODEL No.	DESCRIPTION	SHIPPING WEIGHT (pounds)	LIST PRICE
WHP-T-300	STEEL TANK, 300 CU IN. 1.3 GAL	7	100.00
WHP-T-180	STEEL TANK, 180 CU IN. 0.8 GAL	5	85.00
WHP-T-60	STEEL TANK, 60 CU IN. 0.25 GAL	4	71.00



# P U M P S

## Gear Pumps



### FEATURES:

- Reversible gear sets
- Cast iron front & back covers
- Viton seals available
- Working pressures up to 3600 PSI
- Customization available
  - Flanges
  - Shaft sizes
  - Flow control rear cover
- Double pumps: Available in WPA, WPB & WPC
- Maximum speed from 2500 to 4000 RPM using SAE 10W oil
- Displacement covers 0.27 in<sup>3</sup>/rev. to 4.48 in<sup>3</sup>/rev.
- Inlet pressure: Pump inlet should not exceed 5 in. of mercury vacuum or 14 PSI positive pressure
- Ports: SAE straight thread O-ring boss for WPA, WPB & WPC
- Working oil: A mineral based oil with additives to resist corrosion oxidation, & foaming is recommended. Viscosity at any running condition should be 60 SUS minimum & 250 SUS maximum. 180° F is the maximum recommended system operating temperature
- Filtration: Per ISO cleanliness code level 17/14/15 micron filtration for full PSI is recommended

## WP Gear Pumps

MODEL NUMBER	DISPLACEMENT CU IN/REV	RATED PRESSURE (PSI)	SHAFT TYPE	WT LBS.	LIST PRICE
† WPA06A2R	.4	3600	5/8 KEYED	7.7	454.00
† WPA06A3R	.4	3600	SAE 11T SPLINE	7.7	Call
† WPA06A9R	.4	3600	SAE 9T SPLINE	7.7	Call
† WPA08A2L	.5	3600	5/8 KEYED	7.9	Call
† WPA08A2R	.5	3600	5/8 KEYED	7.9	464.00
† WPA08A4R	.5	3600	3/4 KEYED	7.9	464.00
† WPA08A9L	.5	3600	SAE 9T SPLINE	7.9	464.00
† WPA08A9R	.5	3600	SAE 9T SPLINE	7.9	464.00
† WPA10A2L	.65	3600	5/8 KEYED	8.2	Call
† WPA10A2R	.65	3600	5/8 KEYED	8.2	471.00
† WPA10A4R	.65	3600	3/4 KEYED	8.2	471.00
† WPA11A2R	.68	3600	5/8 KEYED	8.3	474.00
† WPA11A9L	.68	3600	SAE 9T SPLINE	8.3	Call
† WPA11A9L-P150	.68	3600	SAE 9T SPLINE	8.5	Call
† WPA11A9R	.68	3600	SAE 9T SPLINE	8.3	474.00
† WPA14A2R	.84	3600	5/8 KEYED	8.5	479.00
† WPA14A4L	.84	3600	3/4 KEYED	8.5	Call
† WPA14A4R	.84	3600	3/4 KEYED	8.5	Call
† WPA14A9R	.84	3600	SAE 9T SPLINE	8.5	479.00
† WPA14D9R	.84	3600	SAE 9T SPLINE	8.5	Call
† WPA16A2L	1.01	3500	5/8 KEYED	8.8	496.00
† WPA16A2R	1.01	3500	5/8 KEYED	8.8	496.00
† WPA16A4R	1.01	3500	3/4 KEYED	8.8	496.00
† WPA16A9L	1.01	3600	SAE 9T SPLINE	8.8	Call
† WPA16A9R	1.01	3500	SAE 9T SPLINE	8.8	496.00
† WPA19A2L	1.18	3600	5/8 KEYED	9.2	Call
† WPA19A2R	1.18	3000	5/8 KEYED	9.2	508.00
† WPA19A4L	1.18	3000	3/4 KEYED	9.2	Call
† WPA19A9L	1.18	3000	SAE 9T SPLINE	9.2	508.00
† WPA19A9R	1.18	3000	SAE 9T SPLINE	9.2	508.00
† WPA23A2R	1.37	2750	5/8 KEYED	9.5	518.00
† WPA23A9L	1.37	2900	SAE 9T SPLINE	9.5	518.00
† WPA23A9R	1.37	2750	SAE 9T SPLINE	9.5	518.00
† WPA26A2R	1.58	2500	5/8 KEYED	10.1	525.00
† WPA26A9R	1.58	2500	SAE 9T SPLINE	10.1	Call

† NON-STOCKED ITEMS AVAILABLE AT STANDARD LEAD-TIME.

CHECK OUR PRINCE WEBSITE OR CONTACT YOUR SALES REP TO VERIFY IF NON-STOCKED ITEMS ARE STILL ON HAND FOR IMMEDIATE SHIPMENT.



# P U M P S

## WP Gear Pumps (continued)

MODEL NUMBER	DISPLACEMENT CU IN/REV	RATED PRESSURE (PSI)	SHAFT TYPE	WT LBS.	LIST PRICE
† WPB19A5R	1.16	3600	SAE 13T SPLINE	7.9	Call
† WPB22A6R	1.35	3600	7/8 KEYED	8.3	759.00
† WPB28A6R	1.68	3600	7/8 KEYED	9.9	776.00
† WPB32A6R	1.97	3300	7/8 KEYED	10.5	788.00
† WPB38A5L	2.32	2900	SAE 13T SPLINE	11	Call
† WPB38A5R	2.32	2900	SAE 13T SPLINE	11	Call
† WPB38A6R	2.32	2900	7/8 KEYED	11	818.00
† WPB44A5R	2.69	2500	SAE 13T SPLINE	11.7	Call
† WPB44A6R	2.69	2500	7/8 KEYED	11.7	830.00
† WPC21A5R-RD	1.26	3600	SAE 13T SPLINE	13	1118.00
† WPC27A6R-RD	1.65	3600	7/8 KEYED	13.5	Call
† WPC55A5R-RD	3.30	3200	SAE 13T SPLINE	15	1308.00
† WPC55A6R	3.30	3200	7/8 KEYED	15	1135.00
† WPC55A6R-RD	3.30	3200	7/8 KEYED	22.4	Call
† WPC65A5L	3.85	2900	SAE 13T SPLINE	15.5	1200.00
† WPC65A5L-RD	3.85	2900	SAE 13T SPLINE	15.5	Call
† WPC65A6L	3.85	2900	7/8 KEYED	15.5	1200.00
† WPC65A6R	3.85	2900	7/8 KEYED	15.5	1200.00
† WPC65A6R-RD	3.85	2900	7/8 KEYED	15.5	Call
† WPHL0616A2R	0.4 / 1.41	3600 / 600	5/8 KEYED	14	Call
† WPHL0823A2R	0.5 / 1.87	3600 / 600	5/8 KEYED	15	Call

SEAL KIT	LIST PRICE
PMCK-WPA	66.00
PMCK-WPB	66.00
PMCK-WPC	73.00

† NON-STOCKED ITEMS AVAILABLE AT STANDARD LEAD-TIME.

CHECK OUR PRINCE WEBSITE OR CONTACT YOUR SALES REP TO VERIFY IF NON-STOCKED ITEMS ARE STILL ON HAND FOR IMMEDIATE SHIPMENT.



# P U M P S

## WPA A Flange Gear Pumps Specifications & Dimensional Data

WPA 08 A 4 R

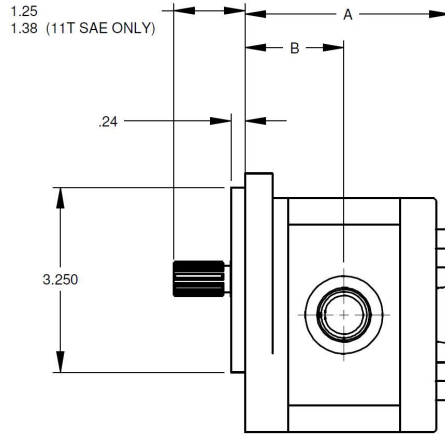
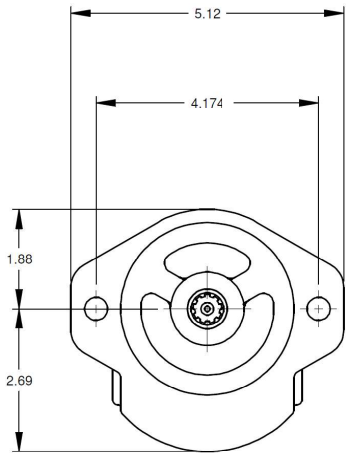
DISPLACEMENT CODE	CC / REV	CU. IN. / REV	CONTINUOUS PSI	RATED SPEED (RPM)	INLET PORT SIZE	OUTLET PORT SIZE	"A"	"B"
04	4.6	0.27	3600	4000	#12 SAE	#10 SAE	3.50	1.68
06	6.5	0.40	3600	4000	#12 SAE	#10 SAE	3.60	1.73
08	8.2	0.50	3600	3500	#12 SAE	#10 SAE	3.62	1.79
10	10.6	0.65	3600	3500	#12 SAE	#10 SAE	3.73	1.86
11	11.5	0.68	3600	3500	#12 SAE	#10 SAE	3.87	1.92
12	12.5	0.77	3600	3500	#12 SAE	#10 SAE	3.93	1.95
14	13.8	0.84	3600	3500	#12 SAE	#10 SAE	4.00	2.00
16	16.6	1.01	3600	3000	#12 SAE	#10 SAE	4.15	2.08
19	19.4	1.18	3200	3000	#12 SAE	#10 SAE	4.31	2.24
23	22.9	1.37	2900	2750	#12 SAE	#10 SAE	4.63	2.34
26	25.8	1.58	2600	2500	#12 SAE	#10 SAE	4.84	2.46

ROTATION (FACING END OF SHAFT)	
L	(COUNTER CLOCKWISE)
R	(CLOCKWISE)

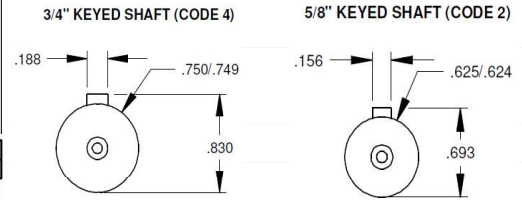
SHAFT CODE	SHAFT TYPE
9	9 T SAE SPLINE
2	SAE 5/8" STRAIGHT KEYED
3	11 T SAE SPLINE
4	3/4" STRAIGHT KEYED

PORT LOCATION CODE	PORT LOCATION
A	SIDE INLET AND OUTLET
C*	BOTH SIDE AND REAR PORTS W/ STEEL PLUGS
D*	REAR INLET AND OUTLET

\* ADD 0.35" FOR LENGTH "A" FOR REAR PORTS



### SHAFT OPTIONS



### SPLINED SHAFT OPTIONS

- |   |  |
|---|--|
| SHAFT CODE 9<br>9 TOOTH SAE<br>16/32 DP<br>30° PA | SHAFT CODE 3<br>11 T SAE<br>16/32 DP<br>30° PA |
|---|--|

## WPA Performance Data

MODEL		RPM								PRESSURE (PSI)
		500	1000	1500	2000	2500	3000	3500	4000	
WPA06	FLOW (GPM)	0.73	1.54	2.37	3.16	3.99	4.84	5.65	6.45	3600
	INPUT HP	2.07	4.13	6.20	8.26	10.33	12.39	14.46	16.52	
WPA08	FLOW (GPM)	0.92	1.95	2.99	3.98	5.03	6.10	7.12		
	INPUT HP	2.61	5.21	7.82	10.42	13.03	15.63	18.24		
WPA10	FLOW (GPM)	1.19	2.52	3.86	5.15	6.51	7.89	9.21		
	INPUT HP	3.37	6.74	10.11	13.47	16.84	20.21	23.58		
WPA11	FLOW (GPM)	1.32	2.79	4.28	5.71	7.22	8.76	10.21		
	INPUT HP	3.74	7.47	11.21	14.95	18.69	22.42	26.16		
WPA14	FLOW (GPM)	1.55	3.28	5.03	6.70	8.47	10.27	11.99		
	INPUT HP	4.39	8.77	13.16	17.54	21.93	26.31	30.70		
WPA16	FLOW (GPM)	1.86	3.94	6.05	8.06	10.19	12.36			
	INPUT HP	5.28	10.55	15.83	21.10	26.38	31.65			
WPA19	FLOW (GPM)	2.18	4.61	7.07	9.42	11.91	14.44			
	INPUT HP	5.43	10.85	16.28	21.70	27.13	32.55			
WPA23	FLOW (GPM)	2.57	5.44	8.34	11.12	14.06				
	INPUT HP	5.82	11.64	17.46	23.29	29.11				
WPA26	FLOW (GPM)	2.89	6.13	9.40	12.53	15.84				
	INPUT HP	5.90	11.81	17.71	23.61	29.51				



# P U M P S

## WPB B Flange Gear Pumps Specifications & Dimensional Data

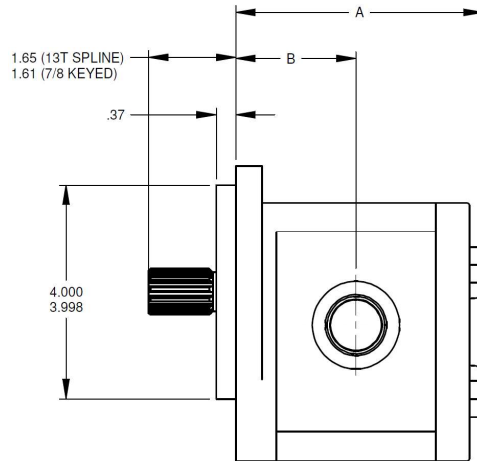
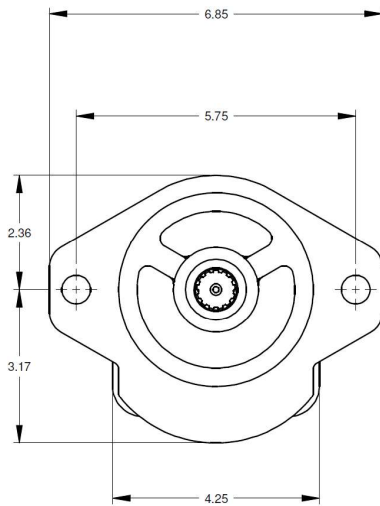
**WPB 38 A 5 R**

DISPLACEMENT CODE	CU. IN. / REV	CONTINUOUS PSI	RATED SPEED (RPM)	INLET PORT SIZE	OUTLET PORT SIZE	"A"	"B"
16	0.97	3600	3000	SAE #12	SAE #10	4.45	2.05
19	1.16	3600	3000	SAE #12	SAE #10	4.53	2.13
22	1.35	3600	3000	SAE #12	SAE #10	4.66	2.2
25	1.53	3600	3000	SAE #16	SAE #12	4.95	2.35
28	1.68	3600	3000	SAE #16	SAE #12	5.25	2.5
32	1.97	3300	3000	SAE #16	SAE #12	5.47	2.61
38	2.32	2900	2750	SAE #16	SAE #12	5.77	2.72
44	2.69	2450	2500	SAE #16	SAE #12	6.02	2.9

ROTATION (FACING END OF SHAFT)	
L	(COUNTER CLOCKWISE)
R	(CLOCKWISE)

SHAFT CODE	SHAFT TYPE
5	SAE 13 TOOTH SPLINE
6	SAE 7/8" KEYED STRAIGHT

PORT LOCATION CODE	PORT LOCATION
A	SIDE INLET AND OUTLET
C	BOTH SIDE AND REAR PORTS W/ STEEL PLUGS
D	REAR INLET AND OUTLET

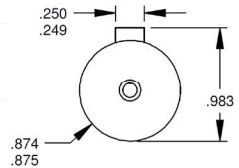


### SHAFT OPTIONS

SHAFT CODE 5

SAE 13T SPLINE  
16/32 DP  
30° PA

SHAFT CODE 6  
7/8" STRAIGHT KEYED



## WPB Performance Data

MODEL		RPM						PRESSURE
		500	1000	1500	2000	2500	3000	(PSI)
WPB19	FLOW (GPM)	2.17	4.59	7.03	9.38	11.85	14.37	3600
	INPUT HP	6.13	12.27	18.40	24.53	30.67	36.80	
WPB22	FLOW (GPM)	2.49	5.27	8.09	10.78	13.63	16.53	
	INPUT HP	7.05	14.11	21.16	28.22	35.27	42.33	
WPB28	FLOW (GPM)	3.10	6.56	10.06	13.41	16.94	20.55	
	INPUT HP	8.77	17.54	26.31	35.08	43.85	52.62	
WPB32	FLOW (GPM)	3.64	7.70	11.80	15.74	19.89	24.12	
	INPUT HP	9.47	18.94	28.42	37.89	47.36	56.83	
WPB38	FLOW (GPM)	4.27	9.05	13.88	18.51	23.39		3000
	INPUT HP	9.69	19.37	29.06	38.74	48.43		
WPB44	FLOW (GPM)	4.96	10.50	16.10	21.47	27.13		2500
	INPUT HP	9.55	19.10	28.65	38.20	47.76		



# P U M P S

## WPC B Flange Gear Pumps Specifications & Dimensional Data

WPC 44 A 5 R

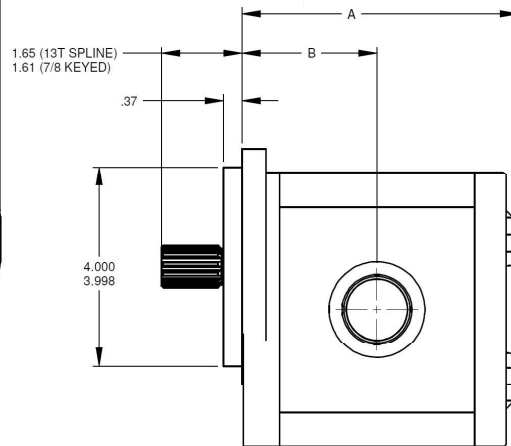
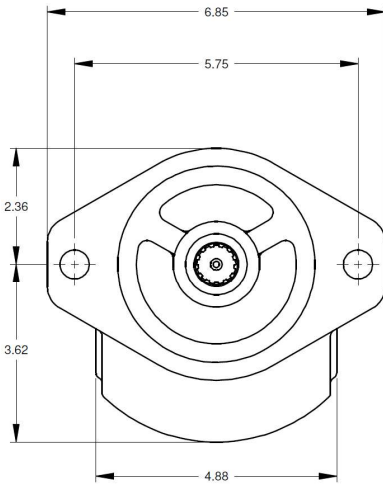
DISPLACEMENT CODE	CU. IN. / REV	CONTINUOUS PSI	RATED SPEED (RPM)	INLET PORT SIZE	OUTLET PORT SIZE	"A"	"B"
21	1.26	3600	3000	SAE #16	SAE #12	5.06	2.33
27	1.65	3600	3000	SAE #16	SAE #12	5.26	2.43
33	2.04	3600	3000	SAE #16	SAE #12	5.46	2.52
38	2.36	3600	2750	SAE #16	SAE #12	5.61	2.60
46	2.86	3600	2750	SAE #20	SAE #16	6.24	2.92
55	3.3	3200	2500	SAE #20	SAE #16	6.43	3.04
65	3.85	2900	2500	SAE #20	SAE #16	6.75	3.17
75	4.48	2600	2500	SAE #20	SAE #16	7.03	3.31

ROTATION (FACING END OF SHAFT)	
L	(COUNTER CLOCKWISE)
R	(CLOCKWISE)

SHAFT CODE	SHAFT TYPE
5	SAE 13 TOOTH SPLINE
6	SAE 7/8" KEYED STRAIGHT
7	SAE 15 TOOTH SPLINE

PORT LOCATION CODE	PORT LOCATION
A	SIDE INLET AND OUTLET
C	BOTH SIDE AND REAR PORTS W/ STEEL PLUGS*

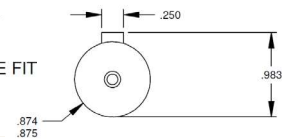
\* ADD 0.14" TO LENGTH "A" FOR REAR PORTS



### SHAFT OPTIONS

SHAFT CODE 5  
SAE 13T SPLINE  
16/32 DP  
30° PA  
FLAT ROOT SIDE FIT

SHAFT CODE 6  
7/8" STRAIGHT KEYED



## WPC Performance Data

MODEL		RPM					PRESSURE (PSI)
		500	1000	1500	2000	2500	
WPC55	FLOW (GPM)	6.07	12.85	19.71	26.28	33.21	3300
	INPUT HP	15.13	30.26	45.39	60.51	75.64	
WPC65	FLOW (GPM)	7.08	14.99	22.99	30.65	38.73	3000
	INPUT HP	16.04	32.08	48.12	64.17	80.21	



# P U M P S

## Aluminum / Cast Iron Center PTO Pumps



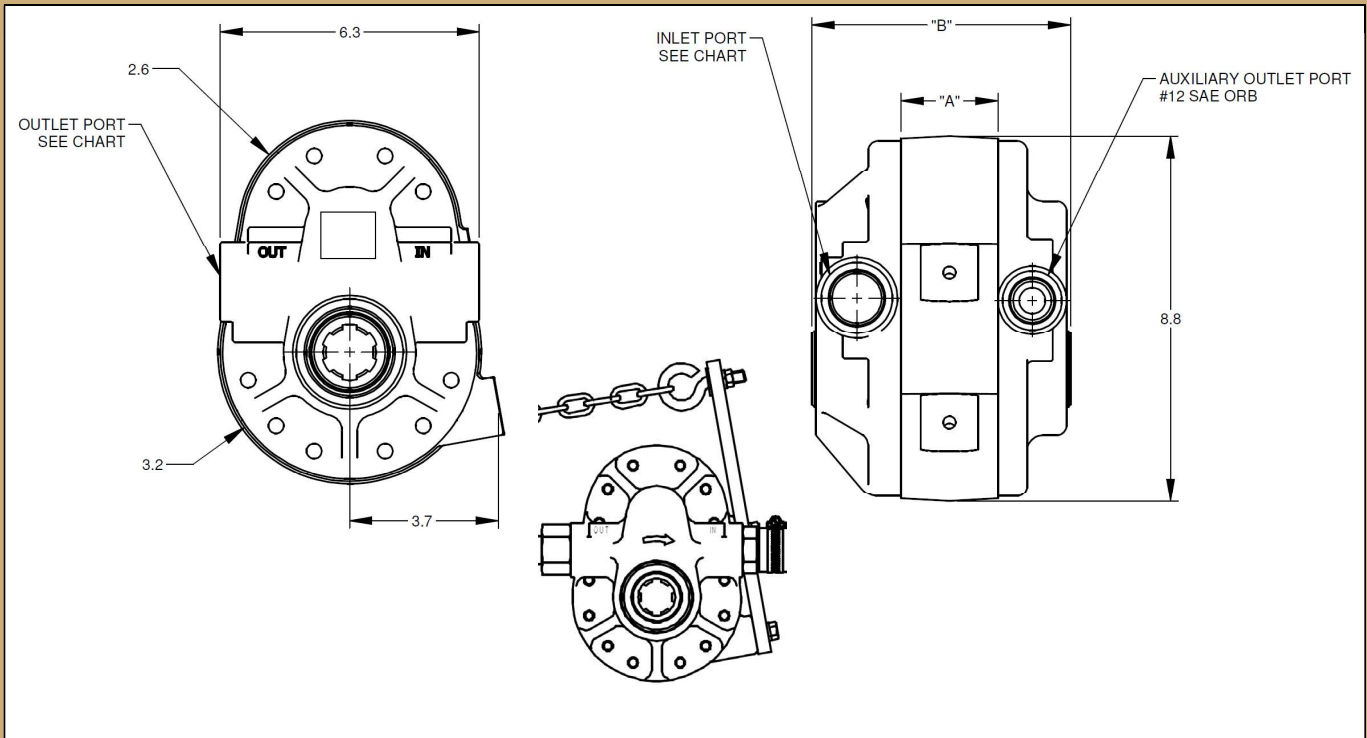
### FEATURES:

- Cast iron end plates with aluminum center section
- Self-adjusting wear plates
- Tapped holes for a torque arm kit to prevent pump rotation
- Hose barb for inlet port & NPT adapter for outlet port
- Slips onto tractor PTO shaft (no gear box required)

MODEL NUMBER	DISPLACEMENT CU. IN/REV	RPM	DRIVE SHAFT	INLET PORT	OUTLET PORT	"A"	"B"	GPM OUTPUT (Full RPM)	INLET ADAPTER	WT. LBS.	LIST PRICE
WP-PTO-1A *	9.8	540	6 TOOTH	SAE #16	SAE #12	2.4	6.3	21	1 1/4"	45	1044.00
WP-PTO-2A *	5.5	540	6 TOOTH	SAE #16	SAE #12	1.6	5.6	11	1"	41	854.00
WP-PTO-7A *	3.6	540	6 TOOTH	SAE #16	SAE #12	1.3	5.2	7	1"	37	854.00
WP-PTO-8A *	3.6	1000	21 TOOTH	SAE #16	SAE #12	1.3	5.2	13	1"	38	854.00
WP-PTO-9A *	7.6	540	6 TOOTH	SAE #16	SAE #12	2.0	6.0	17	1 1/4"	43	854.00
WP-PTO-K11 **	9.8	1000	21 TOOTH	SAE #20	SAE #16	2.4	6.3	40	2"	45	925.00
WP-PTO-1AC *	9.8	540	6 TOOTH	SAE #16	SAE #12	2.4	6.3	21	1 1/4"	51	925.00
WP-PTO-2AC *	5.5	540	6 TOOTH	SAE #16	SAE #12	1.6	5.6	11	1"	45	1110.00
WP-PTO-K11C **	9.8	1000	21 TOOTH	SAE #20	SAE #16	2.4	6.3	40	2"	51	1110.00

\*\* Ports on the WP-PTO-K11 & WP-PTO-K11C are located facing rear of the pump

SEAL KITS	LIST PRICE
PMCK-WP-PTO-SS *	42.00
PMCK-WP-PTO-RR **	42.00





## PRINCE MANUFACTURING CORPORATION TERMS AND CONDITIONS

1. **Warranty:** Prince warrants only standard and custom products of its manufacture to be free from defects in materials or workmanship under normal use for the time periods set forth below.
  - Standard Prince product (listed in Prince's standard products catalog) is warranted for 36 months from the date of purchase by Prince's customer or 30 months from the date the product is first put into service, whichever is earlier.
  - Wolverine standard products are warranted for 15 months from the date of purchase by Prince's customer or 12 months from the date the product is first put into service, whichever is earlier.
  - Custom product is warranted for 15 months from the date of purchase by Prince's customer or 12 months from the date the product is first put into service, whichever is earlier.

Prince's obligation is to repair or replace free of charge or give credit for any part of its product that its inspection shows to be defective including the lowest roundtrip transportation charges from Prince's customer to North Sioux City, South Dakota, and return, but excluding all transportation costs from Prince's customer to its customer and all other costs such as removal and installation expenses.

Prince shall not be liable for loss of time, manufacturing costs, labor, material, loss of profits, or any other consequential damages caused directly or indirectly by defective products, whether or not such claim is based on contract, tort, warranty, or other legal basis.

Written permission for any warranty claim return must be first obtained from authorized Prince personnel. All returns must be accompanied with a complete written explanation of claimed defects and the circumstances of failure.

**PRODUCTS MANUFACTURED OR SOLD BY PRINCE ARE NOT WARRANTED EXPRESSLY OR BY IMPLICATION FOR MERCHANTABILITY OR FITNESS FOR A PARTICULAR PURPOSE, NOTWITHSTANDING ANY DISCLOSURE TO PRINCE OF THE USE TO WHICH THE PRODUCT IS TO BE PUT. THIS EXPRESS WARRANTY IS THE SOLE WARRANTY OF PRINCE. THERE ARE NO WARRANTIES WHICH EXTEND BEYOND THE WARRANTY EXPRESSLY SET FORTH IN THIS DOCUMENT. THE SALE OF PRODUCTS OF PRINCE UNDER ANY OTHER WARRANTY OR GUARANTEE, EXPRESS OR IMPLIED, IS NOT AUTHORIZED.**

(This warranty voids all previous issues.)
2. **Cancellation:** This agreement is not subject to cancellation, complete or partial, without Seller's written consent. Cancellation must be done 60 days prior to ship date. Any reduction in quantities ordered shall constitute partial cancellation subject to this clause. When Seller consents to cancellation, settlement shall be made on the following basis:
  - (A) Buyer will pay to Seller upon delivery, full purchase price of all articles completed at the time Seller agrees to cancellation.
  - (B) If Seller elects to complete that part of all the articles scheduled for delivery within 30 days of such date, the full purchase price of such articles will be paid.
  - (C) Buyer will further pay to Seller a percentage of purchase price of remaining articles, equivalent to percentage of completion thereof as determined by Seller's normal cost accounting methods.
  - (D) Buyer will also pay the full costs of materials, dies, patterns and equipment made or contracted specifically for Buyer's order.
  - (E) Invoices for all cancellation charges are payable promptly upon presentation.
  - (F) If within 30 days from the presentation of such invoice Buyer does not instruct Seller as to the disposition of the material. etc., arising from the cancellation, Seller may sell the same, crediting Buyer with the proceeds.
  - (G) Buyer will also pay the reasonable costs and expenses incurred by Seller in making a settlement hereunder and in protecting property in which Buyer has interest.

Seller will defer manufacture or delivery of any articles only if and to the extent agreed to in writing.
3. **Sellers Rights:** The acceptance of this order is subject to the approval of Seller's credit department. If Buyer fails to fulfill the terms of payment of this or any other present or future orders, from Buyer to Seller, Seller may defer further shipments until such payments are made or may at its option cancel this order. Seller reserves the right, even after partial shipment on account of this order, to require from Buyer satisfactory security for the performance of Buyer's obligations. Refusal to furnish such security will entitle Seller to suspend shipments until such security is furnished or to cancel this order.
4. **Pricing and Billing:** Each shipment against this contract will be priced and billed separately, in accordance with seller's published prices or special quotation in effect at the same time of the respective shipments.
5. **Taxes:** Prices do not include any present or future applicable federal, state, or local sales, use, excise, manufacturing, processing or importation tax, or any other tax or charge, that is or may be imposed on the articles or services covered hereby or on subsidiary articles or material incorporated therein. Any such taxes shall be paid promptly by the Buyer unless prohibited by law. Such taxes may be billed separately if levied after shipment. In all events, Buyer agrees to identify and to hold Seller harmless from any and all of such taxes.
6. **Delivery:** Unless otherwise stated, delivery will be made F.O.B. Seller's manufacturing plant. Risk of loss shall pass to Buyer at point of shipment. Seller shall have the right to choose means of transportation and to route shipments when specific instructions are not provided for herein by Buyer. In all events Buyer will pay for all freight, handling, storage, insurance and all other expenses from the time of shipment and if advanced by Seller shall have no liability whatsoever, nor shall this order be subject to cancellation, for any delay in delivery due to act of God or civil or military authority, fire, labor disturbance, war, insurrection or riot, failure of or delay in transportation, unusually severe weather, default of a supplier or subcontractor, or due to any other cause beyond the Seller's reasonable control. In the event of such a delay for any cause, the specified delivery date shall be extended for a length of time equal to the period of delay.
7. **Shipping Charges:** All delivered prices or prices with freight allowed are based upon prevailing freight rates and if the latter are increased or decreased such prices on all unshipped tonnage shall be increased or decreased accordingly. **It has been and continues to be the policy of Prince Manufacturing Corporation that we do NOT pay any freight charges (air, rail, truck, UPS, parcel post & etc.) for late delivery for any reason.**
8. **Terms:** Invoices are due and payable 30 days from date of invoice unless special payment terms have been agreed to between buyer and seller.
9. **Delay in Performance:** In the event of any delay in Seller's performance due to fire, explosion, strike or other differences with workmen, shortage of utility services, facility, material or labor, delay in transportation, breakdown or accident, compliance with or other action taken to carry out the intent or purpose of any law or regulation or any cause beyond Seller's reasonable control, Seller shall have such additional time within which to perform this contract as may be reasonably necessary under the circumstances and shall have the right to apportion its production among its customers in such manner as it may consider to be equitable.
10. **Overruns:** All special orders, other than standard series units, are subjected to overruns and underruns of not greater than 10%.
11. **Alteration of Terms or Conditions:** This quote, offer, or order acknowledgment is limited to the terms and conditions set forth herein. Prince hereby objects to any additional or different terms and conditions proposed by Buyer in any proposal, quotation, order acknowledgment or other document. Any such proposed terms and conditions shall be void and the terms and conditions herein shall constitute the complete and exclusive statement of the terms and conditions of the contract between the parties. No terms or conditions, other than those set forth by Prince, and no agreement or understanding, oral or written in anyway purporting to modify Prince's terms or conditions, whether contained in Buyer's purchase or shipping release forms, or elsewhere, shall be binding on Prince unless hereafter made in writing and signed by its authorized representative.
12. **Approval:** Unless agreed to by both parties, Seller will assume that this contract is entirely satisfactory and meets with Buyer's full approval.





# SALES STAFF

## **Sr. VP – Sales & Marketing**

Scott Knaack  
605-217-6205 (direct)  
Email: [knaacks@princehyd.com](mailto:knaacks@princehyd.com)

## **Regional Sales Managers**

### ***OEM***

Scott Knaack  
605-217-6205 (direct)  
Email: [knaacks@princehyd.com](mailto:knaacks@princehyd.com)

Brennan Riedemann  
605-217-6206 (direct)  
Email: [riedemannb@princehyd.com](mailto:riedemannb@princehyd.com)

Austin Lingle  
605-217-6291 (direct)  
Email: [austinlingle@princehyd.com](mailto:austinlingle@princehyd.com)

Jim Brinkerhoff  
817-975-9851 (cell)  
Email: [brinkerhoffj@princehyd.com](mailto:brinkerhoffj@princehyd.com)

Grady Nelson  
605-217-6264 (direct)  
Email: [gradynelson@princehyd.com](mailto:gradynelson@princehyd.com)

### ***Distributor***

Gary Flammang  
605-217-6207 (direct)  
Email: [flammangg@princehyd.com](mailto:flammangg@princehyd.com)

## **Customer Service**

Patty Pulford  
605-217-6246 (direct)  
Email: [pulfordp@princehyd.com](mailto:pulfordp@princehyd.com)

Rhonda Hattig  
605-217-6244 (direct)  
Email: [hattigr@princehyd.com](mailto:hattigr@princehyd.com)

Mike Bocian, Manager  
605-217-6265 (direct)  
Email: [bocianm@princehyd.com](mailto:bocianm@princehyd.com)



# **PRINCE MANUFACTURING CORPORATION**

PRINCE MANUFACTURING CORPORATION • 612 NORTH DERBY LANE • NORTH SIOUX CITY, SD 57049  
PH: 605-235-1220 • FAX: 605-235-1082 • URL: [www.princehyd.com](http://www.princehyd.com)