



V A L V E S

Mono-Block Directional Control Valves



FEATURES:

- 1-6 spool mono-block
- 3500 PSI rating
- #8 SAE O-ring in/out Ports
- #8 SAE O-ring work ports
- Interchangeable motor spool
- Load check
- Parallel cylinder spools
- Adjustable relief
- Enclosed handle design
- Open center – field convertible to power beyond & closed center included
- Low spool leakage (3cc/min @ 1500 PSI)
- Hardened steel spools

MB Mono-Block Directional Control Valve Assemblies

VALVE MODEL NO.	NO. OF SPOOLS	SPOOL TYPE, ACTION	WEIGHT (POUNDS)	LIST PRICE
MB11B5C1	1	4 WAY 3 POSITION, SPRING CENTER TO NEUTRAL, ALL SPOOLS	6.9	208.00
MB11C5C1	1	4 WAY 3 POSITION MOTOR, 3 POSITION DETENT, ALL SPOOLS	7.2	255.00
+MB11G5C1	1	4 WAY 4 POSITION FLOAT, SPRING CENTER W/FLOAT DETENT	7.2	Call
MB21BB5C1	2	4 WAY 3 POSITION, SPRING CENTER TO NEUTRAL, ALL SPOOLS	9.7	319.00
MB21GB5C1	2	4 WAY 4 POSITION FLOAT, SPRING CENTER W/FLOAT DETENT, 1 ST SPOOL 4 WAY 3 POSITION, SPRING CENTER TO NEUTRAL, 2 ND SPOOL	10.2	448.00
MB31BBB5C1	3	4 WAY 3 POSITION, SPRING CENTER TO NEUTRAL, ALL SPOOLS	12.8	518.00
MB41BBBB5C1	4	4 WAY 3 POSITION, SPRING CENTER TO NEUTRAL, ALL SPOOLS	16.1	582.00
MB51BBBBB5C1	5	4 WAY 3 POSITION, SPRING CENTER TO NEUTRAL, ALL SPOOLS	19.2	711.00
MB61BBBBBB5C1	6	4 WAY 3 POSITION, SPRING CENTER TO NEUTRAL, ALL SPOOLS	22.2	842.00

MB Mono-Block Directional Control Valve Parts

PART NO.	DESCRIPTION
612000001	3 WAY TANDEM SPOOL (single acting)
612100001	MOTOR SPOOL
660170055	HANDLE WITH KNOB
660170056	GLASS FILLED NYLON ENCLOSED HANDLE HOUSING
660170057	SPRING CENTER KIT
660170058	THREE POSITION DETENT KIT
660170060	ALUMINUM ENCLOSED HANDLE HOUSING
660170061	JOYSTICK KIT (field installable)
660270005	RELIEF VALVE (2000-3500)
660270006	NO RELIEF PLUG
660570003	SEAL KIT
670300133	580 – 1160 PSI RELIEF SPRINGS
670300134	913 – 2900 PSI RELIEF SPRINGS
670400111	HANDLE KNOB
671400306	ALUMINUM END CAP WITH SCREWS
671400307	GLASS FILLED NYLON END CAP WITH SCREWS
671900122	POWER BEYOND PLUG / CLOSED CENTER PLUG

† NON-STOCKED ITEMS AVAILABLE AT STANDARD LEAD-TIME.

CHECK OUR PRINCE WEBSITE OR CONTACT YOUR SALES REP TO VERIFY IF NON-STOCKED ITEMS ARE STILL ON HAND FOR IMMEDIATE SHIPMENT.

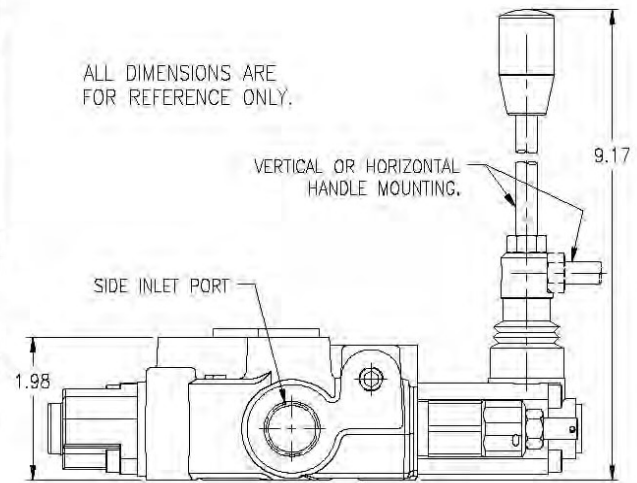
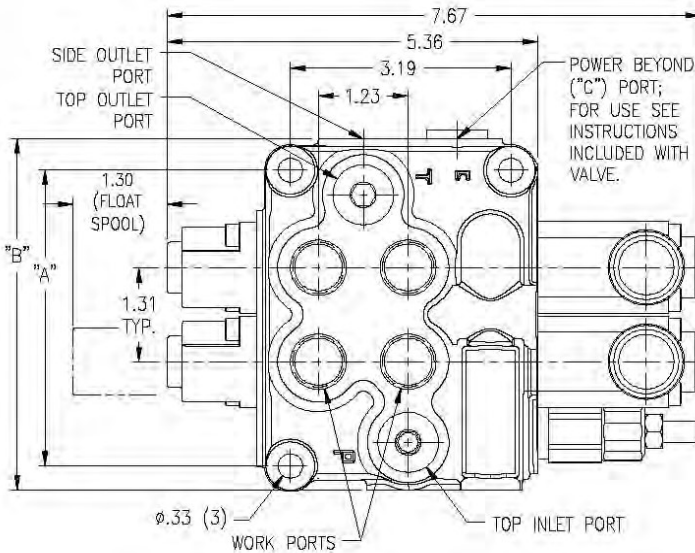


V A L V E S

MB Specifications and Dimensional Data

MAXIMUM OPERATING PRESSURE 3500 PSI
 MAXIMUM POWER BEYOND PRESSURE 3000 PSI
 MAXIMUM TANK PRESSURE 500 PSI
 NOMINAL FLOW RATING 8 GPM
 MAXIMUM OPERATING TEMPERATURE 180° F

STRAIGHT HANDLE LENGTH: 5.8 INCHES
 FILTRATION RECOMMENDATIONS: ISO 4406 19 / 17 / 14
 SPOOL SEALS IN INTERNAL O-RING GROOVES
 HIGH PRESSURE ADJUSTABLE RELIEF ADJUSTMENT RANGE
 2000-3500 PSI (PRESET TO 2500 PSI @ 6 GPM)



ALL DIMENSIONS ARE FOR REFERENCE ONLY.

INLET AND OUTLET PORTS: #8 SAE/ORB (3/4-16UNF-2B)
 ALL WORK PORTS: #8 SAE/ORB (3/4-16UNF-2B)
 POWER BEYOND PORT: #8 SAE/ORB (3/4-16UNF-2B)

NUMBER OF SPOOLS:

	1	2	3	4	5	6
"A"	2.87	4.33	5.79	7.24	8.70	10.16
"B"	3.78	5.16	6.62	8.07	9.53	10.99

Performance Curves

