



V A L V E S

In-Line Needle Valves



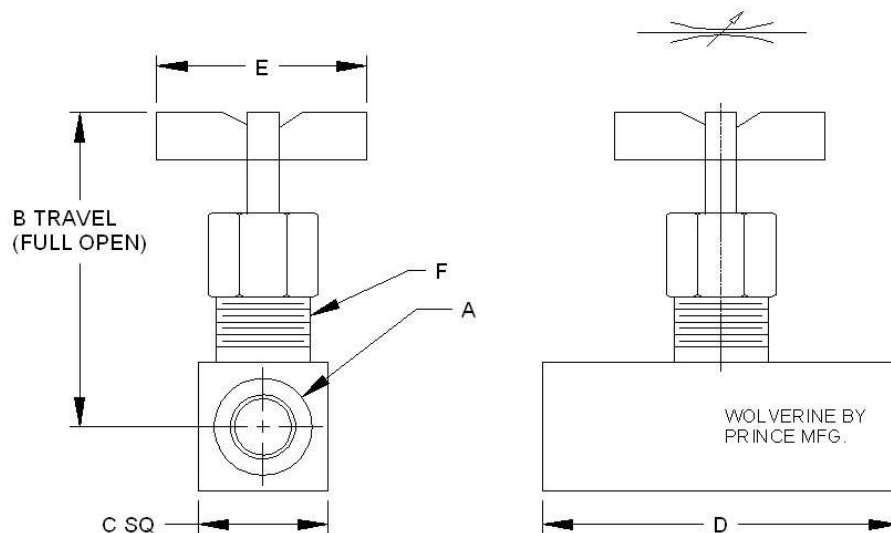
FEATURES:

- Carbon steel body
- Designed to provide precision flow control
- Operating temp range -20°F through 210°F

In-Line Needle Valves

MODEL No.	PORT SIZE	MAX PSI	MAX FLOW	SHIPPING WEIGHT	LIST PRICE
WNV-600	3/8" NPTF	5,000 PSI	8 GPM	1.0	69.00
+ WNV-800	1/2" NPTF	5,000 PSI	16 GPM	1.8	Call

MODEL NO.	MAX FLOW	MAX PSI	A	B	C	D	E	F
WNV-600	8 GPM	5000	3/8 NPTF	4.2	1	2.5	2.5	M22-1.5
WNV-800	16 GPM	5000	1/2 NPTF	5.1	1.25	2.62	3.25	M28-1.5



† NON-STOCKED ITEMS AVAILABLE AT STANDARD LEAD-TIME.

CHECK OUR PRINCE WEBSITE OR CONTACT YOUR SALES REP TO VERIFY IF NON-STOCKED ITEMS ARE STILL ON HAND FOR IMMEDIATE SHIPMENT.