



V A L V E S

20 Gallon **H** Heavy Duty Sectional Valves

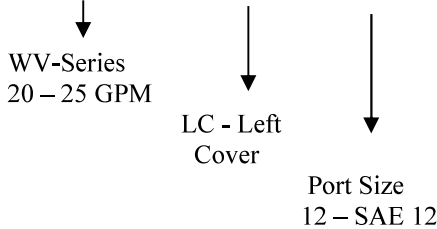


FEATURES:

- Replaces Parker/Gresen V20 & Prince Series 20 valves
- Circuit: Parallel/Open center/Closed center
- Capacity: 25 gpm nominal
- Max Operating Pressure: 3500 psi SAE ports only
- Max Tank Pressure: 500 psi
- Adjustable relief
- Seals are included with each work section
- Inlet/outlet #12 SAE port
- Work ports #10 SAE port
- Black Phosphate Coating

Inlet Sections

WV20 - LC - 12



Approximate Weight (Lbs.)

Part	Inlet	Outlet	Work Section
WV20	7	4	10

Inlet Sections

PART NUMBER	DESCRIPTION	REPLACEMENT FOR GRESN		LIST PRICE
		MODEL NO.	PART NO.	
WV20-LC-12	INLET COVER BODY ONLY / PORT SIZE #12 SAE	20-LC-12	8650029	191.00
WV20-WH-1700	SHIM ADJUSTABLE 1250-1749 SET @ 1700 PSI	WH-1700	8650418	76.00
WV20-WH-1950	SHIM ADJUSTABLE 1750-1999 SET @ 1950 PSI	WH-1950	8650419	76.00
WV20-WH-2550	SHIM ADJUSTABLE 2000-2599 SET @ 2550 PSI	WH-2550	8650420	76.00
WV20-HRP51A-2000	ADJUSTABLE 500-3500 SET @ 2000 PSI	RP51A-2000	8650421	76.00
WV20-HRP51A-3000	ADJUSTABLE 500-3500 SET @ 3000 PSI	RP51A-3000	8650421	76.00
WV20-K-NR	NO RELIEF PLUG	K-20-NR	8650382	22.00

Note: For complete inlet must order inlet body and main relief cartridge.

Work Sections

PART NUMBER	DESCRIPTION	REPLACEMENT FOR GRESN	LIST PRICE
WV20-10-03	3 WAY 3 POSITION SINGLE ACTING W/SPRING RETURN / #10 SAE WORK PORTS	20-10-03	310.00
WV20-10-04	4 Way 3 POSITION DOUBLE ACTING W/SPRING RETURN / #10 SAE WORK PORTS	20-10-04	315.00
WV20-10-D4	4 Way 3 POSITION W/3 POSITION DETENT / #10 SAE WORK PORTS	20-10-D4	327.00
WV20-10-DF4	4 WAY 3 POSITION MOTOR SPOOL W/3 POSITION DETENT / #10 SAE WORK PORTS	20-10-DF4	325.00
WV20-10-F4	4 WAY 3 POSITION FREE FLOW MOTOR W/SPRING RETURN / #10 SAE WORK PORTS	20-10-F4	308.00

Note: O-rings for between sections included with ordering a work section.

Note: Handles are NOT included with work sections, see page 12.

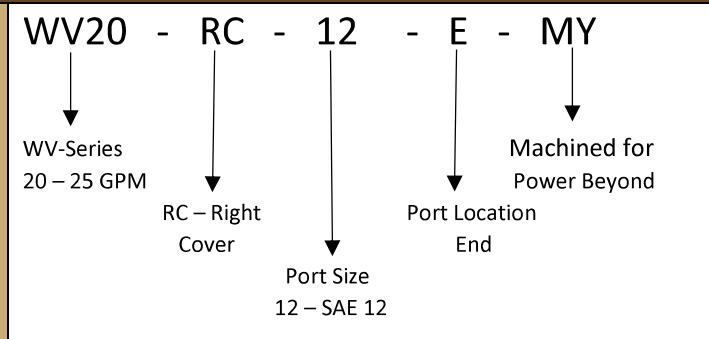


V A L V E S

Work Port Accessories

PART NUMBER	REPLACEMENT FOR GRESEN	RELIEF VALVE	RELIEF & ANTI-CAVITATION CHECK	ANTI-CAVITATION CHECK	500-1249 SET @ 1200 PSI	1250-1749 SET @ 1700 PSI	1750-1999 SET @ 1950 PSI	2000-2599 SET @ 2550 PSI	LIST PRICE
WV20-CRA-1200	CRA-A-1200		X		X				71.00
WV20-CRA-1700	CRA-A-1700		X			X			71.00
WV20-CRA-1950	CRA-A-1950		X				X		71.00
WV20-CRA-2550	CRA-A-2550		X					X	71.00
WV20-RC-500	RC-A-500	X			X				61.00
WV20-RC-1200	RC-A-1200	X			X				61.00
WV20-RC-1700	RC-A-1700	X				X			61.00
WV20-RC-1950	RC-A-1950	X					X		61.00
WV20-RC-2550	RC-A-2500	X						X	61.00
WV20-K-AC	K-20-AC			X					35.00

Outlet Sections



Outlet Covers

PART NUMBER	DESCRIPTION	REPLACEMENT FOR GRESEN	PORT SIZE & LOCATION # 12 SAE	LIST PRICE
WV20-RC-12-E (Body)	OPEN CENTER W/NO POWER BEYOND OPTION	20-RC-12-E	END	113.00
WV20-RC-12-E-MY (Body)	OPEN CENTER W/ POWER BEYOND CAPABILITY	20-RC-E-MY	END	113.00
WV20-K-10-Y	#10 SAE POWER BEYOND SLEEVE	K-20-10-Y		27.00
WV20-K-C	CLOSED CENTER PLUG	K-20-C		20.00
WV20-K-X	CONVERSION PLUG	K-20-X		13.00



V A L V E S

Handle Options

PART NUMBER	DESCRIPTION	REPLACEMENT FOR GRESEN	LIST PRICE
WV20-K-HH-B	HORIZONTAL HANDLE & LINKAGE KIT (BLACK)	K-20-HH-B	25.00
WV20-K-VH-B	VERTICAL HANDLE & LINKAGE KIT (BLACK)	K-20-VH-B	25.00

Stud Kits

PART NUMBER	DESCRIPTION	REPLACEMENT FOR GRESEN	LIST PRICE
WV20-K-1	1 WORK SECTION STUD KIT	K-20-1	13.00
WV20-K-2	2 WORK SECTION STUD KIT	K-20-2	15.00
WV20-K-3	3 WORK SECTION STUD KIT	K-20-3	18.00
WV20-K-4	4 WORK SECTION STUD KIT	K-20-4	25.00
WV20-K-5	5 WORK SECTION STUD KIT	K-20-5	25.00
WV20-K-6	6 WORK SECTION STUD KIT	K-20-6	32.00
WV20-K-7	7 WORK SECTION STUD KIT	K-20-7	35.00
WV20-K-8	8 WORK SECTION STUD KIT	K-20-8	35.00

Spool Positioners

PART NUMBER	DESCRIPTION	REPLACEMENT FOR GRESEN	LIST PRICE
WV20-K-D	3 POSITION DETENT	K-20-D	22.00
WV20-K-PA1	PNEUMATIC SPOOL POSITIONER KIT	K-20-PA-1	169.00
WV20-K-R	SPOOL "IN" DETENT w/ SPRING RETURN TO NEUTRAL	K-20-R	100.00
WV20-K-RO	SPOOL "OUT" DETENT w/ SPRING RETURN TO NEUTRAL	K-20-RO	100.00

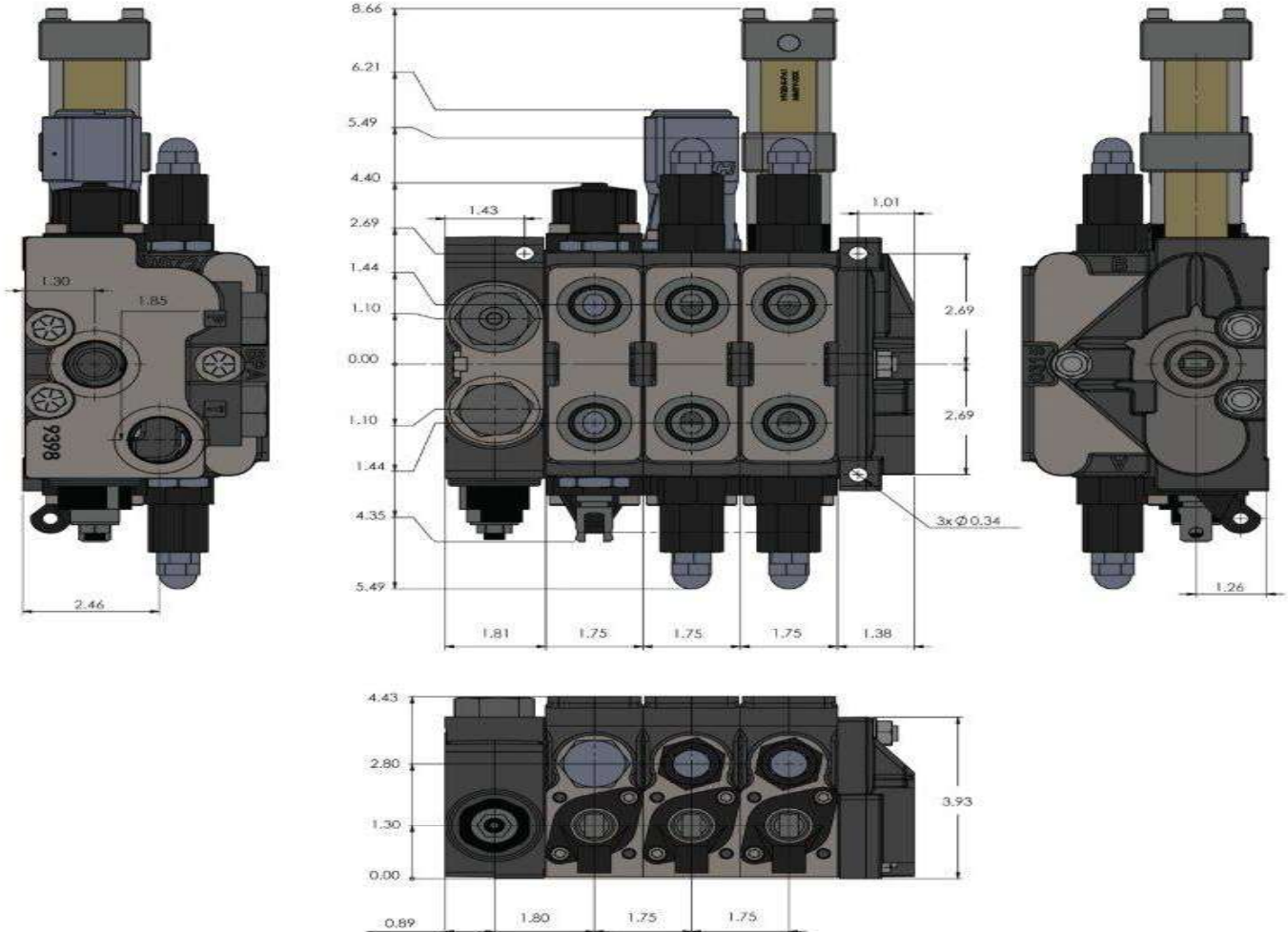
Seal Kits

PART NUMBER	DESCRIPTION	REPLACEMENT FOR GRESEN	LIST PRICE
WV20-K-6035	SPOOL SEALS	K-6035	8.00
WV20-K-6121	SECTION SEALS	K-6121	3.00



V A L V E S

20 Gallon Sectional Valve Specifications & Dimensional Data



Performance Curves

(All tests run using 150 SUS oil, at 120°F. SAE-12 inlet and outlet ports and SAE-10 work section ports)

