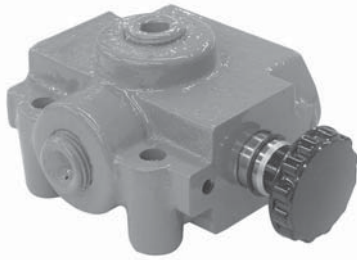


# SINGLE SELECTOR VALVE

## MODEL SS SELECTOR



The PRINCE valve model SS is a manual 3-way 2 position selector valve. This valve will allow one pump source to supply two circuits. With the standard selector spool pulling the spool out diverts oil to port nearest handle, pushing the spool in diverts oil to the port away from the handle. The valve has an inlet on both the bottom and front of the valve body. Special options include lever handle and a float spool. The float spool connects the inlet to both outlets when the spool is pushed in and blocks both outlets when spool is pulled out.

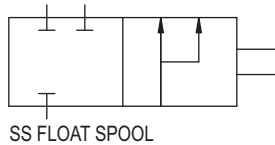
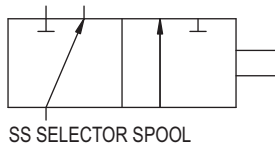
### VALVE SPECIFICATIONS:

Capacity: 20 gpm max inlet flow  
 Pressure: 2500 psi max  
 Weight: 4 lbs.

### KITS:

END CAP KIT 660170009  
 LEVER HANDLE KIT 660170007  
 SEAL KIT 660590006  
 KNOB PART NO. 670400031  
 SNAP RING PART NO. 230017021  
 CLEVIS PART NO. 671900011  
 SPRING OFFSET KIT 660170008

### SYMBOL



### STANDARD MODELS AVAILABLE

MODEL NUMBER	PORT SIZE	DESCRIPTION
SS-2A1D	1/2 NPTF	SELECTOR WITH KNOB HANDLE
SS-3A1D	#8 SAE	SELECTOR WITH KNOB HANDLE
SS-2A1A	1/2 NPTF	SELECTOR WITHOUT ATTACHMENTS
SS-2A1E	1/2 NPTF	SELECTOR WITH LEVER HANDLE
SS-2A1B	1/2 NPTF	SELECTOR WITH CLEVIS

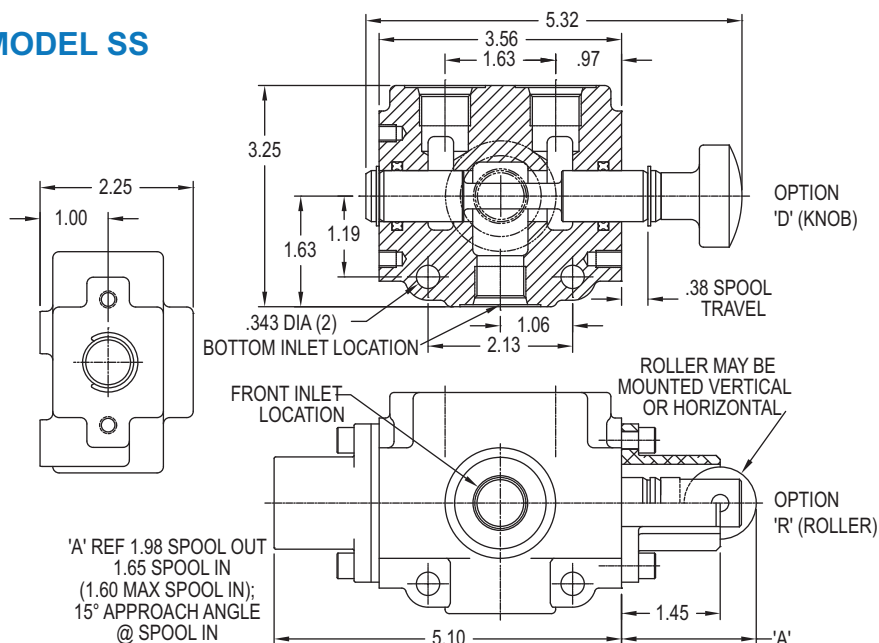
### SPECIAL MODEL SS SELECTOR VALVES

Other selector valves not listed as standard above are available in **OEM quantities**. To select a model number use the order code matrix at right. Consult a sales representative if options other than those listed are required.

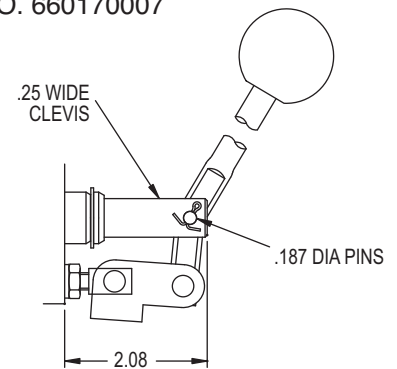
MODEL	PORT SIZE	SPOOL	SPOOL ATTACHMENTS	HANDLE
SS	1-3/8 NPTF 2-1/2 NPTF (standard) 3-#8 SAE 4-#10 SAE	A SELECTOR (standard)  B FLOAT	1-NONE (standard) 2-END CAP ONLY 3-SPRING OFFSET, SPOOL OUT 4-HEAVY SPRING OFFSET, SPOOL OUT	A-NONE B-CLEVIS ONLY C-CLEVIS W/ PINS AND LINK D-KNOB (standard) E-LEVER HANDLE R-ROLLER (use w/attachment 4)

## PARTS BREAKDOWN AND DIMENSIONS

### MODEL SS



### LEVER HANDLE OPTION E KIT NO. 660170007



### KNOB OPTION D PART NO. 670400031

