



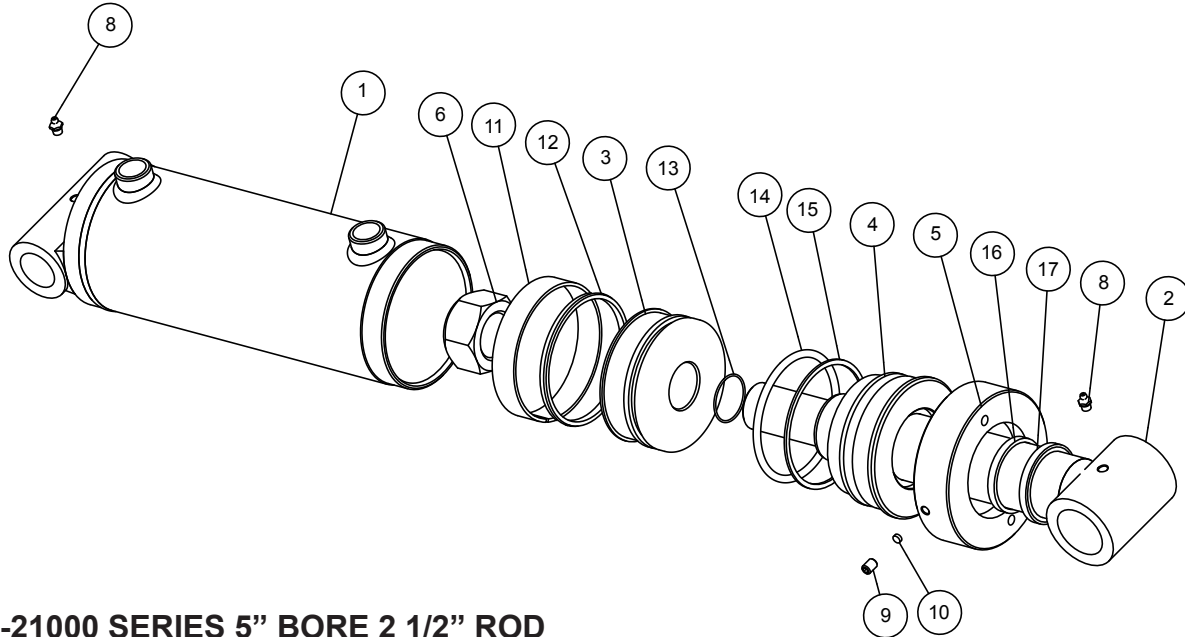
**GLADIATOR LINE
CYLINDER
PARTS BOOK**

Effective November 1, 2005



GLADIATOR LINE

3000 PSI EXTENDED DUTY



PMC-21000 SERIES 5" BORE 2 1/2" ROD

MODEL	ITEM	QTY	PART NO.	DESCRIPTION	NOTES
PMC-21008	1	1	062100461	BUTT & TUBE ASSEMBLY	
PMC-21012	1	1	062100462	BUTT & TUBE ASSEMBLY	
PMC-21016	1	1	062100463	BUTT & TUBE ASSEMBLY	
PMC-21020	1	1	062100480	BUTT & TUBE ASSEMBLY	
PMC-21024	1	1	062100464	BUTT & TUBE ASSEMBLY	
PMC-21030	1	1	062100465	BUTT & TUBE ASSEMBLY	
PMC-21036	1	1	062100466	BUTT & TUBE ASSEMBLY	
PMC-21048	1	1	062100476	BUTT & TUBE ASSEMBLY	
PMC-21054	1	1	062100477	BUTT & TUBE ASSEMBLY	
PMC-21060	1	1	062100478	BUTT & TUBE ASSEMBLY	
PMC-21008	2	1	021300128	PISTON ROD ASSEMBLY	
PMC-21012	2	1	021300129	PISTON ROD ASSEMBLY	
PMC-21016	2	1	021300130	PISTON ROD ASSEMBLY	
PMC-21020	2	1	021300141	PISTON ROD ASSEMBLY	
PMC-21024	2	1	021300131	PISTON ROD ASSEMBLY	
PMC-21030	2	1	021300132	PISTON ROD ASSEMBLY	
PMC-21036	2	1	021300133	PISTON ROD ASSEMBLY	
PMC-21048	2	1	021300137	PISTON ROD ASSEMBLY	
PMC-21054	2	1	021300138	PISTON ROD ASSEMBLY	
PMC-21060	2	1	021300139	PISTON ROD ASSEMBLY	
PMC-21000	3	1	072100181	PISTON	
PMC-21000	4	1	082100267	GLAND	
PMC-21000	5	1	262100018	GLAND CAP	
PMC-21000	6	1	220000217	LOCKNUT	
PMC-21048	7	1	211400027	2" SPACER - NOT SHOWN	
PMC-21054	7	1	211400028	3" SPACER - NOT SHOWN	
PMC-21060	7	1	211400029	4" SPACER - NOT SHOWN	
PMC-21000	8	2	270010002	GREASE ZERK	
PMC-21000	9	1	220000701	SET SCREW	
PMC-21000	10	1	220000853	NYLON LOCK	
PMC-21000	11	1	240011067	BEARING RING	KIT
PMC-21000	12	1	240060350	CROWN SEAL	KIT
PMC-21000	13	1	240000031	O-RING	KIT
PMC-21000	14	1	240000425	O-RING	KIT
PMC-21000	15	1	240061425	BU-WASHER	KIT
PMC-21000	16	1	240020013	U-CUP	KIT
PMC-21000	17	1	250014250	WIPER	KIT
PMC-21000	*	1	250001333	WIPER	KIT
PMC-21000			PMCK-21000	PACKING KIT	

* INCLUDED IN PACKING KIT AS REPLACEMENT SEALS FOR OLDER CYLINDERS



GLADIATOR LINE

3000 PSI EXTENDED DUTY

(Continued)

PMC-22000 SERIES 6" BORE 3" ROD

MODEL	ITEM	QTY	PART NO.	DESCRIPTION	NOTES
PMC-22008	1	1	062300410	BUTT & TUBE ASSEMBLY	
PMC-22012	1	1	062300411	BUTT & TUBE ASSEMBLY	
PMC-22016	1	1	062300412	BUTT & TUBE ASSEMBLY	
PMC-22024	1	1	062300413	BUTT & TUBE ASSEMBLY	
PMC-22030	1	1	062300414	BUTT & TUBE ASSEMBLY	
PMC-22036	1	1	062300415	BUTT & TUBE ASSEMBLY	
PMC-22048	1	1	062300424	BUTT & TUBE ASSEMBLY	
PMC-22054	1	1	062300425	BUTT & TUBE ASSEMBLY	
PMC-22060	1	1	062300426	BUTT & TUBE ASSEMBLY	
PMC-22008	2	1	021500073	PISTON ROD ASSEMBLY	
PMC-22012	2	1	021500074	PISTON ROD ASSEMBLY	
PMC-22016	2	1	021500075	PISTON ROD ASSEMBLY	
PMC-22024	2	1	021500076	PISTON ROD ASSEMBLY	
PMC-22030	2	1	021500077	PISTON ROD ASSEMBLY	
PMC-22036	2	1	021500078	PISTON ROD ASSEMBLY	
PMC-22048	2	1	021500079	PISTON ROD ASSEMBLY	
PMC-22054	2	1	021500080	PISTON ROD ASSEMBLY	
PMC-22060	2	1	021500081	PISTON ROD ASSEMBLY	
PMC-22000	3	1	072300150	PISTON	
PMC-22000	4	1	082300208	GLAND	
PMC-22000	5	1	262300011	GLAND CAP	
PMC-22000	6	1	220000218	LOCKNUT	
PMC-22048	7	1	211600012	2" SPACER-NOT SHOWN	
PMC-22054	7	1	211600013	3" SPACER - NOT SHOWN	
PMC-22060	7	1	211600014	4" SPACER - NOT SHOWN	
PMC-22000	8	2	270010002	GREASE ZERK	
PMC-22000	9	1	220000701	SET SCREW	
PMC-22000	10	1	220000853	NYLON LOCK	
PMC-22000	11	1	240011084	BEARING RING	KIT
PMC-22000	12	1	240060433	CROWN SEAL	KIT
PMC-22000	13	1	240000033	O-RING	KIT
PMC-22000	14	1	240000433	O-RING	KIT
PMC-22000	15	1	240061433	BU-WAHSER	KIT
PMC-22000	16	1	240020017	U-CUP	KIT
PMC-22000	17	1	250014300	WIPER	KIT
PMC-22000	*	1	250001337	WIPER	KIT
PMC-22000			PMCK-22000	PACKING KIT	

* INCLUDED IN PACKING KIT AS REPLACEMENT SEALS FOR OLDER CYLINDERS