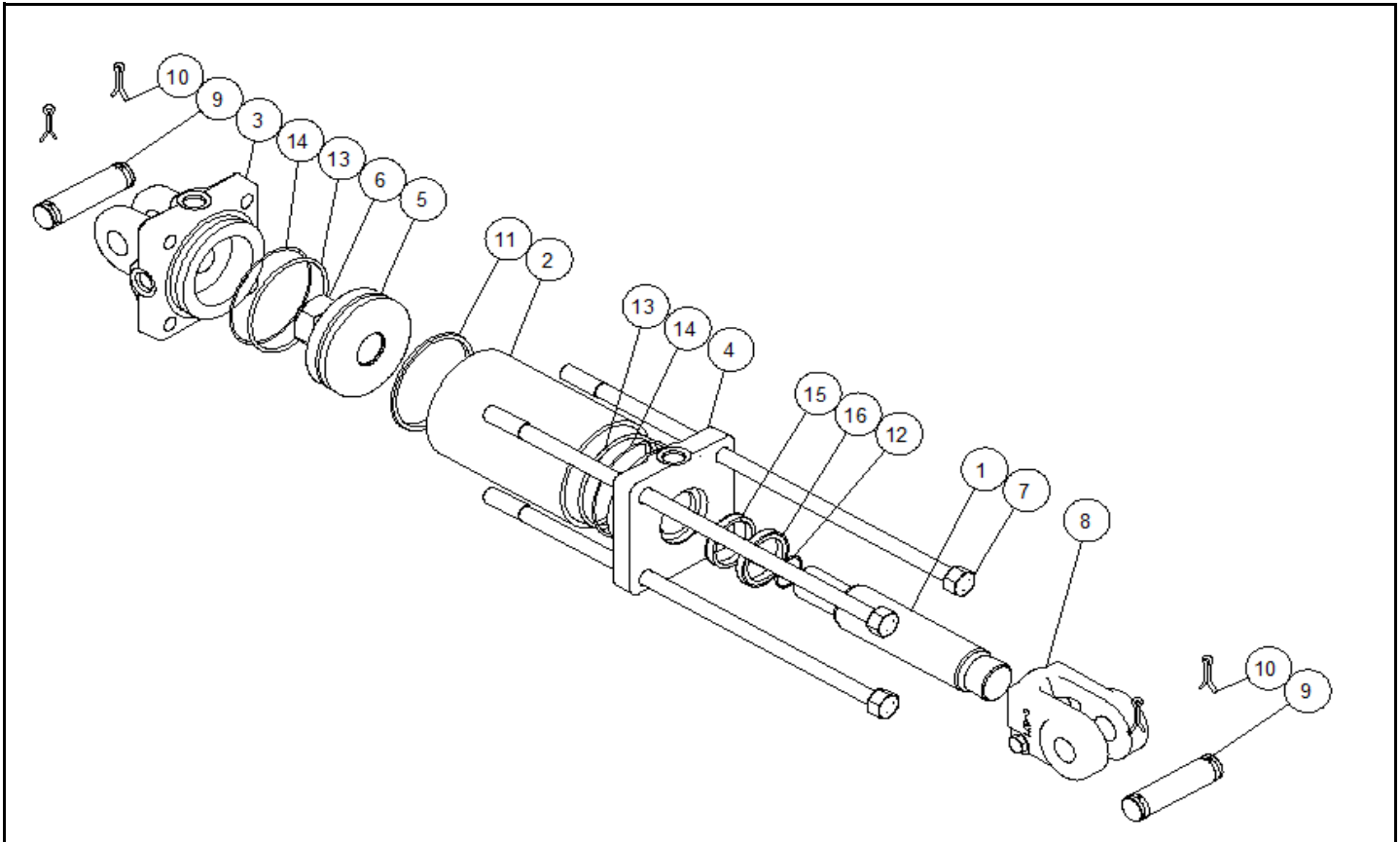




STANDARD TIEROD

3000 PSI



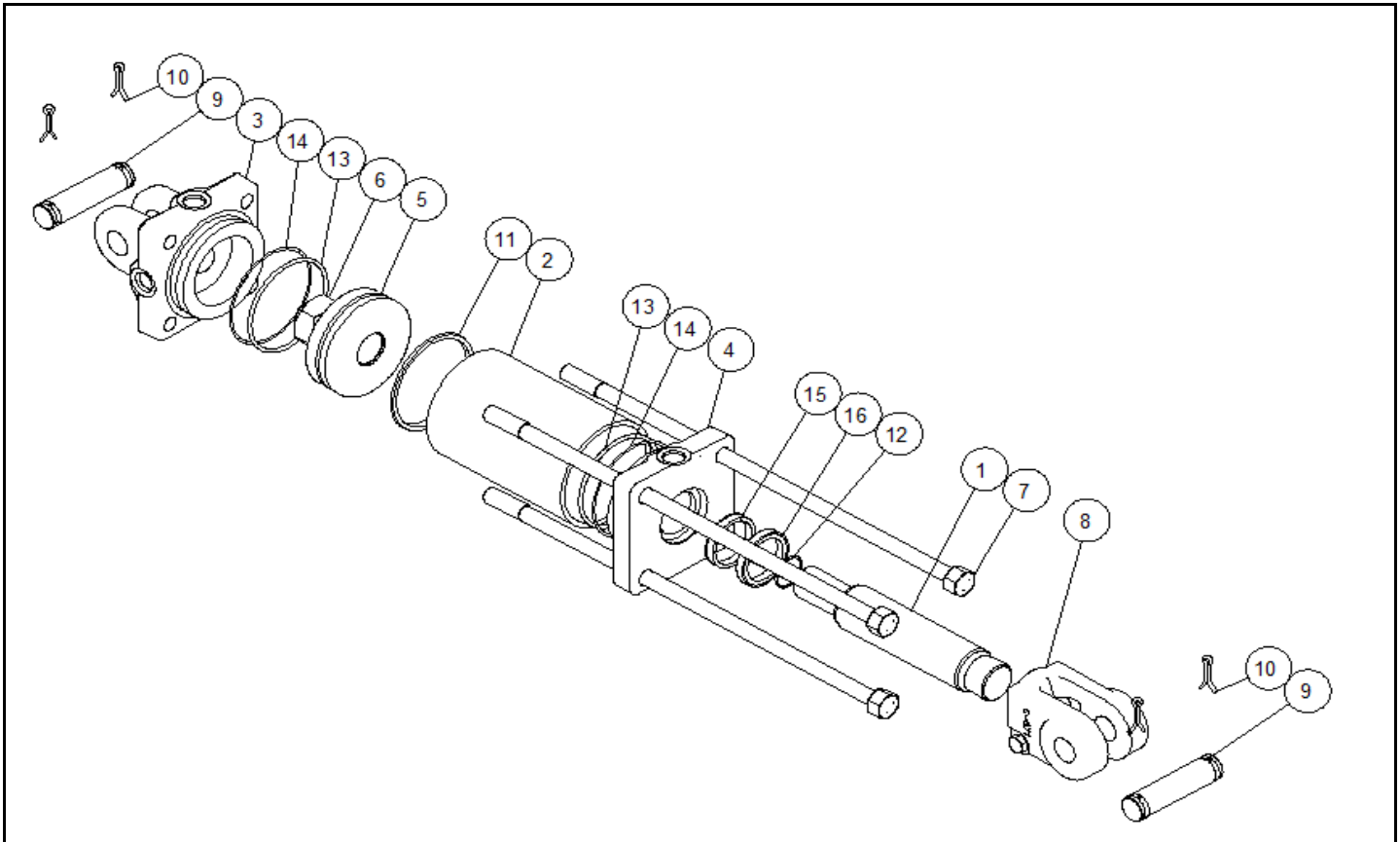
B200000 2.00" BORE 1.125" ROD

MODEL	ITEM	QUANTITY	PART NUMBER	DESCRIPTION
B200040ABAAA03B	1	1	010509750A	PISTON ROD
B200060ABAAA03B	1	1	010511750A	PISTON ROD
A200080ABAAA03B	1	1	010500472	PISTON ROD
B200100ABAAA03B	1	1	010515750A	PISTON ROD
B200120ABAAA03B	1	1	010517750A	PISTON ROD
B200140ABAAA03B	1	1	010519750A	PISTON ROD
A200160ABAAA03B	1	1	010527000A	PISTON ROD
B200180ABAAA03B	1	1	010523750A	PISTON ROD
B200200ABAAA03B	1	1	010525750A	PISTON ROD
B200240ABAAA03B	1	1	010529750A	PISTON ROD
B200300ABAAA03B	1	1	010535750A	PISTON ROD
B200040ABAAA03B	2	1	051106063A	TUBE
B200060ABAAA03B	2	1	051108063A	TUBE
A200080ABAAA03B	2	1	051110063A	TUBE
B200100ABAAA03B	2	1	051112063A	TUBE
B200120ABAAA03B	2	1	051114063A	TUBE
B200140ABAAA03B	2	1	051116063A	TUBE
A200160ABAAA03B	2	1	051118063A	TUBE
B200180ABAAA03B	2	1	051120063A	TUBE



STANDARD TIEROD

3000 PSI



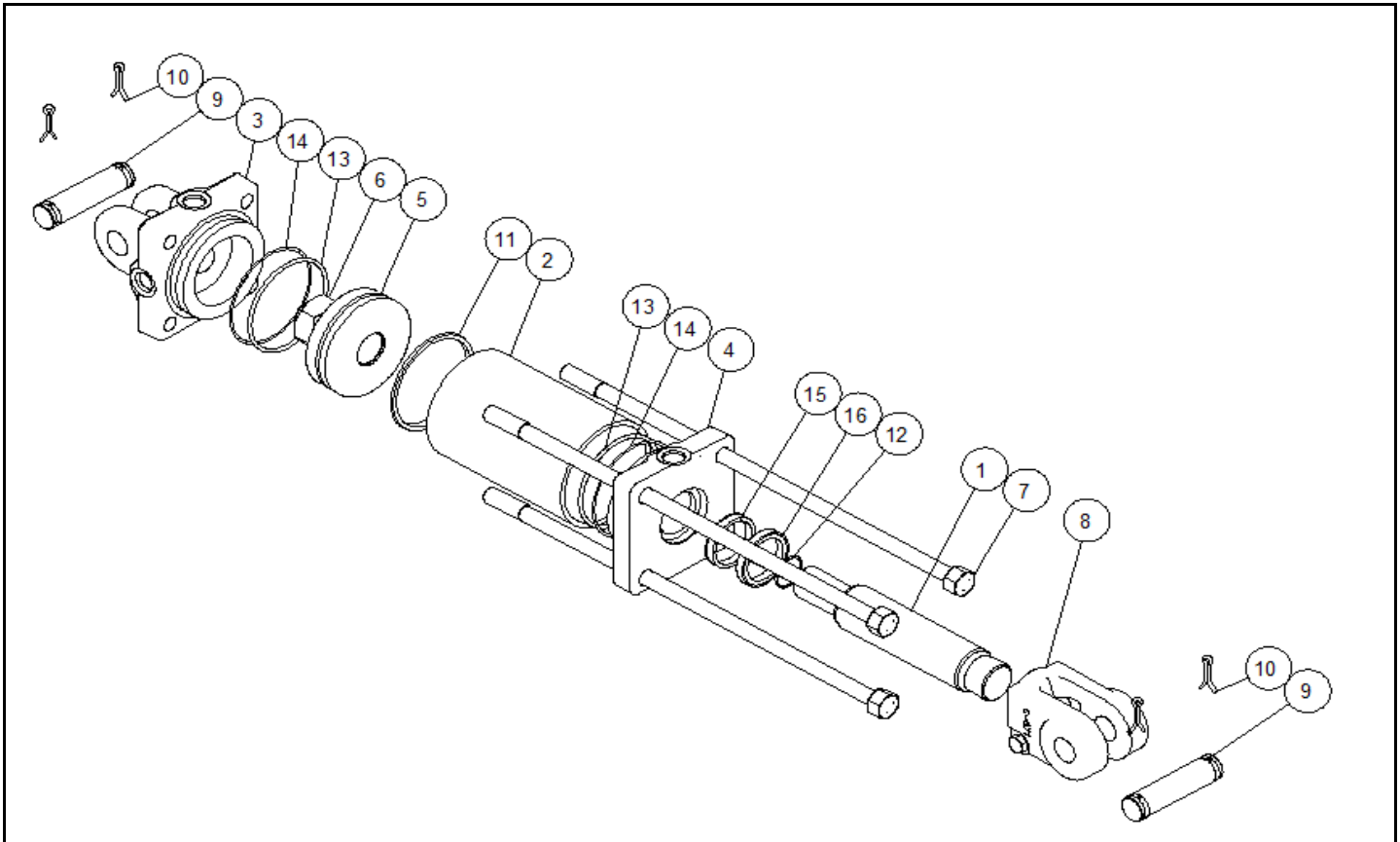
B200000 2.00" BORE 1.125" ROD

MODEL	ITEM	QUANTITY	PART NUMBER	DESCRIPTION
B200200ABAAA03B	2	1	051122063A	TUBE
B200240ABAAA03B	2	1	051126063A	TUBE
B200300ABAAA03B	2	1	051132063A	TUBE
B200000	3	1	1411005SF	BUTT
B200000	4	1	0811ABCSF	GLAND
B200000	5	1	071100157	PISTON
B200000	6	1	220000208	LOCKNUT
B200040ABAAA03B	7	4	170103081	TIEROD ASSEMBLY
B200060ABAAA03B	7	4	170103101	TIEROD ASSEMBLY
A200080ABAAA03B	7	4	170103121	TIEROD ASSEMBLY
B200100ABAAA03B	7	4	170103141	TIEROD ASSEMBLY
B200120ABAAA03B	7	4	170103161	TIEROD ASSEMBLY
B200140ABAAA03B	7	4	170103181	TIEROD ASSEMBLY
A200160ABAAA03B	7	4	170103201	TIEROD ASSEMBLY
B200180ABAAA03B	7	4	170103221	TIEROD ASSEMBLY
B200200ABAAA03B	7	4	170103241	TIEROD ASSEMBLY
B200240ABAAA03B	7	4	170103281	TIEROD ASSEMBLY
B200300ABAAA03B	7	4	170103341	TIEROD ASSEMBLY
B200000	8	1	100000423	CLEVIS ASSEMBLY



STANDARD TIEROD

3000 PSI



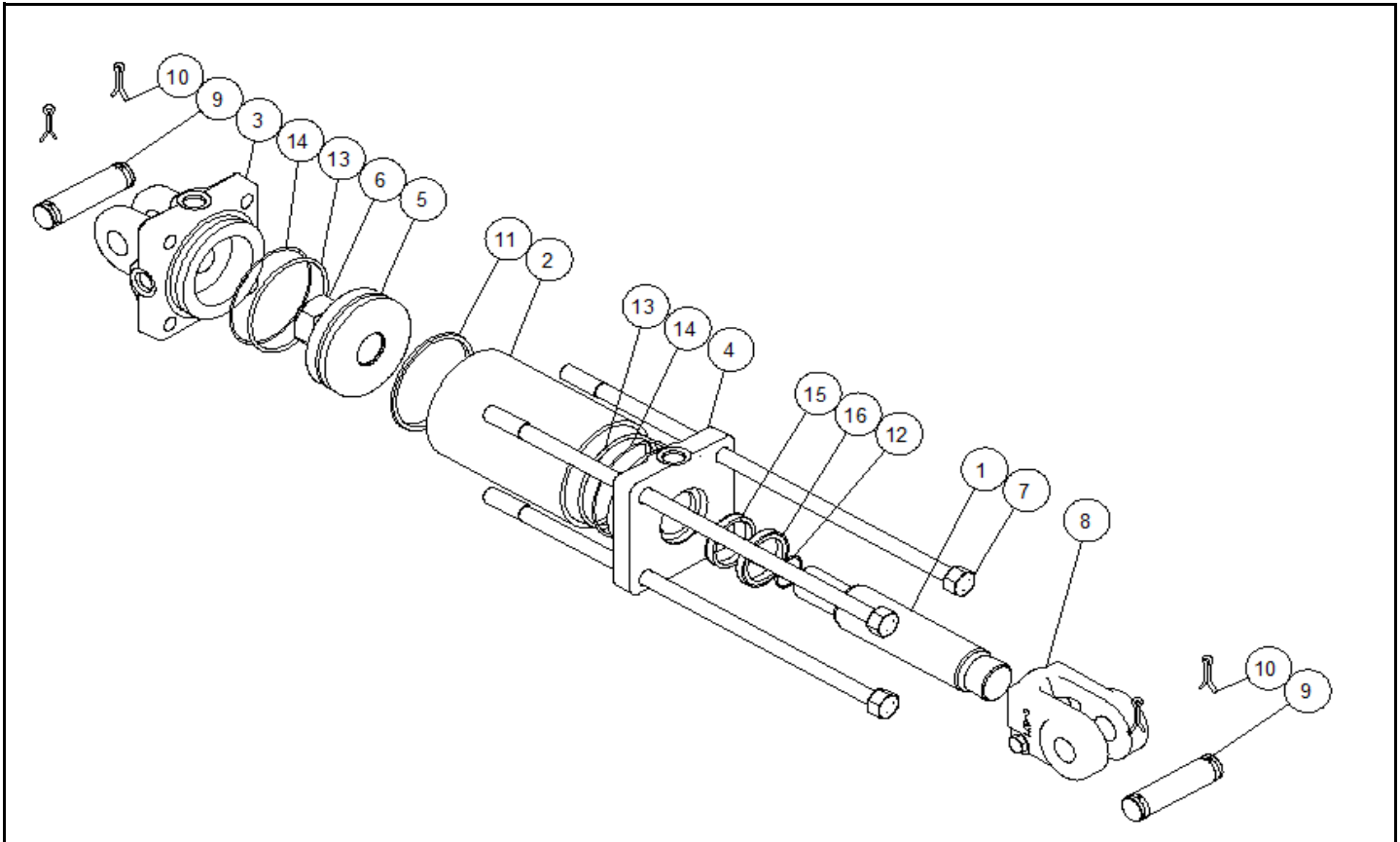
B200000 2.00" BORE 1.125" ROD

MODEL	ITEM	QUANTITY	PART NUMBER	DESCRIPTION
B200000	9	2	190400001	CLEVIS PIN
B200000	10	4	220001504	COTTER PIN
B200000	11	1*	240060326	CROWN SEAL
B200000	12	1*	240000018	O-RING
B200000	13	2*	240000224	O-RING
B200000	14	2*	240061224	BU-WASHER
B200000	15	1*	240037071	U-CUP
B200000	16	1*	250001216	WIPER
B200000			PMCK-B200000	PACKING KIT



STANDARD TIEROD

3000 PSI



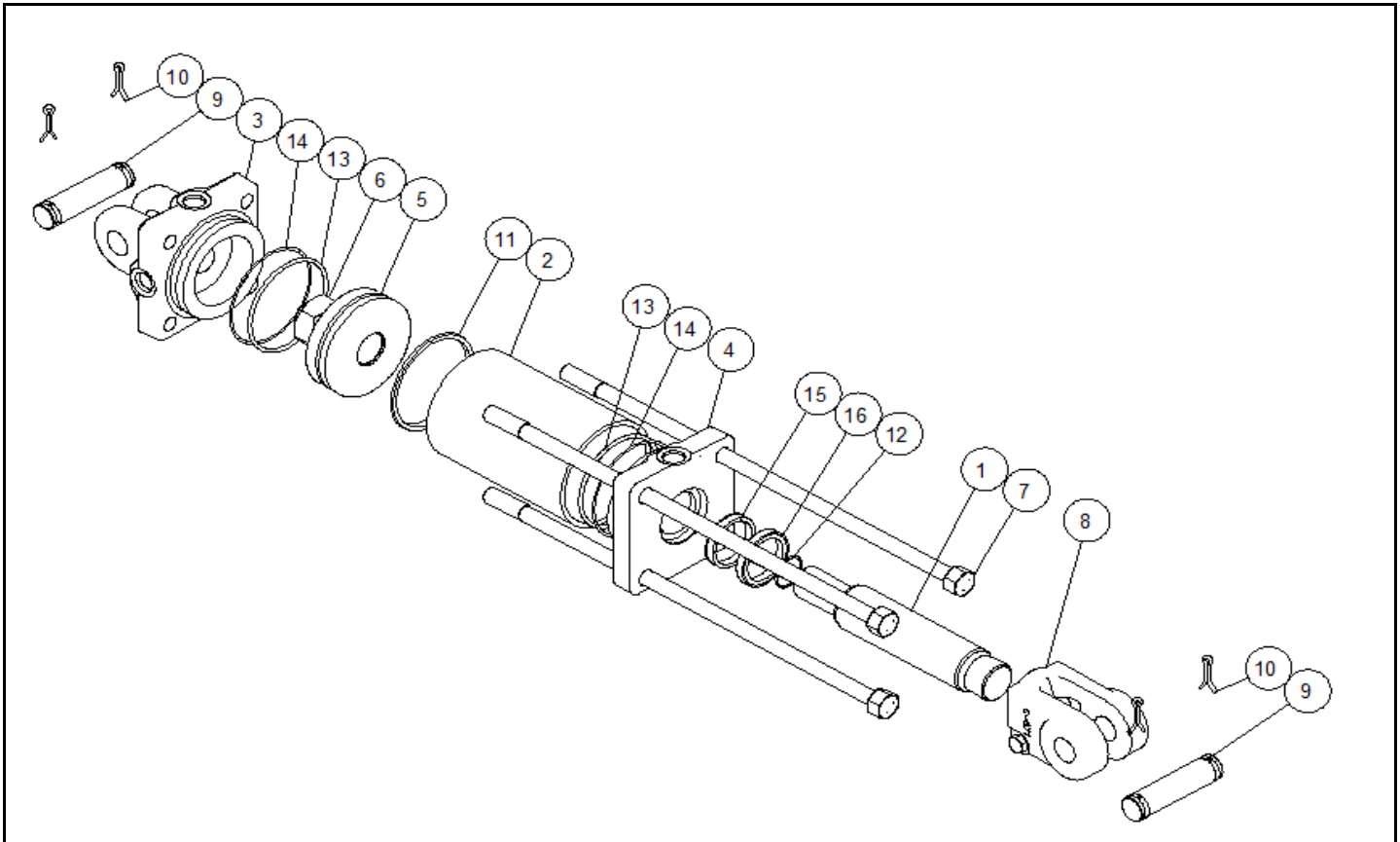
B250000 2.50" BORE 1.25" ROD

MODEL	ITEM	QUANTITY	PART NUMBER	DESCRIPTION
B250060ABAAA03B	1	1	010611750A	PISTON ROD
A250080ABAAA03B	1	1	010600608	PISTON ROD
B250100ABAAA03B	1	1	010615750A	PISTON ROD
B250120ABAAA03B	1	1	010617750A	PISTON ROD
B250140ABAAA03B	1	1	010619750A	PISTON ROD
A250160ABAAA03B	1	1	010627000A	PISTON ROD
B250180ABAAA03B	1	1	010623750A	PISTON ROD
B250200ABAAA03B	1	1	010625750A	PISTON ROD
B250240ABAAA03B	1	1	010629750A	PISTON ROD
B250300ABAAA03B	1	1	010635750A	PISTON ROD
B250060ABAAA03B	2	1	051308063A	TUBE
A250080ABAAA03B	2	1	051310063A	TUBE
B250100ABAAA03B	2	1	051312063A	TUBE
B250120ABAAA03B	2	1	051314063A	TUBE
B250140ABAAA03B	2	1	051316063A	TUBE
A250160ABAAA03B	2	1	051318063A	TUBE
B250180ABAAA03B	2	1	051320063A	TUBE
B250200ABAAA03B	2	1	051322063A	TUBE
B250240ABAAA03B	2	1	051326063A	TUBE



STANDARD TIEROD

3000 PSI



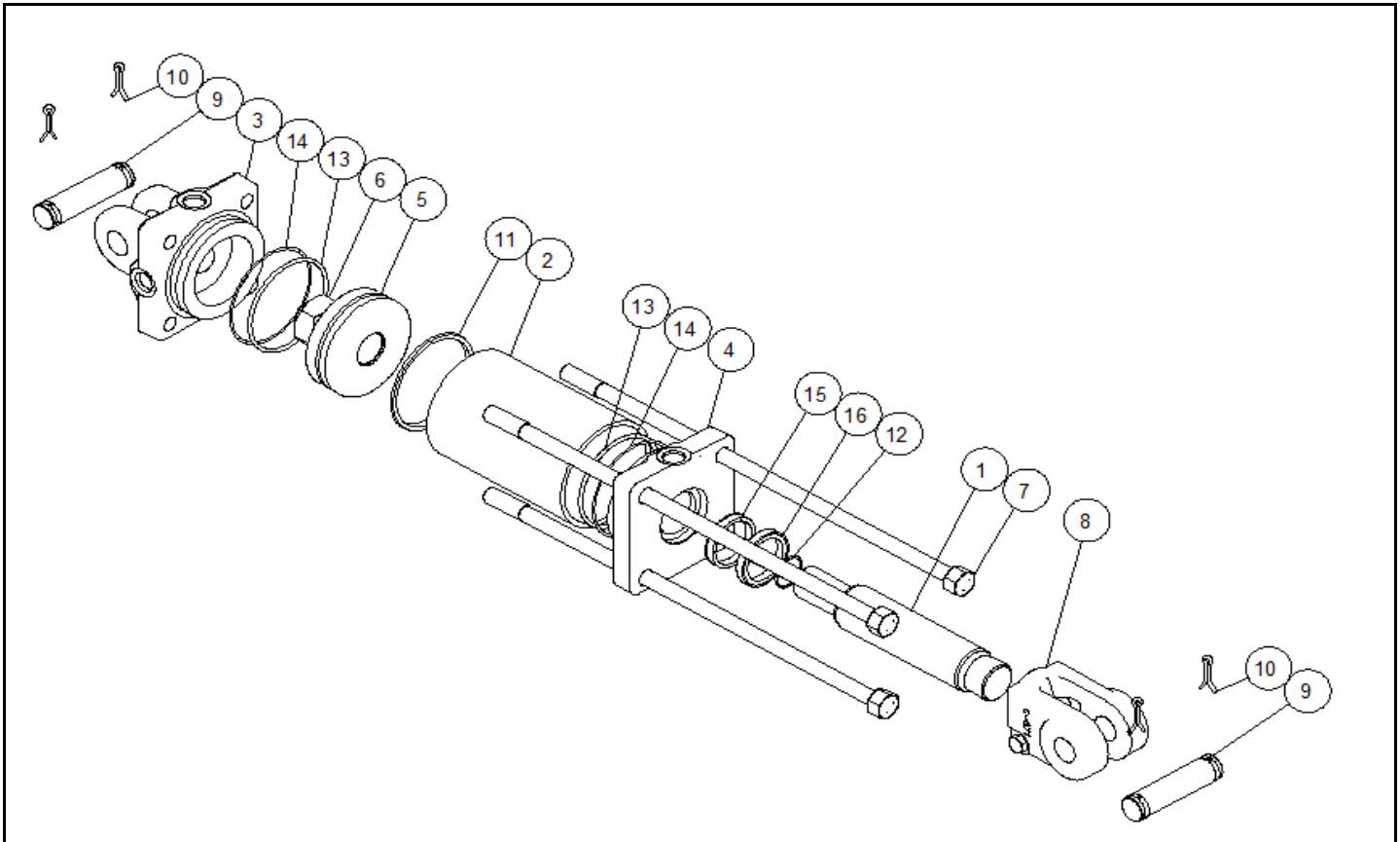
B250000 2.50" BORE 1.25" ROD

MODEL	ITEM	QUANTITY	PART NUMBER	DESCRIPTION
B250300ABAAA03B	2	1	051332063A	TUBE
B250000	3	1	1413005SF	BUTT
B250000	4	1	0813BBESF	GLAND
B250000	5	1	071300111	PISTON
B250000	6	1	220000208	LOCKNUT
B250060ABAAA03B	7	4	170201101	TIEROD ASSEMBLY
A250080ABAAA03B	7	4	170201121	TIEROD ASSEMBLY
B250100ABAAA03B	7	4	170201141	TIEROD ASSEMBLY
B250120ABAAA03B	7	4	170201161	TIEROD ASSEMBLY
B250140ABAAA03B	7	4	170201181	TIEROD ASSEMBLY
A250160ABAAA03B	7	4	170201201	TIEROD ASSEMBLY
B250180ABAAA03B	7	4	170201221	TIEROD ASSEMBLY
B250200ABAAA03B	7	4	170201241	TIEROD ASSEMBLY
B250240ABAAA03B	7	4	170201281	TIEROD ASSEMBLY
B250300ABAAA03B	7	4	170201341	TIEROD ASSEMBLY
B250000	8	1	100000423	CLEVIS ASSEMBLY
B250000	9	2	190400001	CLEVIS PIN
B250000	10	4	220001504	COTTER PIN
B250000	11	1*	240060330	CROWN SEAL



STANDARD TIEROD

3000 PSI



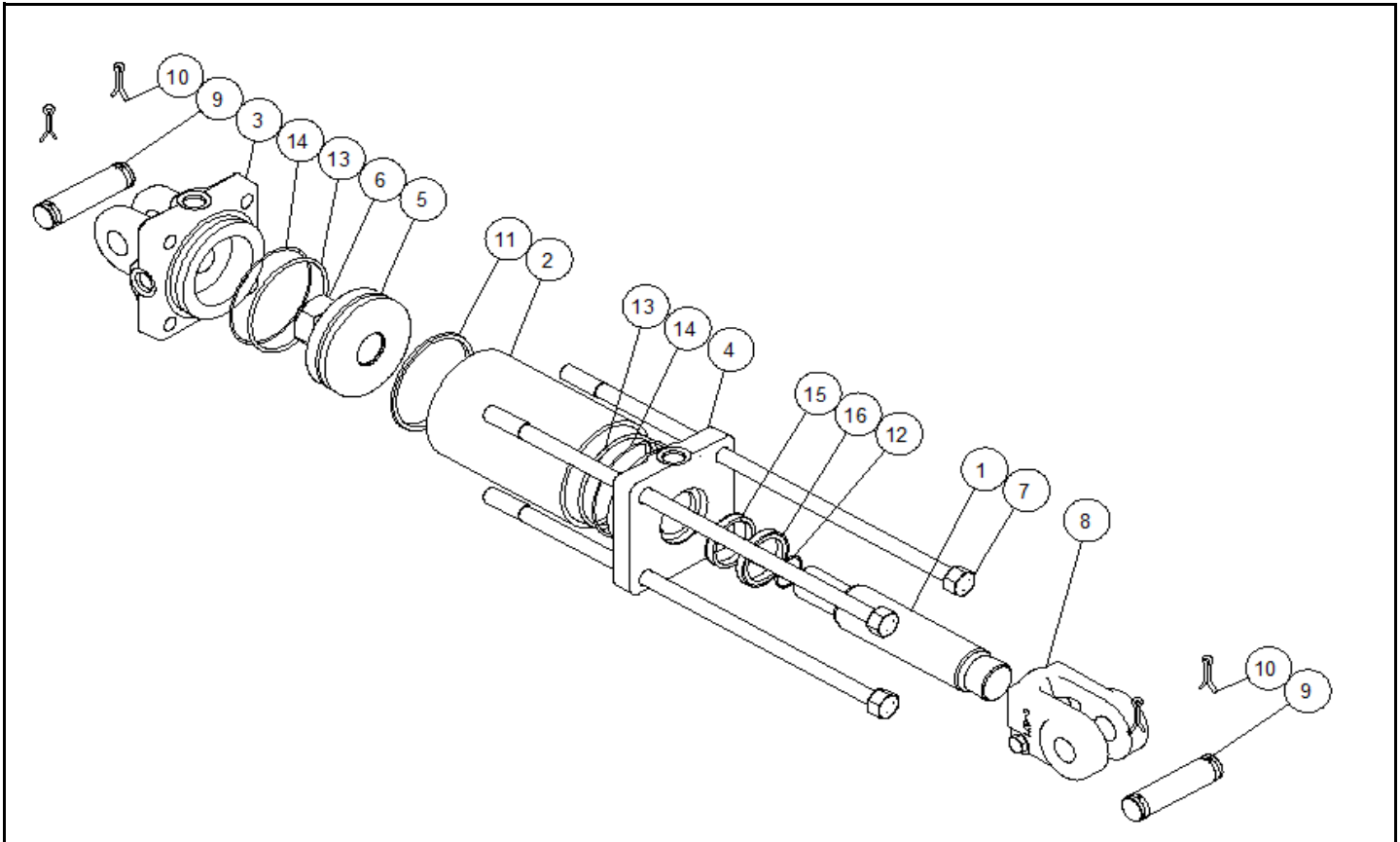
B250000 2.50" BORE 1.25" ROD

MODEL	ITEM	QUANTITY	PART NUMBER	DESCRIPTION
B250000	12	1*	240000018	O-RING
B250000	13	2*	240000228	O-RING
B250000	14	2*	240061228	BU-WASHER
B250000	15	1*	240037090	U-CUP
B250000	16	1*	250014125	WIPER
B250000			PMCK-B250000	PACKING KIT



STANDARD TIEROD

3000 PSI



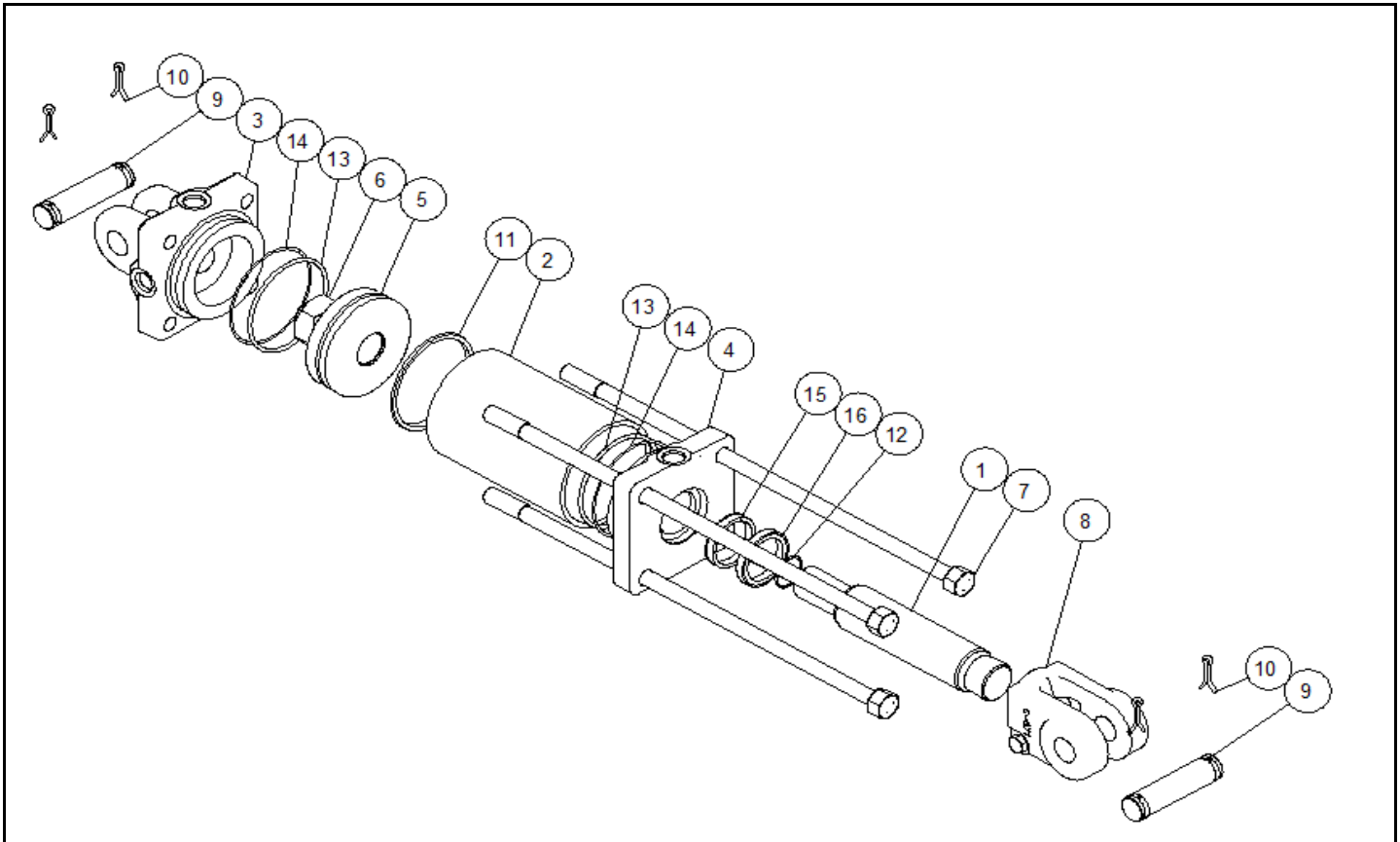
B300000 3.00" BORE 1.375" ROD

MODEL	ITEM	QUANTITY	PART NUMBER	DESCRIPTION
B300060ABAAA03B	1	1	010711750A	PISTON ROD
A300080ABAAA03B	1	1	010700431	PISTON ROD
B300100ABAAA03B	1	1	010715750A	PISTON ROD
B300120ABAAA03B	1	1	010717750A	PISTON ROD
B300140ABAAA03B	1	1	010719750A	PISTON ROD
A300160ABAAA03B	1	1	010727000A	PISTON ROD
B300180ABAAA03B	1	1	010723750A	PISTON ROD
B300200ABAAA03B	1	1	010725750A	PISTON ROD
B300240ABAAA03B	1	1	010729750A	PISTON ROD
B300300ABAAA03B	1	1	010735750A	PISTON ROD
B300360ABAAA03B	1	1	010741750A	PISTON ROD
B300480ABAAA03B	1	1	010753750A	PISTON ROD
B300060ABAAA03B	2	1	051508063A	TUBE
A300080ABAAA03B	2	1	051510063A	TUBE
B300100ABAAA03B	2	1	051512063A	TUBE
B300120ABAAA03B	2	1	051514063A	TUBE
B300140ABAAA03B	2	1	051516063A	TUBE
A300160ABAAA03B	2	1	051518063A	TUBE
B300180ABAAA03B	2	1	051520063A	TUBE



STANDARD TIEROD

3000 PSI



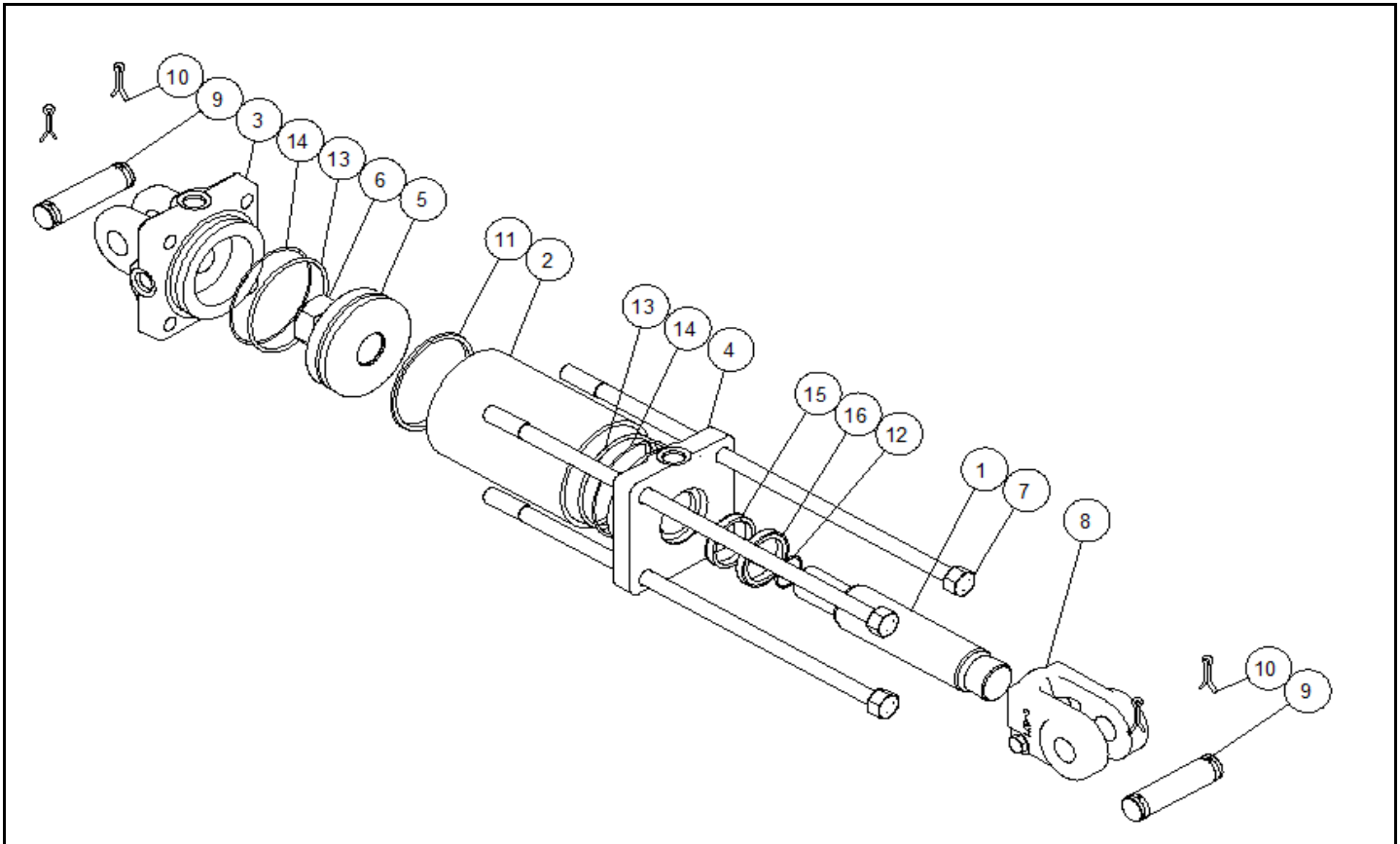
B300000 3.00" BORE 1.375" ROD

MODEL	ITEM	QUANTITY	PART NUMBER	DESCRIPTION
B300200ABAAA03B	2	1	051522063A	TUBE
B300240ABAAA03B	2	1	051526063A	TUBE
B300300ABAAA03B	2	1	051532063A	TUBE
B300360ABAAA03B	2	1	051538063A	TUBE
B300480ABAAA03B	2	1	051550063A	TUBE
B300000	3	1	1415005SF	BUTT
B300000	4	1	0815BBGSF	GLAND
B300000	5	1	071500244	PISTON
B300000	6	1	220000210	LOCKNUT
B300060ABAAA03B	7	4	170201102	TIEROD ASSEMBLY
A300080ABAAA03B	7	4	170201122	TIEROD ASSEMBLY
B300100ABAAA03B	7	4	170201142	TIEROD ASSEMBLY
B300120ABAAA03B	7	4	170201162	TIEROD ASSEMBLY
B300140ABAAA03B	7	4	170201182	TIEROD ASSEMBLY
A300160ABAAA03B	7	4	170201202	TIEROD ASSEMBLY
B300180ABAAA03B	7	4	170201222	TIEROD ASSEMBLY
B300200ABAAA03B	7	4	170201242	TIEROD ASSEMBLY
B300240ABAAA03B	7	4	170201282	TIEROD ASSEMBLY
B300300ABAAA03B	7	4	170201342	TIEROD ASSEMBLY



STANDARD TIEROD

3000 PSI



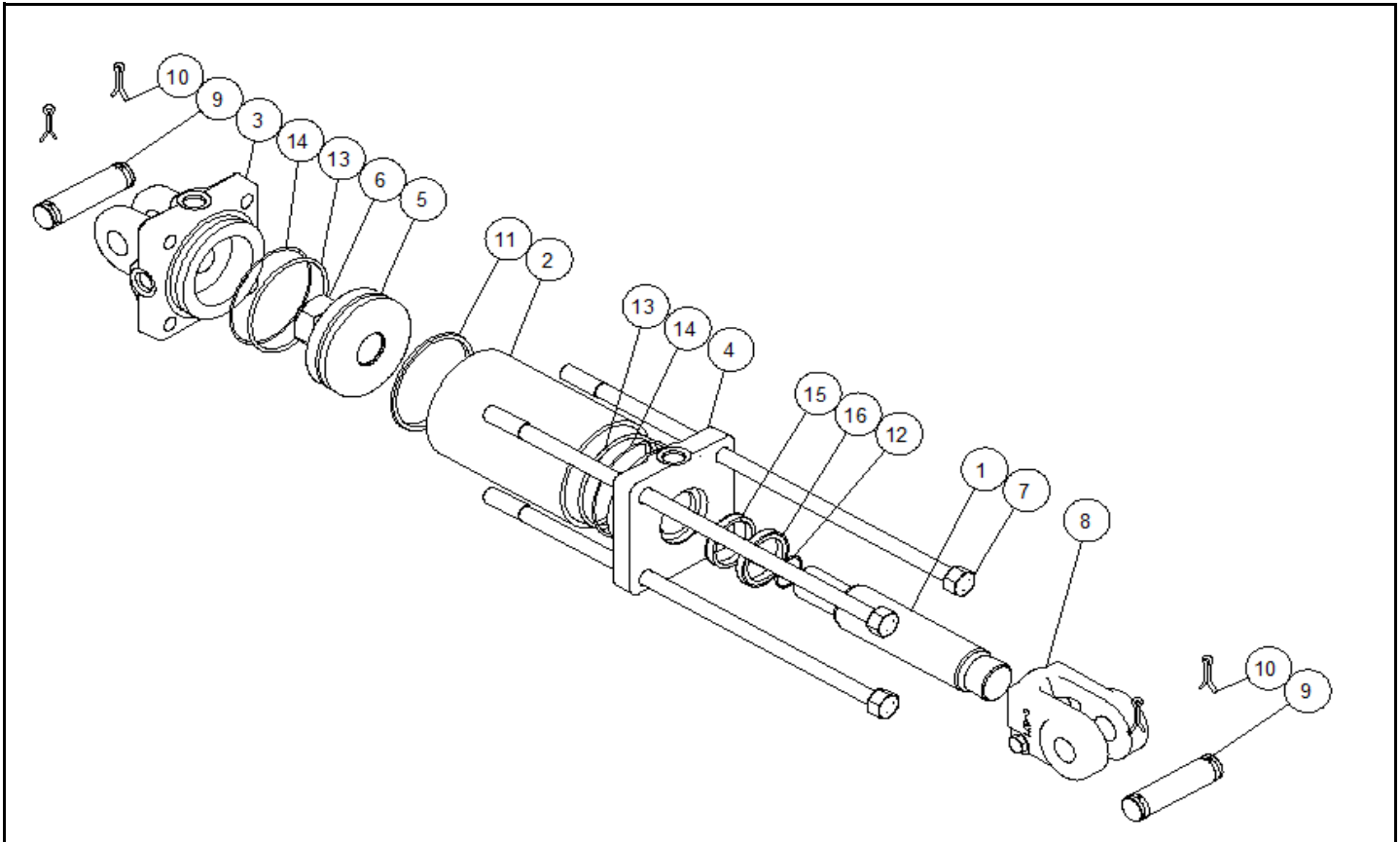
B300000 3.00" BORE 1.375" ROD

MODEL	ITEM	QUANTITY	PART NUMBER	DESCRIPTION
B300360ABAAA03B	7	4	170201402	TIEROD ASSEMBLY
B300480ABAAA03B	7	4	170201522	TIEROD ASSEMBLY
B300000	8	1	100000423	CLEVIS ASSY
B300000	9	2	190400001	CLEVIS PIN
B300000	10	4	220001504	COTTER PIN
B300000	11	1*	240060334	CROWN SEAL
B300000	12	1*	240000022	O-RING
B300000	13	2*	240000232	O-RING
B300000	14	2*	240061232	BU-WASHER
B300000	15	1*	240037106	U-CUP
B300000	16	1*	250014137	WIPER
B300000			*PMCK-B300000	*PACKING KIT



STANDARD TIEROD

3000 PSI



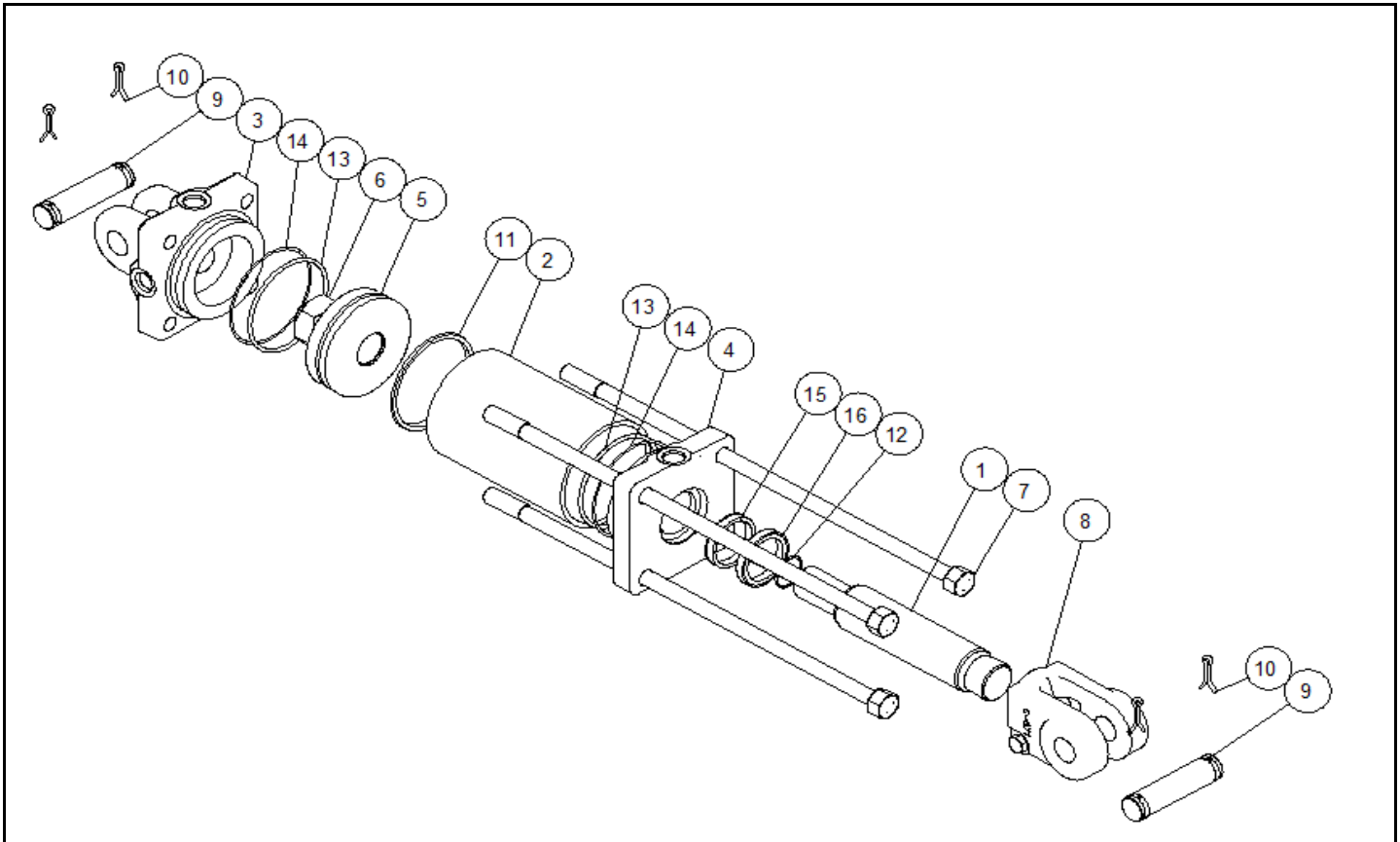
B350000 3.50" BORE 1.375 ROD

MODEL	ITEM	QUANTITY	PART NUMBER	DESCRIPTION
A350080ABAAA03B	1	1	10700682	PISTON ROD
B350100ABAAA03B	1	1	010715750B	PISTON ROD
B350120ABAAA03B	1	1	010717750B	PISTON ROD
B350140ABAAA03B	1	1	010719750B	PISTON ROD
A350160ABAAA03B	1	1	010727000B	PISTON ROD
B350180ABAAA03B	1	1	010723750B	PISTON ROD
B350200ABAAA03B	1	1	010725750B	PISTON ROD
B350240ABAAA03B	1	1	010729750B	PISTON ROD
B350300ABAAA03B	1	1	010735750B	PISTON ROD
B350360ABAAA03B	1	1	010741750B	PISTON ROD
B350480ABAAA03B	1	1	010753750B	PISTON ROD
A350080ABAAA03B	2	1	051710063A	TUBE
B350100ABAAA03B	2	1	051712063A	TUBE
B350120ABAAA03B	2	1	051714063A	TUBE
B350140ABAAA03B	2	1	051716063A	TUBE
A350160ABAAA03B	2	1	051718063A	TUBE
B350180ABAAA03B	2	1	051720063A	TUBE
B350200ABAAA03B	2	1	051722063A	TUBE
B350240ABAAA03B	2	1	051726063A	TUBE



STANDARD TIEROD

3000 PSI



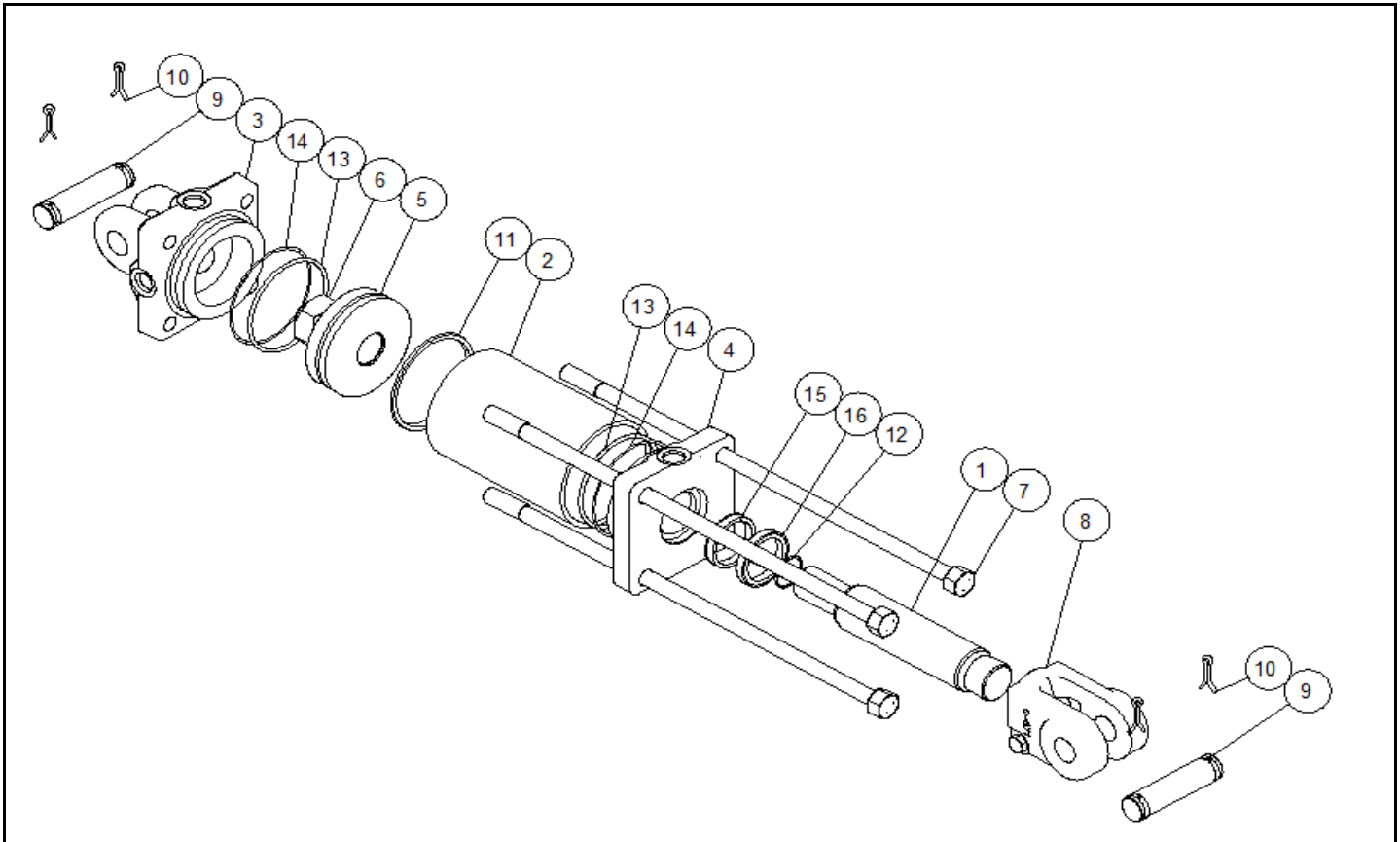
B350000 3.50" BORE 1.375 ROD

MODEL	ITEM	QUANTITY	PART NUMBER	DESCRIPTION
B350300ABAAA03B	2	1	051732063A	TUBE
B350360ABAAA03B	2	1	051738063A	TUBE
B350480ABAAA03B	2	1	051750063A	TUBE
B350000	3	1	1417005SF	BUTT
B350000	4	1	0817BBGSF	GLAND
B350000	5	1	071700174	PISTON
B350000	6	1	220000210	LOCKNUT
A350080ABAAA03B	7	4	170201123	TIEROD ASSEMBLY
B350100ABAAA03B	7	4	170201143	TIEROD ASSEMBLY
B350120ABAAA03B	7	4	170201163	TIEROD ASSEMBLY
B350140ABAAA03B	7	4	170201183	TIEROD ASSEMBLY
A350160ABAAA03B	7	4	170201203	TIEROD ASSEMBLY
B350180ABAAA03B	7	4	170201223	TIEROD ASSEMBLY
B350200ABAAA03B	7	4	170201243	TIEROD ASSEMBLY
B350240ABAAA03B	7	4	170201283	TIEROD ASSEMBLY
B350300ABAAA03B	7	4	170201343	TIEROD ASSEMBLY
B350360ABAAA03B	7	4	170201403	TIEROD ASSEMBLY
B350480ABAAA03B	7	4	170201523	TIEROD ASSEMBLY
B350000	8	1	100000577	CLEVIS ASSEMBLY



STANDARD TIEROD

3000 PSI



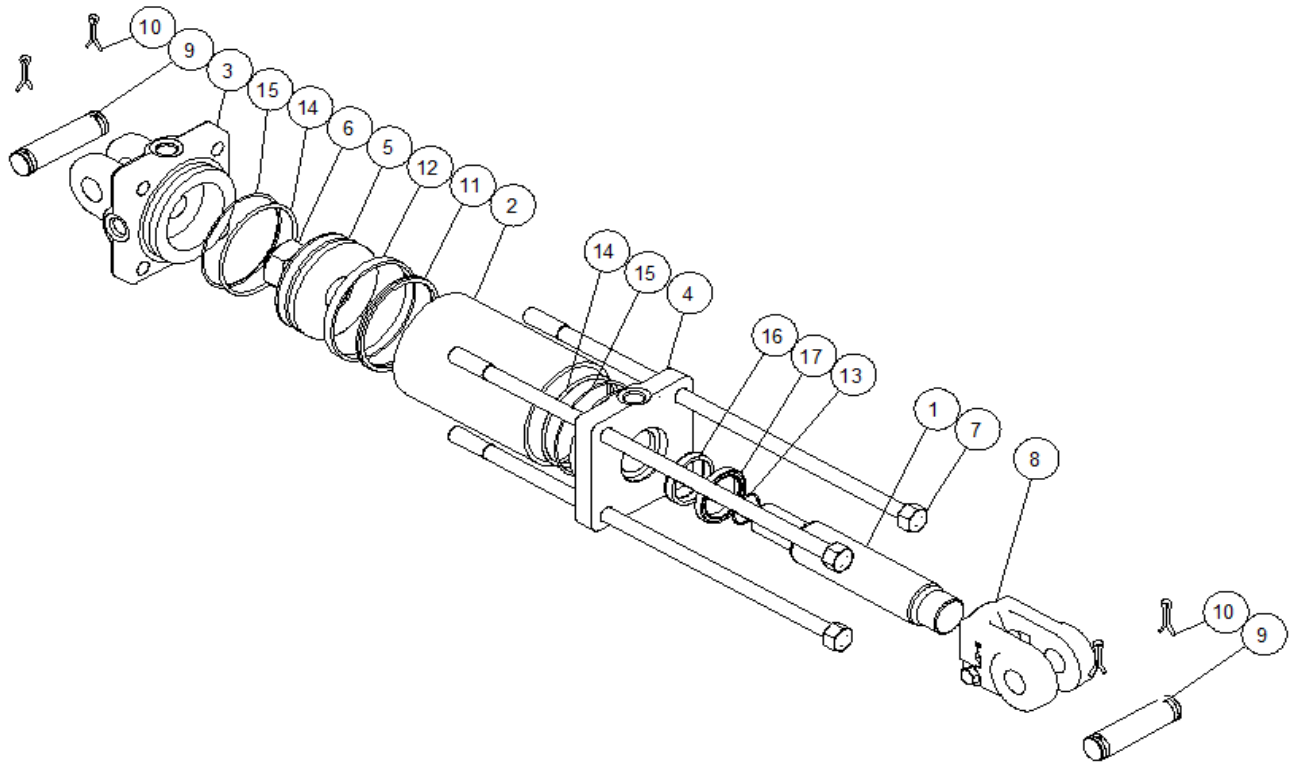
B350000 3.50" BORE 1.375 ROD

MODEL	ITEM	QUANTITY	PART NUMBER	DESCRIPTION
B350000	9	2	190400004	CLEVIS PIN
B350000	10	4	220001504	COTTER PIN
B350000	11	1*	240060338	CROWN SEAL
B350000	12	1*	240000022	O-RING
B350000	13	2*	240000236	O-RING
B350000	14	2*	240061236	BU-WASHER
B350000	15	1*	240037106	U-CUP
B350000	16	1*	250014137	WIPER
B350000			PMCK-B350000	PACKING KIT



STANDARD TIEROD

3000 PSI



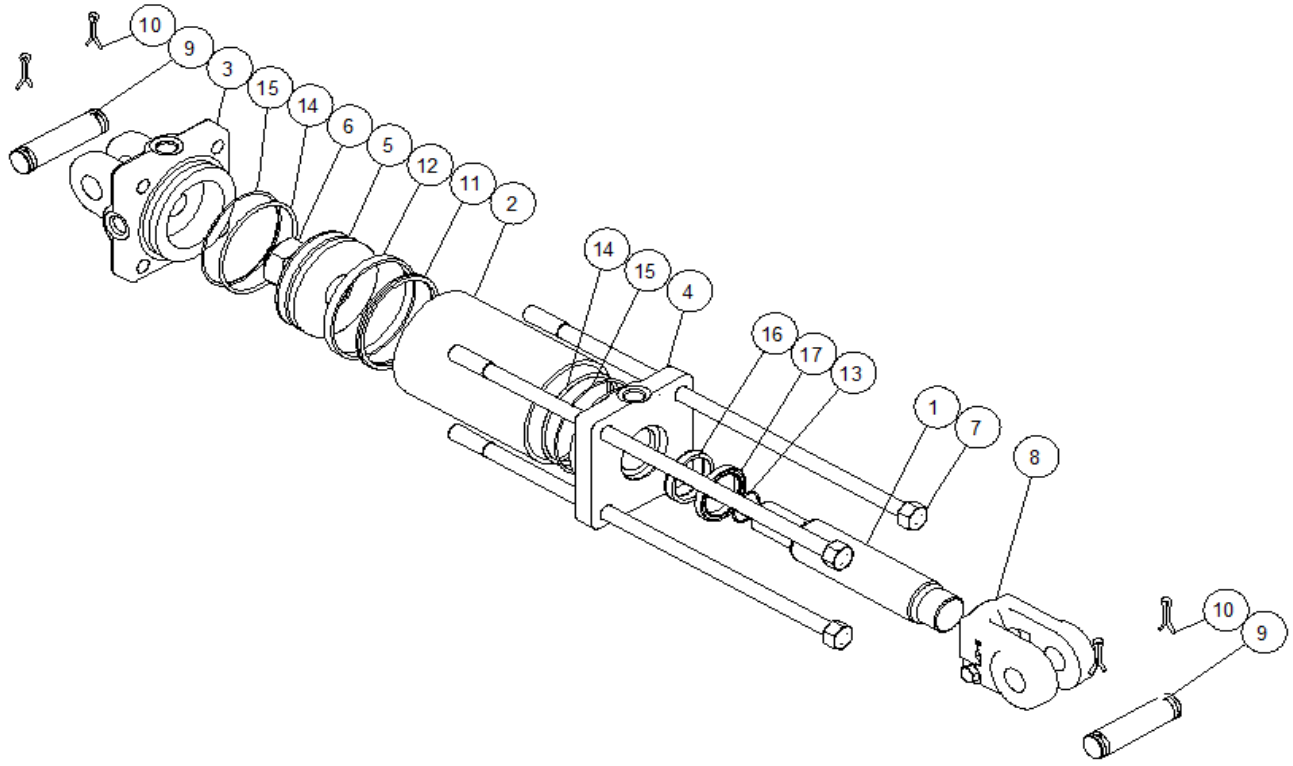
B400000 4.00" BORE 1.75" ROD

MODEL	ITEM	QUANTITY	PART NUMBER	DESCRIPTION
A400080ABACA03B	1	1	011015438A	PISTON ROD
B400100ABACA03B	1	1	011015438A	PISTON ROD
B400120ABACA03B	1	1	011017438A	PISTON ROD
B400140ABACA03B	1	1	011019438A	PISTON ROD
A400160ABACA03B	1	1	011026688A	PISTON ROD
B400180ABACA03B	1	1	011023438A	PISTON ROD
B400200ABACA03B	1	1	011025438A	PISTON ROD
B400240ABACA03B	1	1	011029438A	PISTON ROD
B400300ABACA03B	1	1	011035438A	PISTON ROD
B400360ABACA03B	1	1	011041438A	PISTON ROD
B400480ABACA03B	1	1	011053438A	PISTON ROD
A400080ABACA03B	2	1	051910563A	TUBE
B400100ABACA03B	2	1	051912563A	TUBE
B400120ABACA03B	2	1	051914563A	TUBE
B400140ABACA03B	2	1	051916563A	TUBE
A400160ABACA03B	2	1	051918563A	TUBE
B400180ABACA03B	2	1	051920563A	TUBE
B400200ABACA03B	2	1	051922563A	TUBE
B400240ABACA03B	2	1	051926563A	TUBE



STANDARD TIEROD

3000 PSI



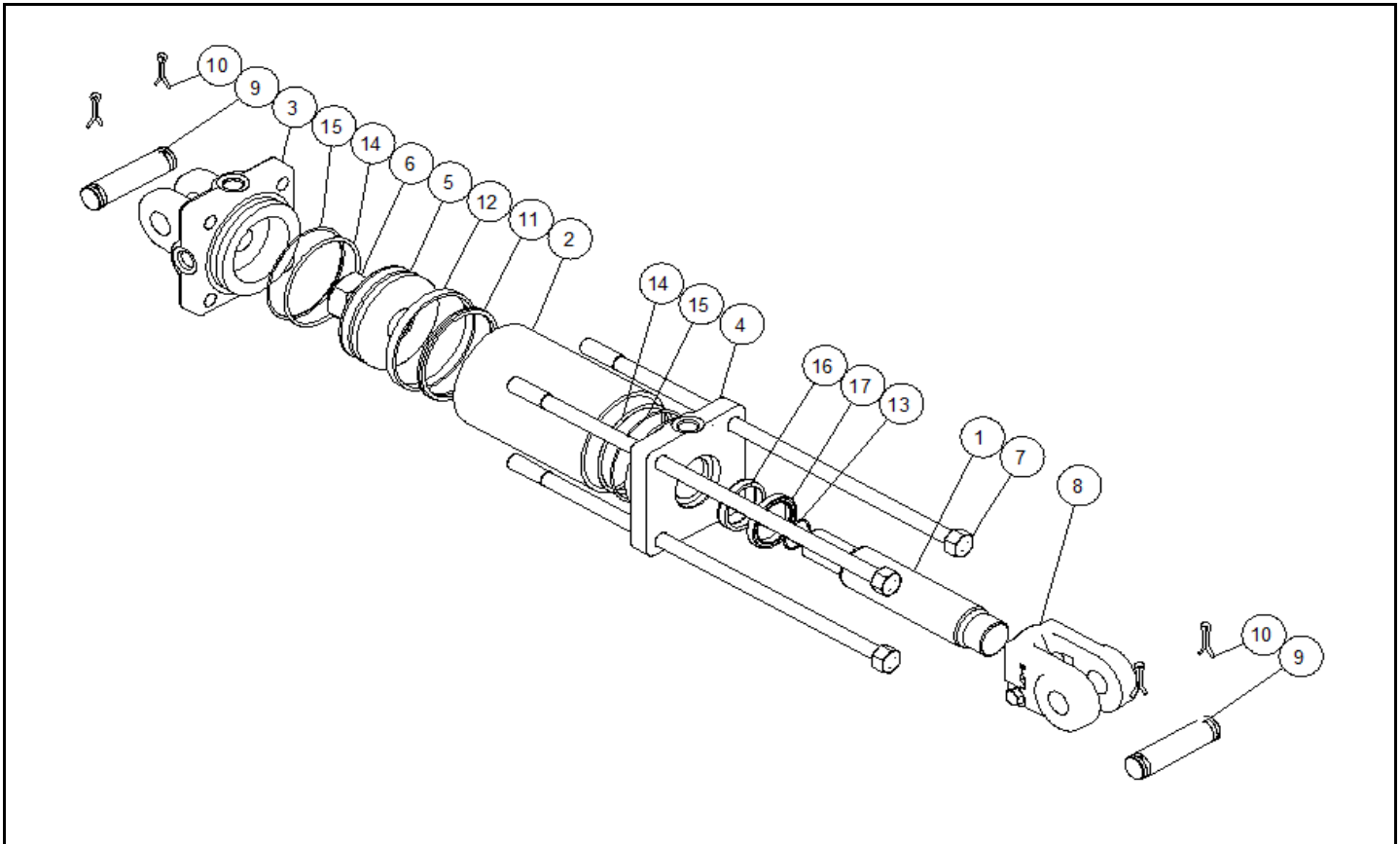
B400000 4.00" BORE 1.75" ROD

MODEL	ITEM	QUANTITY	PART NUMBER	DESCRIPTION
B400300ABACA03B	2	1	051932563A	TUBE
B400360ABACA03B	2	1	051938563A	TUBE
B400480ABACA03B	2	1	051950563A	TUBE
B400000	3	1	1419005SF	BUTT
B400000	4	1	0819BBNSF	GLAND
B400000	5	1	071900260	PISTON
B400000	6	1	220000212	LOCK NUT
A400080ABACA03B	7	4	170301134	TIEROD ASSEMBLY
B400100ABACA03B	7	4	170301154	TIEROD ASSEMBLY
B400120ABACA03B	7	4	170301174	TIEROD ASSEMBLY
B400140ABACA03B	7	4	170301194	TIEROD ASSEMBLY
A400160ABACA03B	7	4	170301214	TIEROD ASSEMBLY
B400180ABACA03B	7	4	170301234	TIEROD ASSEMBLY
B400200ABACA03B	7	4	170301254	TIEROD ASSEMBLY
B400240ABACA03B	7	4	170301294	TIEROD ASSEMBLY
B400300ABACA03B	7	4	170301354	TIEROD ASSEMBLY
B400360ABACA03B	7	4	170301414	TIEROD ASSEMBLY
B400480ABACA03B	7	4	170301534	TIEROD ASSEMBLY
B400000	8	1	100000326	CLEVIS ASSEMBLY



STANDARD TIEROD

3000 PSI



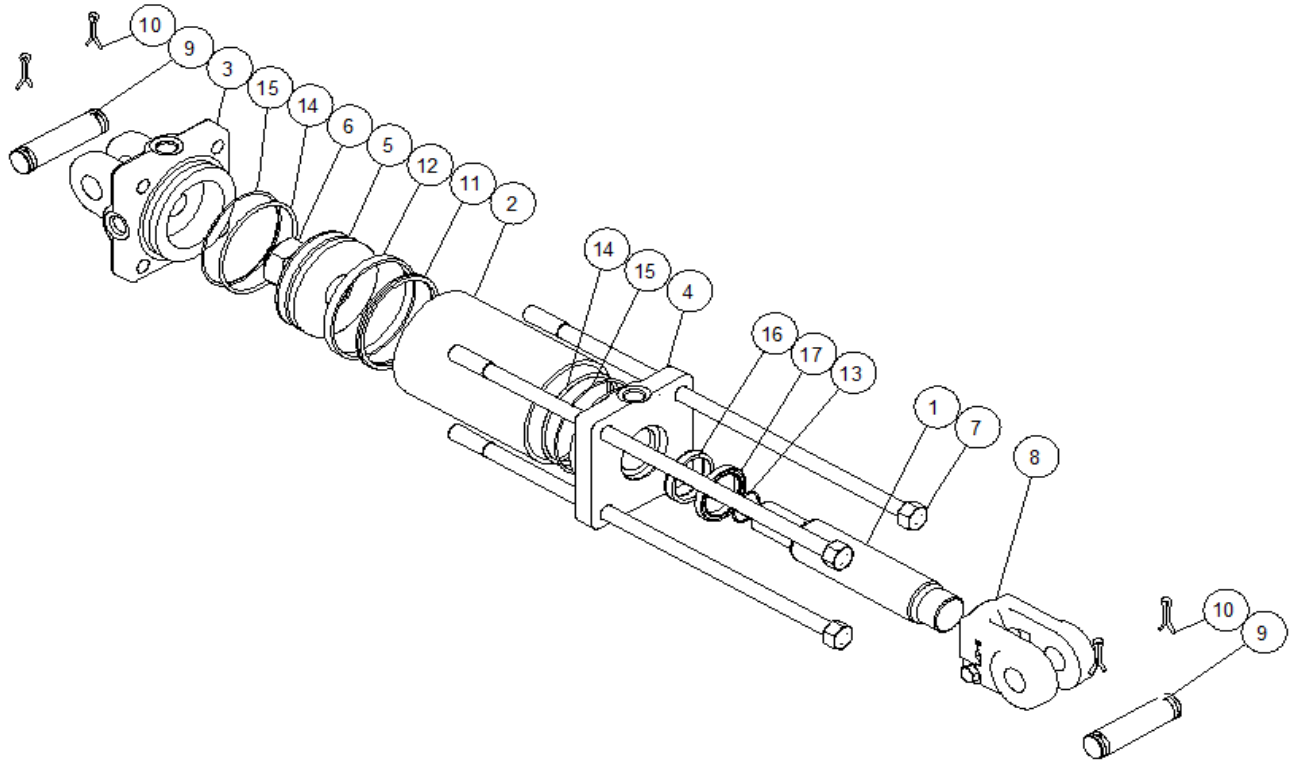
B400000 4.00" BORE 1.75" ROD

MODEL	ITEM	QUANTITY	PART NUMBER	DESCRIPTION
B400000	9	2	190400035	CLEVIS PIN
B400000	10	4	220001504	COTTER PIN
B400000	11	1*	240060342	CROWN SEAL
B400000	12	1*	240011119	BEARING RING
B400000	13	1*	240000026	O-RING
B400000	14	2*	240000240	O-RING
B400000	15	2*	240061240	BU-WASHER
B400000	16	1*	240020007	U-CUP
B400000	17	1*	250014175	WIPER
B400000			*PMCK-B400000	PACKING KIT



STANDARD TIEROD

3000 PSI



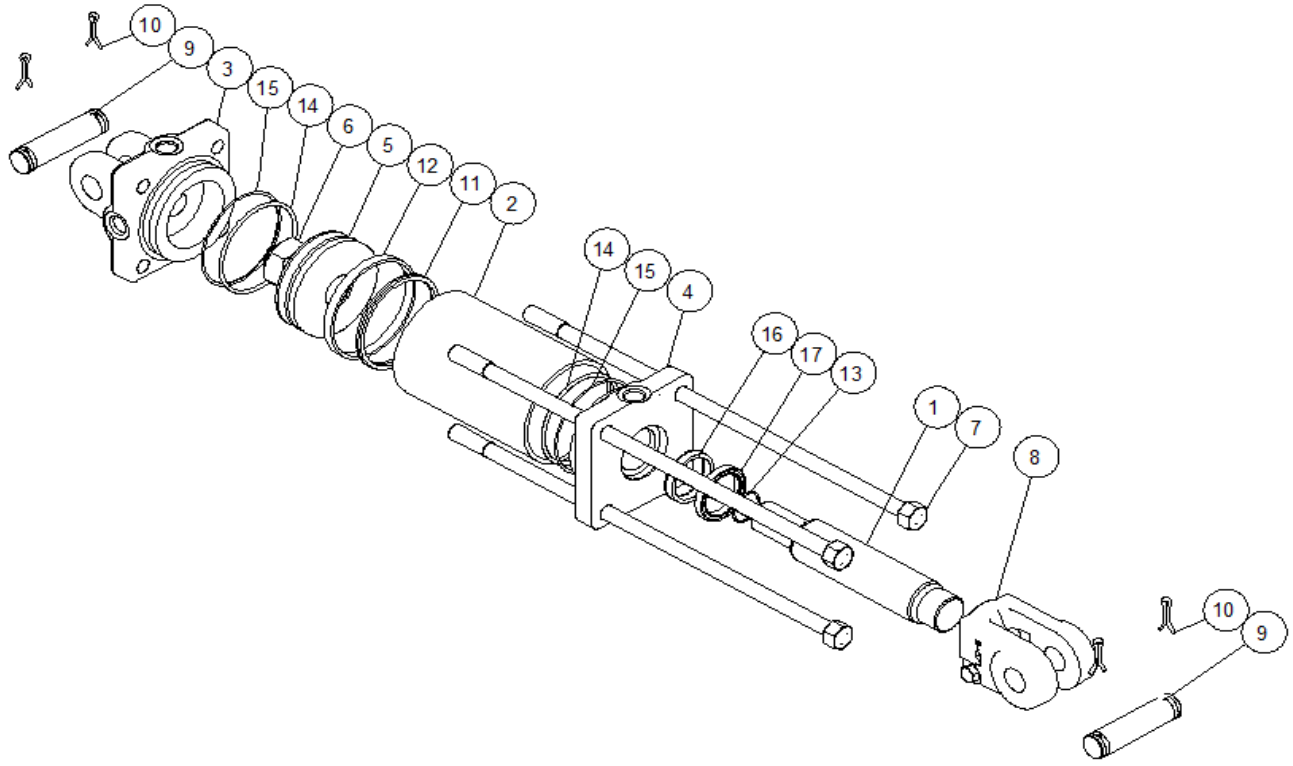
B450000 4.50" BORE 2.00" BORE

MODEL	ITEM	QUANTITY	PART NUMBER	DESCRIPTION
B450080ACDDA03B	1	1	011114625A	PISTON ROD
B450120ACDDA03B	1	1	011118625A	PISTON ROD
B450140ACDDA03B	1	1	011120625A	PISTON ROD
A450160ACDDA03B	1	1	011125875A	PISTON ROD
B450180ACDDA03B	1	1	011124625A	PISTON ROD
B450200ACDDA03B	1	1	011126625A	PISTON ROD
B450240ACDDA03B	1	1	011130625A	PISTON ROD
B450300ACDDA03B	1	1	011136625A	PISTON ROD
B450360ACDDA03B	1	1	011142625A	PISTON ROD
B450480ACDDA03B	1	1	011154625A	PISTON ROD
B450080ACDDA03B	2	1	052011125A	TUBE
B450120ACDDA03B	2	1	052015125A	TUBE
B450140ACDDA03B	2	1	052017125A	TUBE
A450160ACDDA03B	2	1	052019125A	TUBE
B450180ACDDA03B	2	1	052021125A	TUBE
B450200ACDDA03B	2	1	052023125A	TUBE
B450240ACDDA03B	2	1	052027125A	TUBE
B450300ACDDA03B	2	1	052033125A	TUBE
B450360ACDDA03B	2	1	052039125A	TUBE



STANDARD TIEROD

3000 PSI



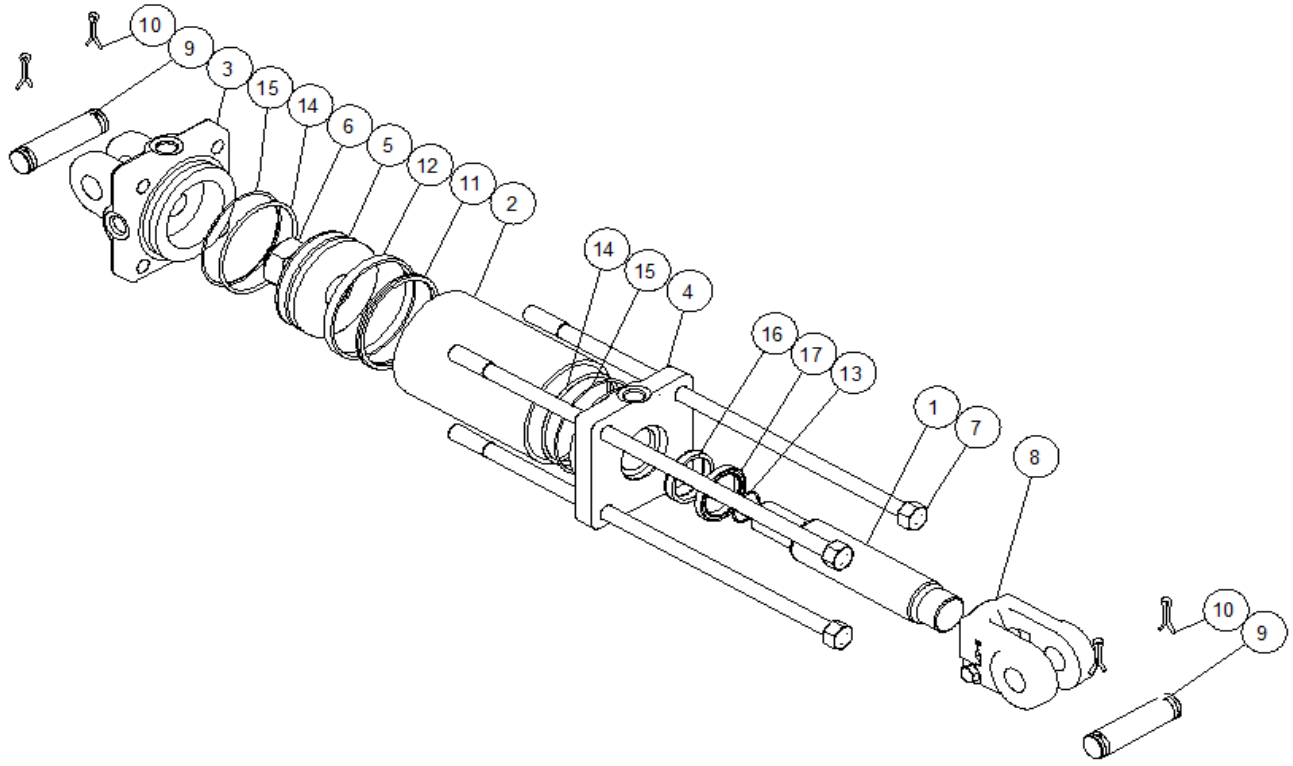
B450000 4.50" BORE 2.00" BORE

MODEL	ITEM	QUANTITY	PART NUMBER	DESCRIPTION
B450480ACDDA03B	2	1	052051125A	TUBE
B450000	3	1	1420007SG	BUTT
B450000	4	1	0820BCASG	GLAND
B450000	5	1	072000081	PISTON
B450000	6	1	220000213	LOCKNUT
B450080ACDDA03B	7	4	170301137	TIEROD ASSEMBLY
B450120ACDDA03B	7	4	170301177	TIEROD ASSEMBLY
B450140ACDDA03B	7	4	170301197	TIEROD ASSEMBLY
A450160ACDDA03B	7	4	170301217	TIEROD ASSEMBLY
B450180ACDDA03B	7	4	170301237	TIEROD ASSEMBLY
B450200ACDDA03B	7	4	170301257	TIEROD ASSEMBLY
B450240ACDDA03B	7	4	170301297	TIEROD ASSEMBLY
B450300ACDDA03B	7	4	170301357	TIEROD ASSEMBLY
B450360ACDDA03B	7	4	170301417	TIEROD ASSEMBLY
B450480ACDDA03B	7	4	170301537	TIEROD ASSEMBLY
B450000	8	1	100000362	CLEVIS ASSEMBLY
B450000	9	2	190600024	CLEVIS PIN
B450000	10	4	220001504	COTTER PIN
B450000	11	1*	240060346	CROWN SEAL



STANDARD TIEROD

3000 PSI



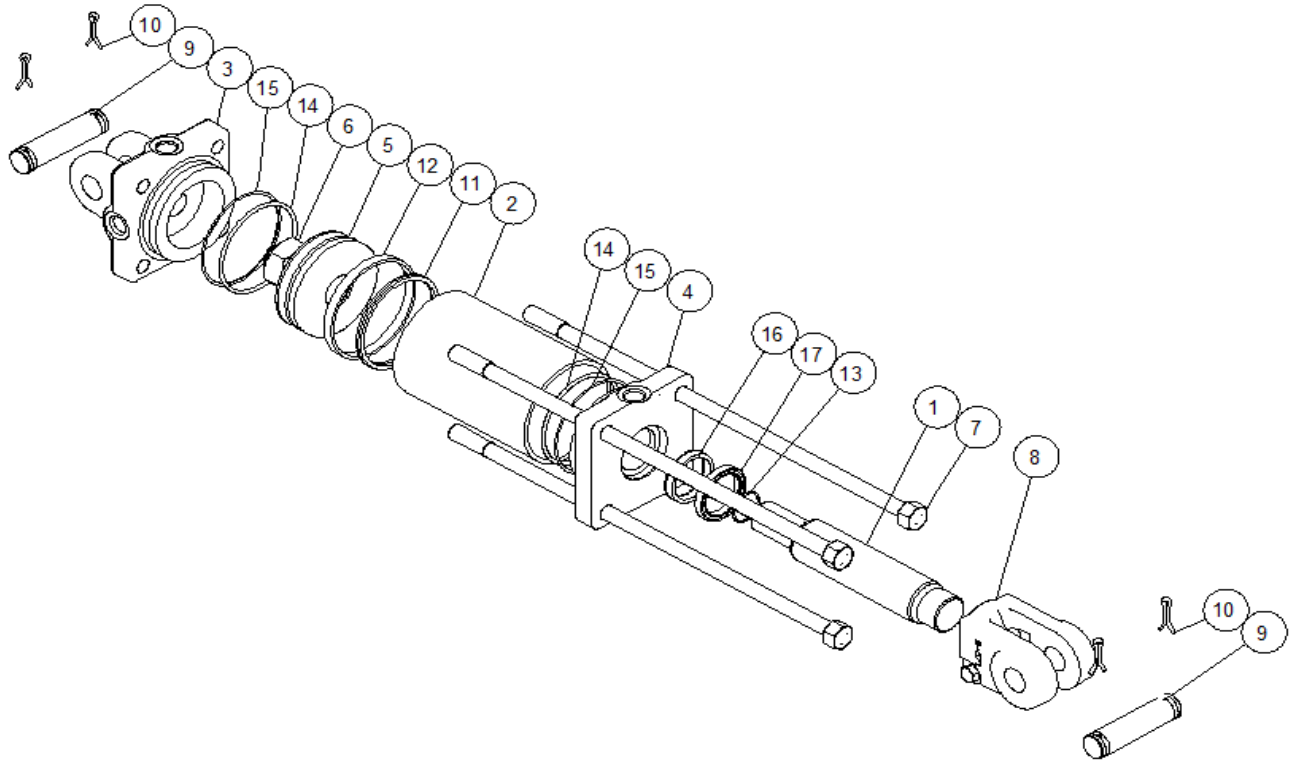
B450000 4.50" BORE 2.00" BORE

MODEL	ITEM	QUANTITY	PART NUMBER	DESCRIPTION
B450000	12	1*	240011007	BEARING RING
B450000	13	1*	240000028	O-RING
B450000	14	2*	240000244	O-RING
B450000	15	2*	240061244	BU-WASHER
B450000	16	1*	240020009	U-CUP
B450000	17	1*	250014200	WIPER
B450000		*	PMCK-B450000	PACKING KIT



STANDARD TIEROD

3000 PSI



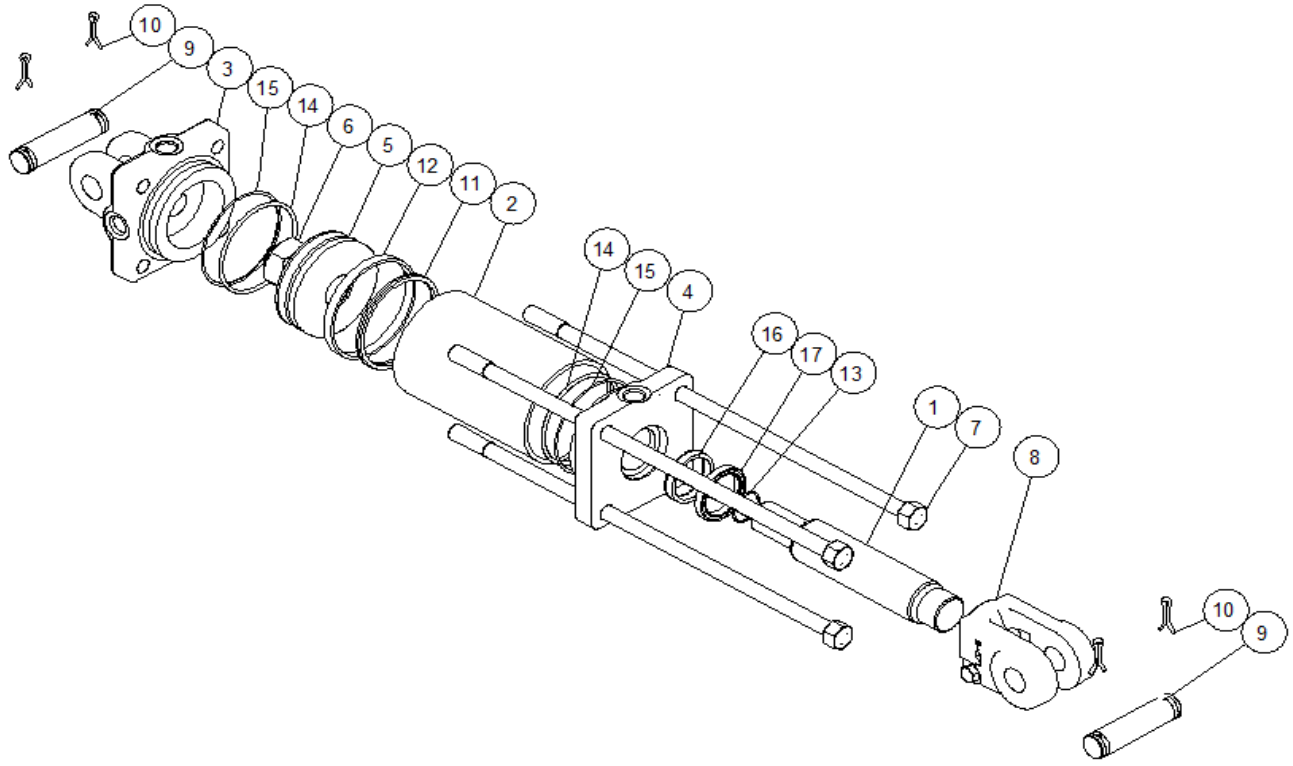
B500000 5.00" BORE 2.00" ROD

MODEL	ITEM	QUANTITY	PART NUMBER	DESCRIPTION
B500080ACDDA03B	1	1	011114875B	PISTON ROD
B500120ACDDA03B	1	1	011118875B	PISTON ROD
B500140ACDDA03B	1	1	011120875B	PISTON ROD
A500160ACDDA03B	1	1	011126125B	PISTON ROD
B500180ACDDA03B	1	1	011124875B	PISTON ROD
B500200ACDDA03B	1	1	011126875B	PISTON ROD
B500240ACDDA03B	1	1	011130875B	PISTON ROD
B500300ACDDA03B	1	1	011136875B	PISTON ROD
B500360ACDDA03B	1	1	011142875B	PISTON ROD
B500480ACDDA03B	1	1	011154875B	PISTON ROD
B500080ACDDA03B	2	1	052110875A	TUBE
B500120ACDDA03B	2	1	052114875A	TUBE
B500140ACDDA03B	2	1	052116875A	TUBE
A500160ACDDA03B	2	1	052118875A	TUBE
B500180ACDDA03B	2	1	052120875A	TUBE
B500200ACDDA03B	2	1	052122875A	TUBE
B500240ACDDA03B	2	1	052126875A	TUBE
B500300ACDDA03B	2	1	052132875A	TUBE
B500360ACDDA03B	2	1	052138875A	TUBE



STANDARD TIEROD

3000 PSI



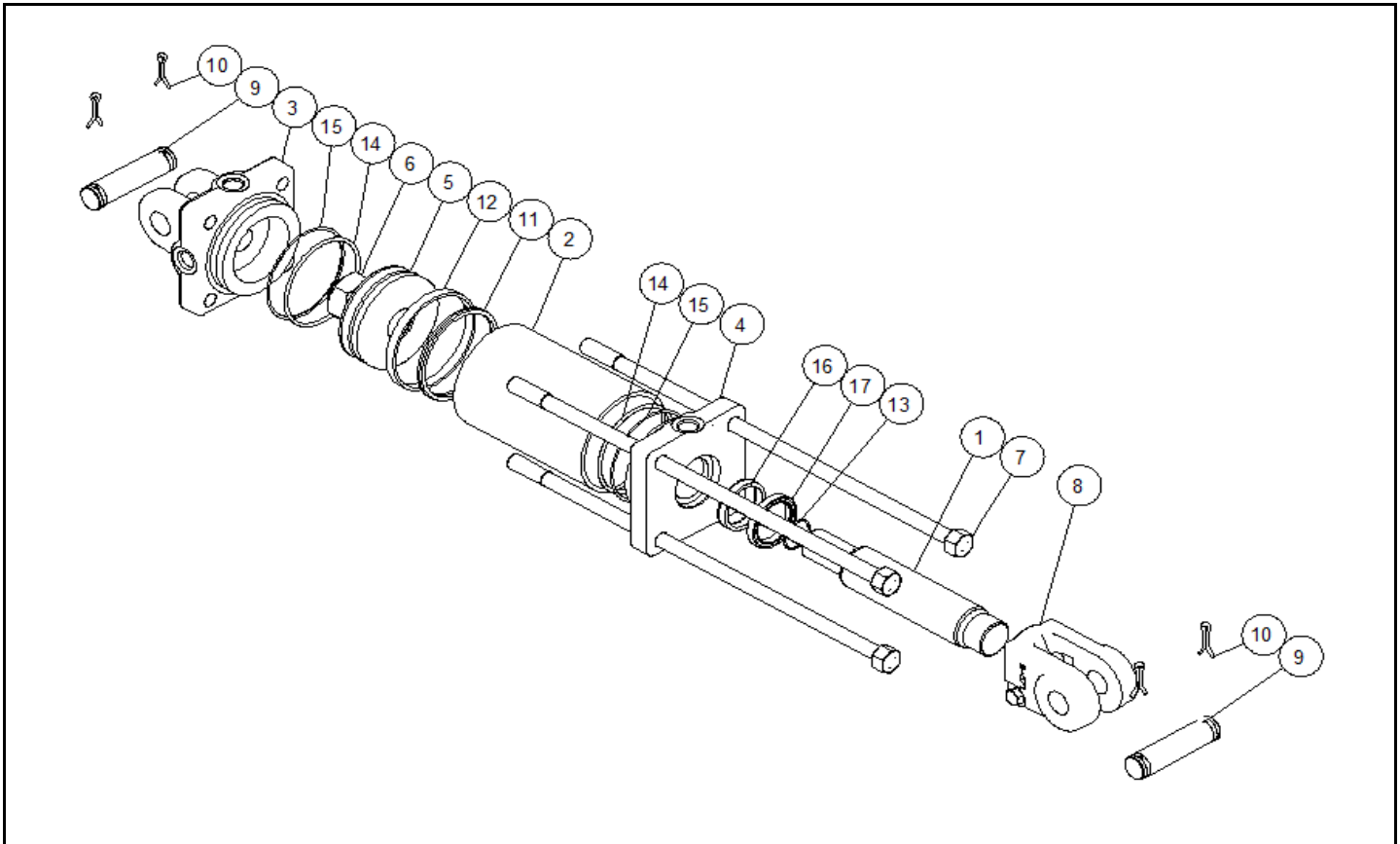
B500000 5.00" BORE 2.00" ROD

MODEL	ITEM	QUANTITY	PART NUMBER	DESCRIPTION
B500480ACDDA03B	2	1	052150875A	TUBE
B500000	3	1	1421007SG	BUTT
B500000	4	1	0821BCASG	GLAND
B500000	5	1	072100243	PISTON
B500000	6	1	220000214	LOCKNUT
B500080ACDDA03B	7	4	170401137	TIEROD ASSEMBLY
B500120ACDDA03B	7	4	170401177	TIEROD ASSEMBLY
B500140ACDDA03B	7	4	170401197	TIEROD ASSEMBLY
A500160ACDDA03B	7	4	170401217	TIEROD ASSEMBLY
B500180ACDDA03B	7	4	170401237	TIEROD ASSEMBLY
B500200ACDDA03B	7	4	170401257	TIEROD ASSEMBLY
B500240ACDDA03B	7	4	170401297	TIEROD ASSEMBLY
B500300ACDDA03B	7	4	170401357	TIEROD ASSEMBLY
B500360ACDDA03B	7	4	170401417	TIEROD ASSEMBLY
B500480ACDDA03B	7	4	170401537	TIEROD ASSEMBLY
B500000	8	1	100000362	CLEVIS ASSEMBLY
B500000	9	2	190600024	CLEVIS PIN
B500000	10	4	220001504	COTTER PIN
B500000	11	1*	240060350	CROWN SEAL



STANDARD TIEROD

3000 PSI



B500000 5.00" BORE 2.00" ROD

MODEL	ITEM	QUANTITY	PART NUMBER	DESCRIPTION
B500000	12	1*	240011009	BEARING RING
B500000	13	1*	240000033	O-RING
B500000	14	2*	240000248	O-RING
B500000	15	2*	240061248	BU-WASHER
B500000	16	1*	240020009	U-CUP
B500000	17	1*	250014200	WIPER
B500000		*	PMCK-B500000	PACKING KIT