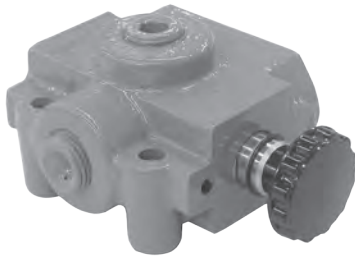


SINGLE SELECTOR VALVE

MODEL SS SELECTOR



The PRINCE valve model SS is a manual 3-way 2 position selector valve. This valve will allow one pump source to supply two circuits. With the standard selector spool pulling the spool out diverts oil to port nearest handle, pushing the spool in diverts oil to the port away from the handle. The valve has an inlet on both the bottom and front of the valve body. Special options include lever handle and a float spool. The float spool connects the inlet to both outlets when the spool is pushed in and blocks both outlets when spool is pulled out.

VALVE SPECIFICATIONS:

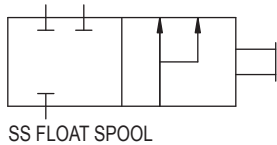
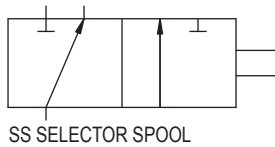
Capacity: 20 gpm max inlet flow
 Pressure: 3000 psi*
 Weight: 4 lbs.

*For use at 3000 psi, a lever handle (handle option E) is recommended.

KITS:

END CAP KIT 660170009
 LEVER HANDLE KIT 660170007
 SEAL KIT 660590006
 KNOB PART NO. 670400031
 SNAP RING PART NO. 230017021
 CLEVIS PART NO. 671900011
 SPRING OFFSET KIT 660170008

SYMBOL



STANDARD MODELS AVAILABLE

MODEL NUMBER	PORT SIZE	DESCRIPTION
SS-2A1D	1/2 NPTF	SELECTOR WITH KNOB HANDLE
SS-3A1D	#8 SAE	SELECTOR WITH KNOB HANDLE
SS-2A1A	1/2 NPTF	SELECTOR WITHOUT ATTACHMENTS
SS-2A1E	1/2 NPTF	SELECTOR WITH LEVER HANDLE
SS-2A1B	1/2 NPTF	SELECTOR WITH CLEVIS

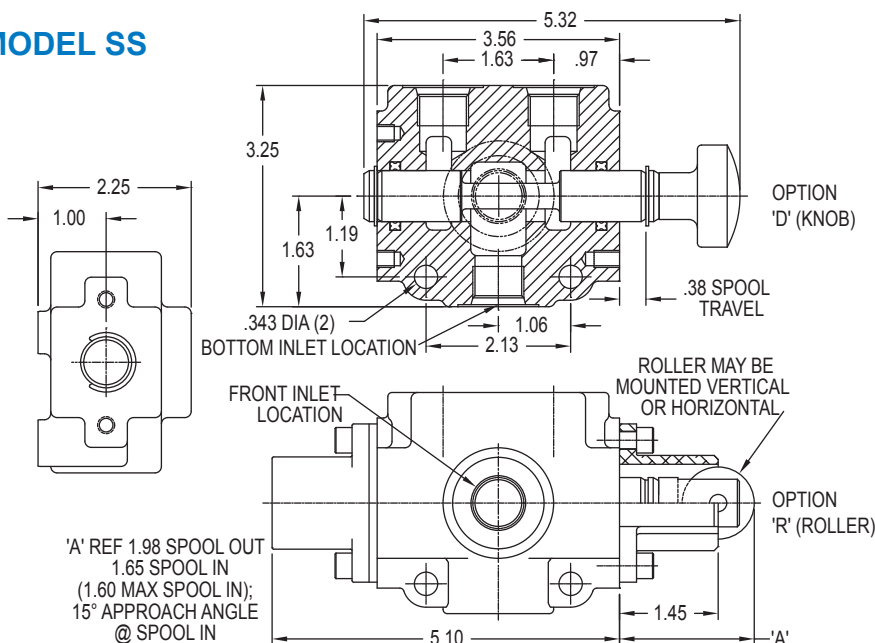
SPECIAL MODEL SS SELECTOR VALVES

Other selector valves not listed as standard above are available in **OEM quantities**. To select a model number use the order code matrix at right. Consult a sales representative if options other than those listed are required.

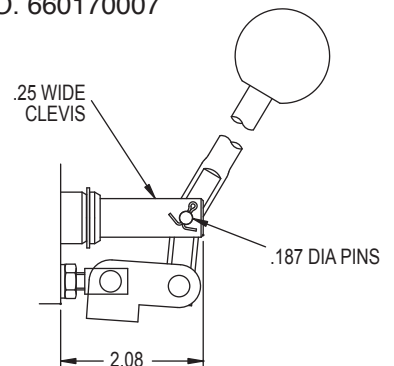
MODEL	PORT SIZE	SPOOL	SPOOL ATTACHMENTS	HANDLE
SS	1-3/8 NPTF 2-1/2 NPTF (standard) 3-#8 SAE 4-#10 SAE	A SELECTOR (standard) B FLOAT	1-NONE (standard) 2-END CAP ONLY 3-SPRING OFFSET, SPOOL OUT 4-HEAVY SPRING OFFSET, SPOOL OUT	A-NONE B-CLEVIS ONLY C-CLEVIS W/ PINS AND LINK D-KNOB (standard) E-LEVER HANDLE R-ROLLER (use w/attachment 4)

PARTS BREAKDOWN AND DIMENSIONS

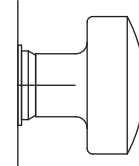
MODEL SS



LEVER HANDLE OPTION E KIT NO. 660170007



KNOB OPTION D PART NO. 670400031



MODEL DS DOUBLE SELECTOR VALVE



The PRINCE valve model DS is a manual 6-way 2 position double selector valve. This valve will divert the flow going to two separate hydraulic circuits. For example two double acting cylinders or two reversible hydraulic motors can be operated by one four-way valve. When the double selector spool is pushed in, the C and D ports (top ports) are connected to the A and E ports (right ports). When the selector spool is pulled out, the C and D ports are connected to the B and F ports (left ports). An optional series/parallel spool is also available. This spool will run two reversible hydraulic motors in series when the spool is out and in parallel when the spool is pushed in.

VALVE SPECIFICATIONS:

Capacity: 40 GPM max inlet flow
 Pressure: 2500 psi
 Weight: 9 lbs.

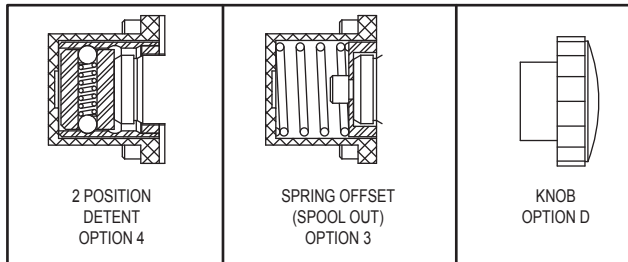
KITS:

LEVER HANDLE 660170001
 SPRING OFFSET KIT 660170003
 2 POSITION DETENT KIT 660170004
 END CAP KIT 660170010
 SEAL KIT 660590005
 KNOB PART NO. 670400029
 SNAP RING PART NO. 230017018
 CLEVIS PART NO. 671400059

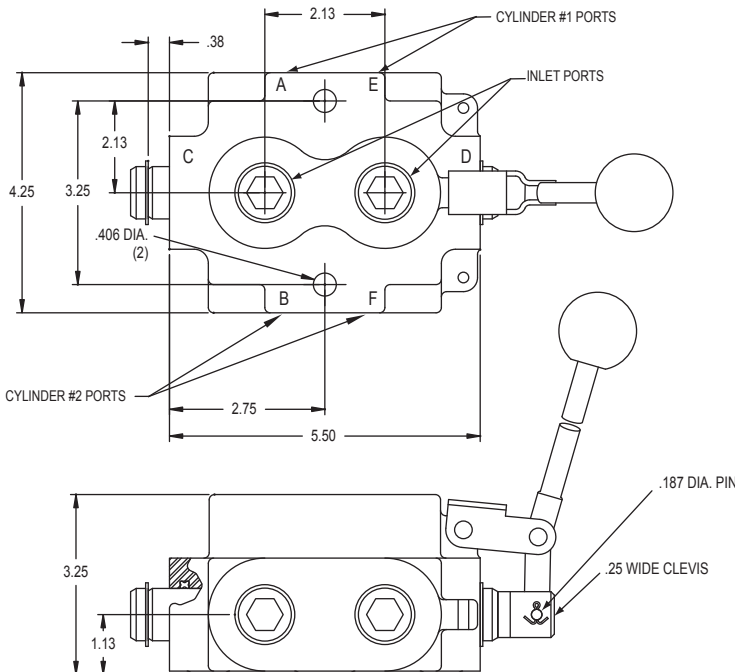
STANDARD MODELS AVAILABLE

MODEL #	PORT SIZE	DESCRIPTION
DS-4A1E	3/4 NPTF	DOUBLE SELECTOR WITH LEVER HANDLE
DS-5A1E	#12 SAE	DOUBLE SELECTOR WITH LEVER HANDLE
DS-4A1D	3/4 NPTF	DOUBLE SELECTOR WITH KNOB HANDLE
DS-4A1A	3/4 NPTF	DOUBLE SELECTOR WITHOUT ATTACHMENTS
DS-1A1E	1/2 NPTF	DOUBLE SELECTOR WITH LEVER HANDLE

SPECIAL MODEL DS SELECTOR VALVES Other double selector valves not listed as standard are available in OEM quantities. To select a model number use the order code matrix below. Consult a sales representative if options other than those listed are required.



MODEL	PORT SIZE	SPOOL TYPE	SPOOL ATTACHMENTS	HANDLE
DS	1 - 1/2 NPTF 2 - #8 SAE 3 - #10 SAE 4 - 3/4 NPTF (standard) 5 - #12 SAE 6 - 1 NPTF	A SELECTOR (standard) B SERIES/ PARALLEL	1 - NONE (standard) 2 - END CAP ONLY 3 - SPRING OFFSET SPOOL OUT 4 - 2 POSITION DETENT 5 - HYDRAULIC ACTUATOR (REQUIRES HANDLE OPT. A)	A - NONE B - CLEVIS ONLY C - CLEVIS W/ PINS AND LINK D - KNOB E - LEVER HANDLE (standard)



SYMBOL SELECTOR SPOOL

