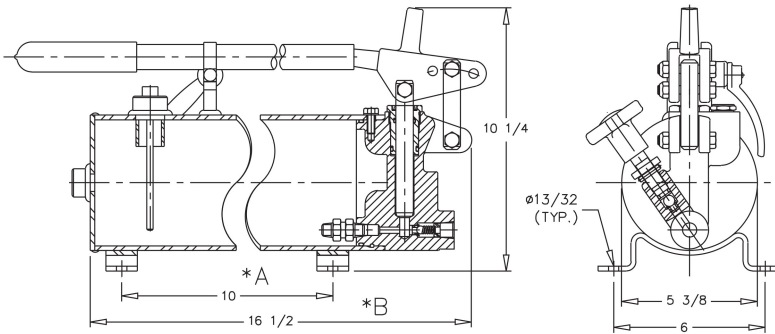




# PRINCE HAND PUMPS

CYLINDERS AND ACCESSORIES



MODEL	WT.	RESERVOIR SIZE
PM-HP-15B	35 lbs.	1 1/2 Gallon
PM-HP-10B	30 lbs.	1 Gallon
PM-HP-5B	27 lbs.	1/2 Gallon

Used for 1000-3000 PSI

	A	B
PM-HP-15B	16 9/16	22 5/8
*PM-HP-10B	10	16 1/2
PM-HP-5B	3 7/16	9 15/16

\* Frequently stocked items



## FEATURES

The Prince Hand Pump offers definite advantages over similar components of higher cost. The pump has unique design features which insure versatility. The handle can be used in (2) positions. The pump can be mounted vertically and horizontally. There are (3) different volume and pressure settings.

Position 1: 1.25 cu. in. per stroke—1500 psi\*  
 Position 2: .95 cu. in. per stroke—2000 psi\*  
 Position 3: .60 cu. in. per stroke—3000 psi\*

\*At applied force of 60-65 lbs. on handle. (Pressure to 6,000 psi can be developed with more force)

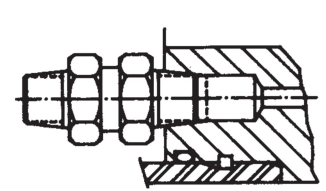
## APPLICATIONS

This hand pump is designed for use wherever hydraulic pressure is needed without large flow requirements. Its sturdy design and positive sealing features will provide excellent service with a minimum of care. Uses range from mobile equipment to shop presses. Recommended temperatures may range from -40°F to 300°F. Most general purpose hydraulic oils can be used.

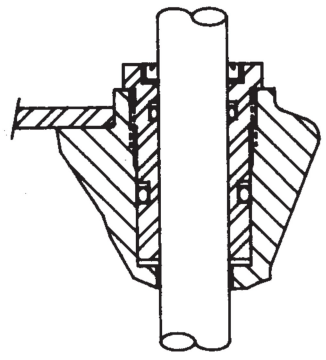
## HYDRAULIC CYLINDER APPLICATIONS

This pump is designed for use with single acting cylinders. It may be used with double acting cylinders provided a two-way hand valve is used to direct the flow and a return port is installed on the reservoir.

## FEATURES



**REPLACEABLE INLET CHECK VALVE**  
 Zero leakage check valve assembly can be easily replaced when necessary.



**REMOVABLE PACKING GLAND**  
 Packing gland seals can be easily replaced when necessary. Gland is removable with standard tools. New seals are readily available.

## SPECIFICATIONS

- PISTON ..... 11/16" dia. Chromed & Ground Steel
- PRESSURE SEALS ... O-ring & Hytrel Back-up Washers
- HANDLE .....Extra—heavy Pipe, 14 3/4" long
- HANDLE POSITION ..... Selective — two-position
- PORT SIZE ..... 3/8 NPTF
- RESERVOIR ..... Steel Tubing
- MOUNTING FIXTURES ..... 4-Bolt Foot Mount for 3/8 Bolts
- MOUNTING ..... Horizontal or vertical
- FLOAT CHECK ..... Prevent oil from sloshing out
- DIPSTICK ..... To check oil level
- HANDLE CARRIER ..... To prevent losing handle
- COLOR IS GLOSS BLACK