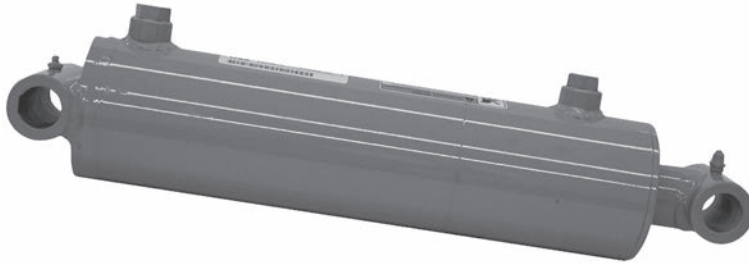




8 INCH BORE WELDED CYLINDER

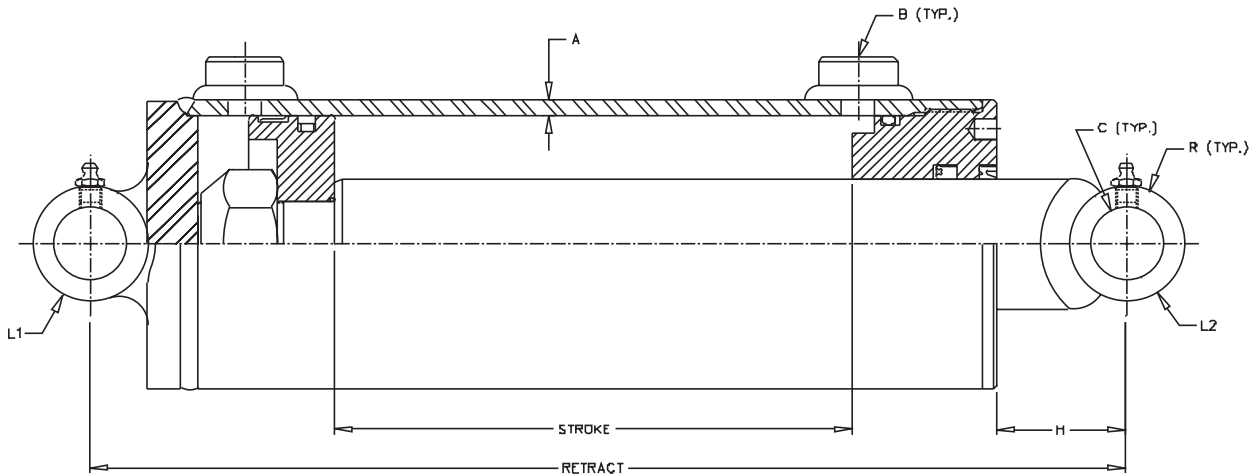
3000 PSI STANDARD DUTY

8 INCH BORE Welded-Double Acting-3000 PSI



FEATURES:

- Welded construction
- Chromed, ground, and polished piston rod
- Skived tubing
- Ductile iron piston & thread-in Ductile iron gland
- Teflon cap seal & wear ring on piston
- Urethane u-cup, metal encased wiper, & wear ring on piston rod
- Crosstube end fittings with grease zerks
- Color is gloss black
- 3000 PSI maximum operating pressure
- 3000 PSI maximum peak spike pressure



Rods are sized for a maximum safe push load (2:1 safety factor) given in the table. This is based on the pin configuration shown with no center support. Recommended pin material 100,000 PSI minimum yield strength

Model No.	Style	Wt	PSI	Column Load (Lbs)	Ret	Rod Dia.	A	B	C	R	H	L1	L2
SAE-68008	8 x 8	250	3000	Full PSI	24	4	.38	#16 SAE	2.515	4	3	9	5
SAE-68012	8 x 12	275	3000	Full PSI	28	4	.38	#16 SAE	2.515	4	3	9	5
SAE-68016	8 x 16	300	3000	Full PSI	32	4	.38	#16 SAE	2.515	4	3	9	5
SAE-68020	8 x 20	325	3000	Full PSI	36	4	.38	#16 SAE	2.515	4	3	9	5
SAE-68024	8 x 24	350	3000	Full PSI	40	4	.38	#16 SAE	2.515	4	3	9	5
SAE-68030	8 x 30	385	3000	Full PSI	46	4	.38	#16 SAE	2.515	4	3	9	5
SAE-68036	8 x 36	425	3000	Full PSI	52	4	.38	#16 SAE	2.515	4	3	9	5
SAE-68048*	8 x 48	500	3000	Full PSI	66	4	.38	#16 SAE	2.515	4	3	9	5
SAE-68054*	8 x 54	540	3000	Full PSI	73	4	.38	#16 SAE	2.515	4	3	9	5
SAE-68060*	8 x 60	580	3000	Full PSI	80	4	.38	#16 SAE	2.515	4	3	9	5

Application Note:

This Prince standard cylinder is designed for standard duty applications. It is not appropriate for applications that experience high shock loads, high spike pressures, high side loads, or have a high duty cycle. This product is not intended for use on personnel lift or crane applications. Consult your sales representative for cylinders designed to meet these applications.

Note: * Spacers included in these models