



V A L V E S

WVS Mono-Block Directional Control Valves



FEATURES:

- 1-6 spool mono-block
- 4000 PSI rating
- #8 SAE O-ring in/out Ports
- #8 SAE O-ring work ports
- Interchangeable motor spool
- Load check
- Parallel cylinder spools
- Adjustable relief
- Enclosed handle design
- Open center – field convertible to power beyond & closed center not included
- Low spool leakage (3cc/min @ 1500 PSI)
- Nominal Flow 14 GPM

WVS Mono-Block Directional Control Valve Assemblies

| VALVE MODEL NO. | NO. OF SPOOLS | SPOOL TYPE, ACTION | WEIGHT (POUNDS) | LIST PRICE |
|-----------------|---------------|--|-----------------|------------|
| WVS11B5C1 | 1 | 4 WAY 3 POSITION, SPRING CENTER TO NEUTRAL, ALL SPOOLS | 6.2 | 217.10 |
| WVS11C5C1 | 1 | 4 WAY 3 POSITION MOTOR, 3 POSITION DETENT, ALL SPOOLS | 6.5 | 258.70 |
| WVS21BB5C1 | 2 | 4 WAY 3 POSITION, SPRING CENTER TO NEUTRAL, ALL SPOOLS | 9.9 | 356.60 |
| WVS31BBB5C1 | 3 | 4 WAY 3 POSITION, SPRING CENTER TO NEUTRAL, ALL SPOOLS | 13.9 | 477.40 |
| WVS41BBB5C1 | 4 | 4 WAY 3 POSITION, SPRING CENTER TO NEUTRAL, ALL SPOOLS | 17.6 | 603.50 |
| WVS51BBBB5C1 | 5 | 4 WAY 3 POSITION, SPRING CENTER TO NEUTRAL, ALL SPOOLS | 21.3 | 707.70 |
| WVS61BBBBB5C1 | 6 | 4 WAY 3 POSITION, SPRING CENTER TO NEUTRAL, ALL SPOOLS | 25.1 | 836.70 |

WVS Directional Control Valve Parts

| PART NO. | DESCRIPTION | LIST PRICE |
|-----------|--|------------|
| 612104080 | DOUBLE ACTING SPOOL | 44.00 |
| 612104081 | MOTOR SPOOL | 44.00 |
| 612104082 | FLOAT SPOOL PLUS DETENT POSITIONER (CAN BE USED ON ANY SPOOL LOCATION) | 110.20 |
| 660370002 | POWER BEYOND PLUG / CLOSED CENTER PLUG | 33.00 |
| 660270007 | RELIEF VALVE (750-1100) (51-75) | 52.30 |
| 660270008 | RELIEF VALVE (1100-2200) (76-150) | 52.30 |
| 660270009 | RELIEF VALVE (2200-3200) (151-220) | 52.30 |
| 660270010 | RELIEF VALVE (3200-4785) (221-330) | 52.30 |
| 660170066 | HANDLE WITH KNOB | 10.80 |
| 660370003 | HANDLE HOUSING | 33.00 |
| 660370004 | JOYSTICK KIT (FIELD INSTALLABLE) (HANDLE INCLUDED) | 184.30 |
| 660170067 | JOYSTICK HANDLE WITH KNOB | 43.80 |
| 660570005 | SEAL KIT (COMPLETE FOR UP TO 6 SECTIONS INCLUDING OR SEAL FOR MAIL RELIEF VALVE) | 50.20 |
| 660170069 | SPRING CENTER KIT | 49.30 |
| 660170068 | 3 POSITION DETENT KIT (DETENT IN POSITION 1, 0, AND 2) | 69.90 |



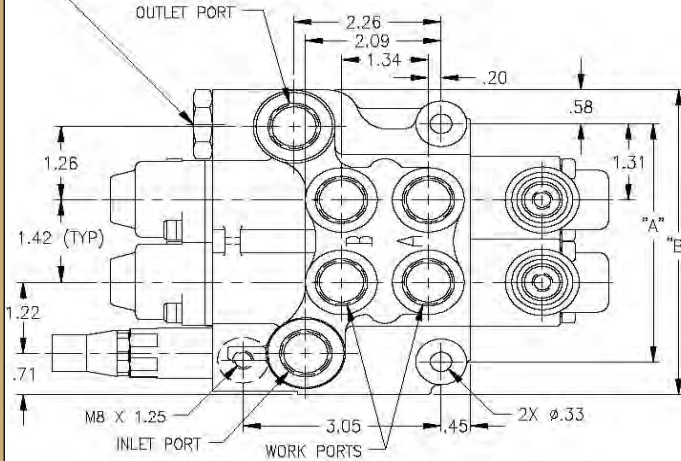
V A L V E S

Model WVS Specifications and Dimensional Data

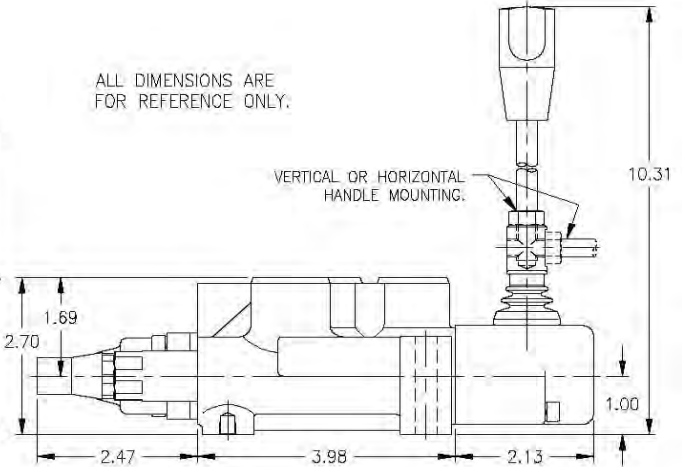
MAXIMUM OPERATING PRESSURE 4000 PSI
 MAXIMUM TANK PRESSURE 300 PSI
 NOMINAL FLOW RATING 14 GPM
 MAXIMUM OPERATING TEMPERATURE 180° F

STRAIGHT HANDLE LENGTH: 7.1 INCHES
 FILTRATION RECOMMENDATIONS: ISO 4406 19 / 17 / 14
 SPOOL SEALS IN INTERNAL O-RING GROOVES
 HIGH PRESSURE ADJUSTABLE RELIEF ADJUSTMENT RANGE
 2200-3200 PSI (PRESET TO 2500 PSI)

NOTE: WITH POWER BEYOND SLEEVE INSTALLED THE TOP OUTLET PORT BECOMES POWER BEYOND PORT AND OUTLET PORT IS LOCATED HERE.



ALL DIMENSIONS ARE FOR REFERENCE ONLY:



INLET & OUTLET PORTS: #8 SAE/ORB (3/4-16UNF-2B)
 ALL WORK PORTS: #8 SAE/ORB (3/4-16UNF-2B)
 OPTIONAL POWER BEYOND SLEEVE: #8 SAE/ORB (3/4-16UNF-2B)

NUMBER OF SPOOLS:

| | 1 | 2 | 3 | 4 | 5 | 6 |
|-----|------|------|------|------|------|-------|
| "A" | 2.68 | 4.09 | 5.51 | 6.93 | 8.35 | 9.76 |
| "B" | 3.82 | 5.24 | 6.65 | 8.07 | 9.49 | 10.91 |

Performance Curves

