



V A L V E S

Mono-Block Directional Control Valves



FEATURES:

- 1-6 spool mono-block
- 3500 PSI rating
- #8 SAE O-ring in/out Ports
- #8 SAE O-ring work ports
- Interchangeable motor spool
- Load check
- Parallel cylinder spools
- Adjustable relief
- Enclosed handle design
- Open center – field convertible to power beyond & closed center included
- Low spool leakage (3cc/min @ 1500 PSI)
- Hardened steel spools

MB Mono-Block Directional Control Valve Assemblies

VALVE MODEL NO.	NO. OF SPOOLS	SPOOL TYPE, ACTION	WEIGHT (POUNDS)	LIST PRICE
MB11B5C1	1	4 WAY 3 POSITION, SPRING CENTER TO NEUTRAL, ALL SPOOLS	6.9	150.70
MB11C5C1	1	4 WAY 3 POSITION MOTOR, 3 POSITION DETENT, ALL SPOOLS	7.2	189.70
MB11G5C1	1	4 WAY 4 POSITION FLOAT, SPRING CENTER W/FLOAT DETENT	7.2	314.20
MB21BB5C1	2	4 WAY 3 POSITION, SPRING CENTER TO NEUTRAL, ALL SPOOLS	9.7	238.70
MB21GB5C1	2	4 WAY 4 POSITION FLOAT, SPRING CENTER W/FLOAT DETENT, 1 ST SPOOL 4 WAY 3 POSITION, SPRING CENTER TO NEUTRAL, 2 ND SPOOL	10.2	334.80
MB31BBB5C1	3	4 WAY 3 POSITION, SPRING CENTER TO NEUTRAL, ALL SPOOLS	12.8	376.90
MB41BBBB5C1	4	4 WAY 3 POSITION, SPRING CENTER TO NEUTRAL, ALL SPOOLS	16.1	434.60
MB51BBBBB5C1	5	4 WAY 3 POSITION, SPRING CENTER TO NEUTRAL, ALL SPOOLS	19.2	532.10
MB61BBBBBB5C1	6	4 WAY 3 POSITION, SPRING CENTER TO NEUTRAL, ALL SPOOLS	22.2	630.00

MB Mono-Block Directional Control Valve Parts

PART NO.	DESCRIPTION	LIST PRICE
671400306	ALUMINUM END CAP WITH SCREWS	10.90
671400307	GLASS FILLED NYLON END CAP WITH SCREWS	6.10
660170060	ALUMINUM ENCLOSED HANDLE HOUSING	29.40
660170055	HANDLE WITH KNOB	10.60
660170061	JOYSTICK KIT (field installable)	184.20
612100001	MOTOR SPOOL	47.70
671900122	POWER BEYOND PLUG / CLOSED CENTER PLUG	3.70
660570003	SEAL KIT	45.40
660170058	THREE POSITION DETENT KIT	45.40
660170057	SPRING CENTER KIT	13.40
660270005	RELIEF VALVE (2000-3500)	56.20
660170056	GLASS FILLED NYLON ENCLOSED HANDLE HOUSING	21.20
670400111	HANDLE KNOB	4.20
612000001	3 WAY TANDEM SPOOL (single acting)	48.20
670300133	580 – 1160 PSI RELIEF SPRINGS	12.00
670300134	913 – 2900 PSI RELIEF SPRINGS	12.00
660270006	NO RELIEF PLUG	20.60

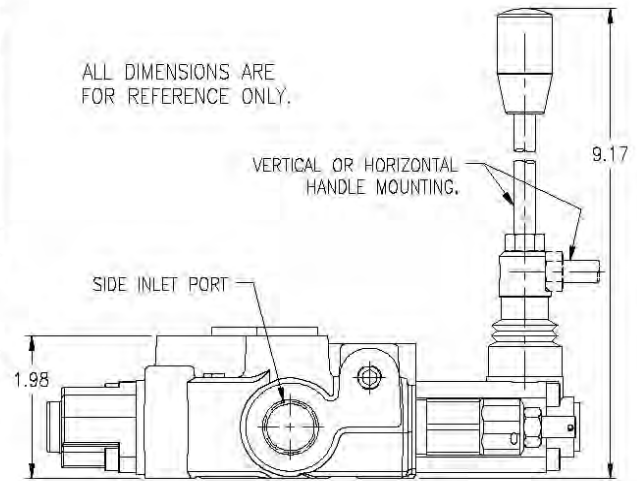
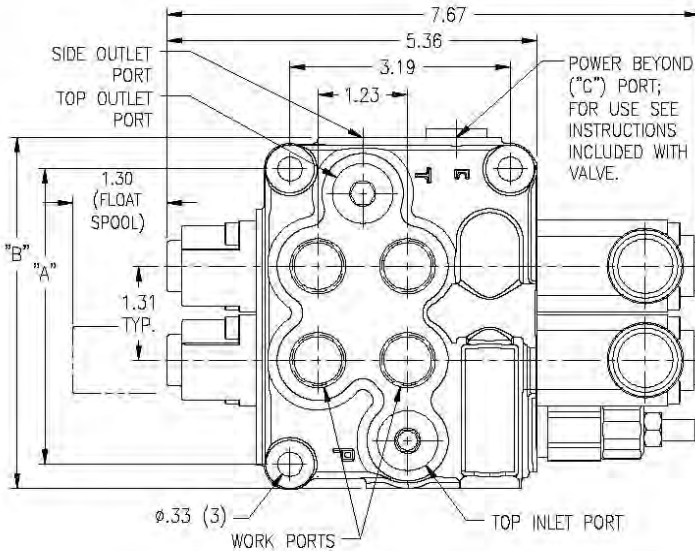


V A L V E S

Model MB Specifications and Dimensional Data

MAXIMUM OPERATING PRESSURE 3500 PSI
 MAXIMUM POWER BEYOND PRESSURE 3000 PSI
 MAXIMUM TANK PRESSURE 500 PSI
 NOMINAL FLOW RATING 8 GPM
 MAXIMUM OPERATING TEMPERATURE 180° F

STRAIGHT HANDLE LENGTH: 5.8 INCHES
 FILTRATION RECOMMENDATIONS: ISO 4406 19 / 17 / 14
 SPOOL SEALS IN INTERNAL O-RING GROOVES
 HIGH PRESSURE ADJUSTABLE RELIEF ADJUSTMENT RANGE
 2000-3500 PSI (PRESET TO 2500 PSI @ 6 GPM)



ALL DIMENSIONS ARE FOR REFERENCE ONLY.

INLET AND OUTLET PORTS: #8 SAE/ORB (3/4-16UNF-2B)
 ALL WORK PORTS: #8 SAE/ORB (3/4-16UNF-2B)
 POWER BEYOND PORT: #8 SAE/ORB (3/4-16UNF-2B)

NUMBER OF SPOOLS:

	1	2	3	4	5	6
"A"	2.87	4.33	5.79	7.24	8.70	10.16
"B"	3.78	5.16	6.62	8.07	9.53	10.99

Performance Curves

