



V A L V E S

WLVS / WLVT 2-Spool Loader Valve Assemblies

FEATURES:



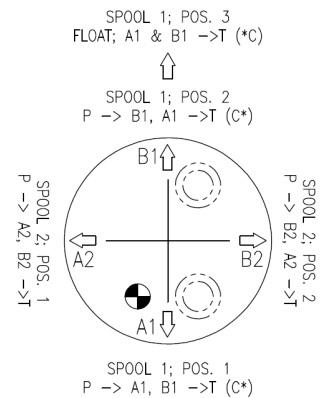
- **WLVS:** Series circuit, open center, convertible to power beyond only
- **WLVT:** Parallel circuit, open center, convertible to power beyond or closed center
- Conversion plugs are included
- Low spool leakage (3cc/min @ 1500 PSI)
- Adjustable inlet relief
- Load check on each spool
- Top & side inlet & outlet ports
- Float detent on spool A1-B1
- Joystick control w/dual spool lock
- Painted gloss black

THE WLVS SERIES VALVE IS NOT FOR USE IN CLOSED CENTER SYSTEMS

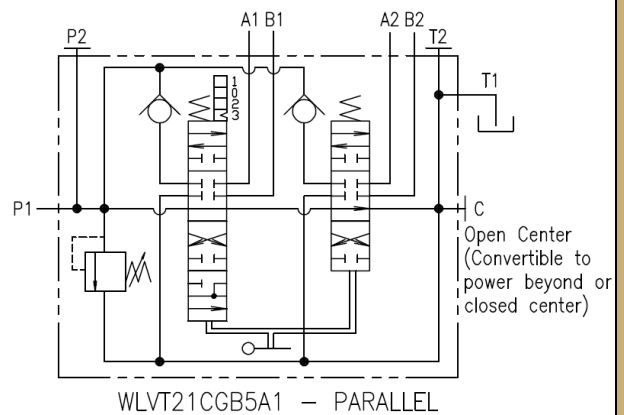
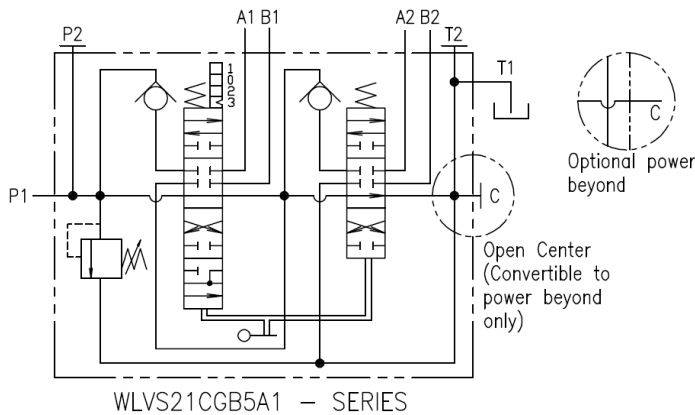
WLVS / WLVT Assemblies, Parts and Accessories

MODEL NO.	DESCRIPTION	WEIGHT (POUNDS)	LIST PRICE
WLVS21CGB5A1	LOADER VALVE ASSY, SERIES CIRCUIT	13	365.00
WLVT21CGB5A1	LOADER VALVE ASSY, PARALLEL CIRCUIT	13	365.00

PART NO.	DESCRIPTION	LIST PRICE
612104092	SPOOL, 4-WAY FLOAT A1-B1	34.00
612104093	SPOOL, 4-WAY TANDEM CENTER A2-B2	32.00
660170105	LOAD CHECK KIT (ONE PER SPOOL)	16.50
660170106	POWER BEYOND PLUG ASSY	8.00
660170107	JOYSTICK KIT, COMPLETE W/HANDLE & BOOT	65.00
660170112	LEVER W/HEX NUT, JOYSTICK	3.50
670400134	KNOB, JOYSTICK	2.75
660170111	CLOSED CENTER PLUG ASSY (WLVT ONLY)	7.35
660270014	RELIEF CART ASSY, ADJUSTABLE 2000-3500 PSI	62.00
660570008	SEAL KIT, WLVS/WLVT	6.75



-VALVE MUST BE INSTALLED WITH WORK PORTS TOWARDS OPERATOR'S RIGHT TO ACHIEVE JOYSTICK FUNCTION SHOWN.
 - * WHEN P.B. PLUG IS INSTALLED ON THE SERIES VALVE, ALL RETURN FLOW IS DIRECTED TO THE P.B. PLUG WHEN THE 1st SPOOL A1/B1 ALONE IS SHIFTED.





V A L V E S

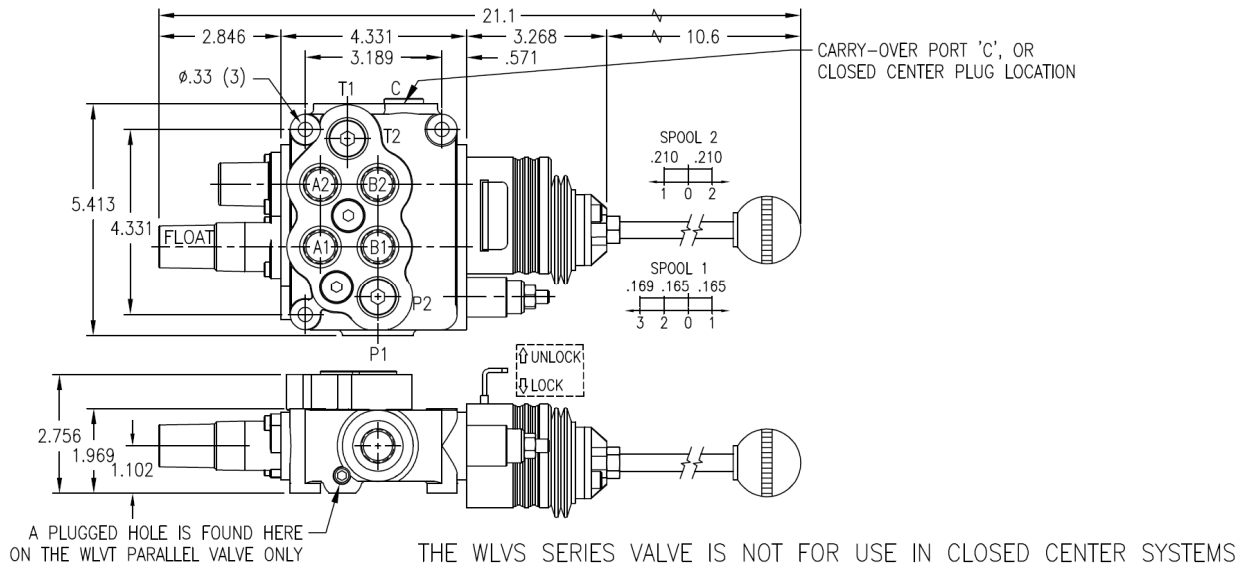
WLVS / WLVT Specifications & Dimensional Data

SPECIFICATIONS:

- WLVS: Series circuit valve, open center
- WLVT: Parallel circuit valve, open center
- Nominal flow 12 GPM
- Max operating pressure 3625 PSI
- Max tank pressure 290 PSI
- Max operating temperature 180°F

SPOOL OPERATION:

- #1 A1/B1: Cylinder spool, float, spring center
- #2 A2/B2: Cylinder spool, spring center
- Inlet/outlet/tank ports: #8 SAE/ORB
- Adjustable Relief, 2500 PSI @ 10GPM
- (2000-3500 PSI adjustment range)
- Filtration recommendation: ISO 4406 19/17/14



Performance Curves

