



PUMPS

HAND PUMPS



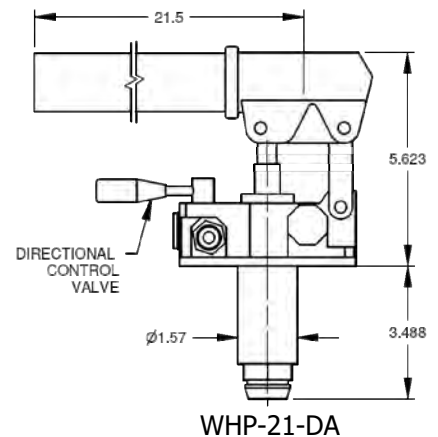
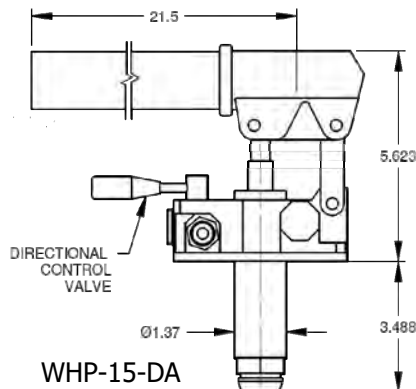
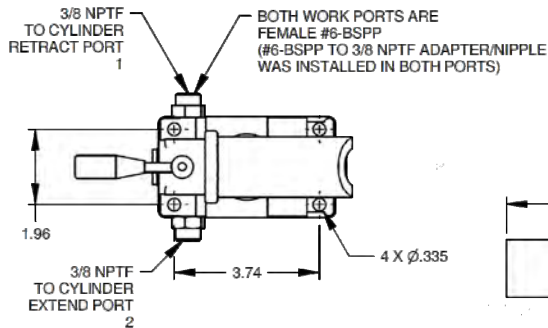
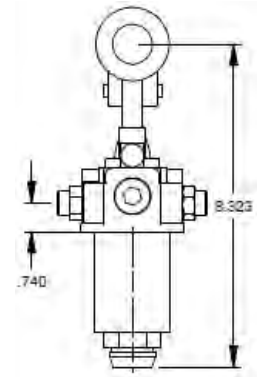
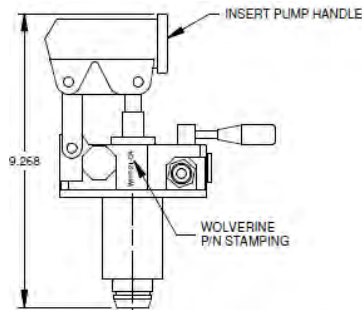
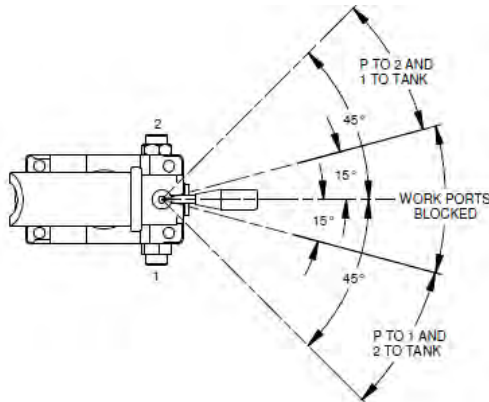
FEATURES:

- Up to 3500 PSI Working Pressure
- "SA" Series is Single Acting
- "DA" Series have a built in Directional Control Valve
- 1.5 and 2.1 Cubic Inch Per Cycle (one up and one down)



Model Hand Pumps – Double Acting Heads

MODEL No.	DESCRIPTION	SHIPPING WEIGHT (pounds)	LIST PRICE
WHP-15-DA	1.5 CUBIC INCH DOUBLE ACTING HEAD	10	204.80
WHP-21-DA	2.1 CUBIC INCH DOUBLE ACTING HEAD	10	210.00
240040088	HEAD / TANK SEAL KIT	1	18.90
230009009	1/4" DIA STEEL BALL VALVE SEAT	.001	5.30





PUMPS

HAND PUMPS



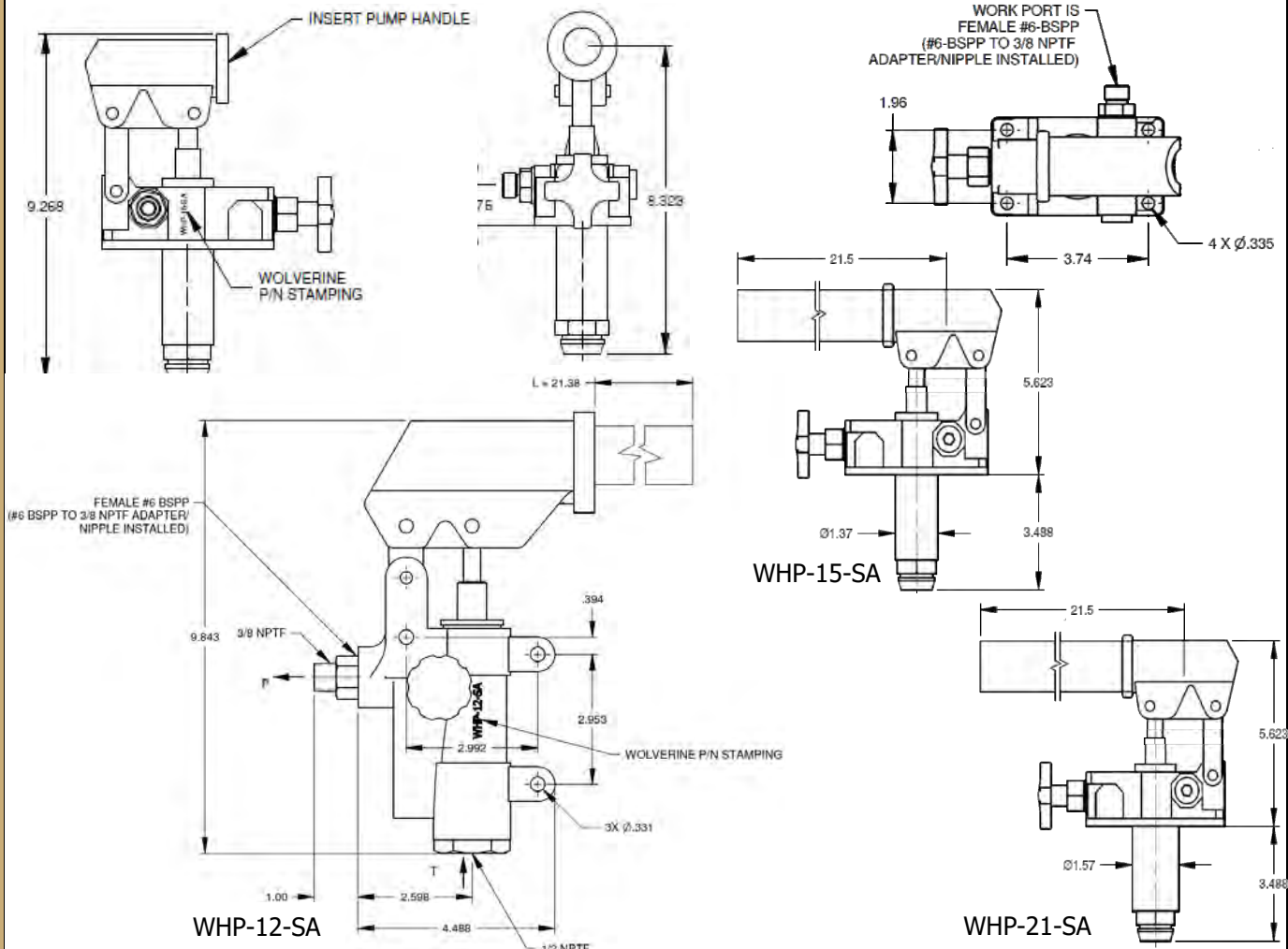
FEATURES:

- Up to 3500 PSI Working Pressure
- "SA" Series is Single Acting
- "DA" Series have a built in Directional Control Valve
- 1.5 and 2.1 Cubic Inch Per Cycle (one up and one down)



Model Hand Pumps – Single Acting Heads

MODEL No.	DESCRIPTION	SHIPPING WEIGHT (pounds)	LIST PRICE
WHP-12-SA	1.2 CUBIC INCH SINGLE ACTING HEAD - NO TANK REQUIRED	10	236.30
WHP-15-SA	1.5 CUBIC INCH SINGLE ACTING HEAD	10	189.00
WHP-21-SA	2.1 CUBIC INCH SINGLE ACTING HEAD	10	210.00
230009009	1/4" DIA STEEL BALL VALVE SEAT	.001	5.30





PUMPS

HAND PUMPS



FEATURES:

- Steel tanks available in 0.8 and 1.3 gallon
- Aluminum tank available in 0.25 gallon
- Mounting brackets standard feature
- Steel tanks painted black
- Fill port 1/4 BSPP
- Drain port 3/8 BSPP

Model Hand Pump Tanks

MODEL No.	DESCRIPTION	SHIPPING WEIGHT (pounds)	LIST PRICE
WHP-T-300	STEEL TANK, 300 CU IN. 1.3 GAL	7	81.90
WHP-T-180	STEEL TANK, 180 CU IN. 0.8 GAL	5	63.00
WHP-T-60	ALUMINUM TANK, 60 CU IN. 0.25 GAL	4	52.50