



# Standard Tie-Rod Options

## TIE-ROD MODEL CODE IDENTIFICATION MATRIX

### MODEL CODE SYSTEM

# B 350 160 ABAAA07B

**MODELS:**

B=B SERIES-3000 PSI w/ROYAL PLATE  
 A=ASAE VERSION OF B SERIES  
 w/ROYAL PLATE (8" & 16" Strokes  
 only, 8" stroke not available  
 in 4.5" & 5" bore size.)  
 F=F SERIES - 3000 PSI  
 E=ASAE VERSION OF F SERIES

**BORE SIZE:**

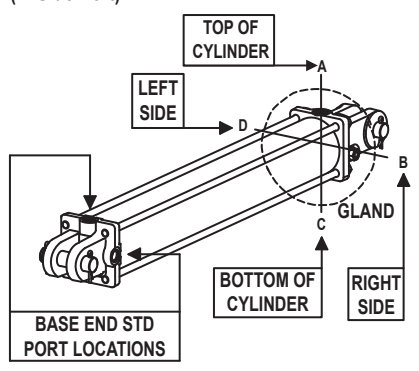
200=2.00" Bore 400=4.00" Bore  
 250=2.50" Bore 450=4.50" Bore  
 300=3.00" Bore 500=5.00" Bore  
 350=3.50" Bore

**STROKE: (Inches)**

First two digits are in inches  
 Third digit is 0-7 representing  
 1/8's of an inch for custom strokes.  
 Consult Prince for over 48"

**GLAND PORT LOCATIONS: (See Pictorial Below)**

A=(Top Port, STD)  
 B=(R. Side Port)  
 C=(Bottom Port)  
 D=(L. Side Port)



PORT LOCATION DETERMINED FROM VIEWING  
 CYLINDER FROM BASE END.

(See Table Below) **PORT STYLE & SIZE:**

| CODE | PORT TYPE & SIZE     | CYLINDER BORE SIZE (Inch) |      |      |      |      |      |      |
|------|----------------------|---------------------------|------|------|------|------|------|------|
|      |                      | 2.00                      | 2.50 | 3.00 | 3.50 | 4.00 | 4.50 | 5.00 |
| A    | #6 SAE ORB (9/16-18) | O                         | O    | O    | O    | O    | O    | O    |
| B    | #8 SAE ORB (3/4-16)  | S                         | S    | S    | S    | S    | O    | O    |
| C    | #10 SAE ORB (7/8-14) |                           |      |      |      |      | S    | S    |
| D    | NPTF 3/8             | O                         | O    | O    | O    | O    | O    | O    |
| E    | NPTF 1/2             | O                         | O    | O    | O    | O    | O    | O    |
| F    | NPTF 3/4             |                           |      |      |      |      |      | O    |

Table Identifiers: (For Tables Above)

S-STANDARD O-OPTIONAL BLANK-NOT AVAILABLE

**CARTON & DECAL CODE**

A=No carton-Std decals, Installed  
 B=Carton-Std decals, Installed (STD)  
 C=No carton-Std decals, Loose  
 D=Carton-Std decals, Loose  
 E=No carton-Std decals, customer I.D. decal, Installed  
 F=Carton-Std decals, customer I.D. decal, Installed  
 G=No carton-Std decals, customer I.D. decal, Loose  
 H=Carton-Std decals, customer I.D. decal, Loose  
 J=No carton-Customer I.D. decal, Installed  
 K=Carton-Customer I.D. decal, Installed  
 L=No carton-Customer I.D. decal, Loose  
 M=Carton-Customer I.D. decal, Loose  
 N=No carton-Warning decals, Installed  
 P=Carton-Warning decals, Installed  
 Q=No carton-Warning decal, Loose  
 R=Carton-Warning decals, Loose  
 S=No carton-Warning, Customer I.D. decal, Installed  
 T=Carton-Warning, Customer I.D. decal Installed  
 U=No carton-Warning, Customer I.D. decal, Loose  
 V=Carton-Warning, Customer I.D. decal, Loose

**PAINT:**

|                      |                  |
|----------------------|------------------|
| 00=No Paint          | 14=Gloss White   |
| 01=Gloss Red         | 20=Red Primer    |
| 03=Highway Yellow    | 30=Black Primer  |
| 04=Canary Yellow     | 35=Naval Gray    |
| 05=Green             | 50=Yellow Primer |
| 06=Blue              | 53=Gray Primer   |
| 07=Gloss Black (STD) | 55=Silver Gray   |
|                      | 58=Gray          |

**CLEVIS PIN INSTALLATION & RETAINER OPTIONS:**

A=Cotter Pins & Clevis Pin(s) Shipped Loose (STD)  
 B=Cotter Pins & Clevis Pin(s) Installed  
 C=No Retainers, Clevis Pin(s) Shipped Loose if Selected

| AVAILABLE CLEVIS<br>PIN OPTIONS | CYLINDER BORE SIZE (Inch) |      |      |      |      |      |      |
|---------------------------------|---------------------------|------|------|------|------|------|------|
|                                 | 2.00                      | 2.50 | 3.00 | 3.50 | 4.00 | 4.50 | 5.00 |
| 1.00"Ø PIN                      | S                         | S    | S    | S    |      |      |      |
| 1.00"Ø HARDENED PIN             | O                         | O    | O    | O    | S    |      |      |
| 1.25"Ø HARDENED PIN             |                           |      |      |      | O    | S    | S    |

**CLEVIS PIN OPTIONS & AVAILABILITY: (See Table Above)**

|                          |                         |
|--------------------------|-------------------------|
| A=2-1.00"Ø Pins          | E=1-1.00"Ø Pin          |
| B=Reserved               | F=Reserved              |
| C=2-1.00"Ø Hardened Pins | G=1-1.00"Ø Hardened Pin |
| D=2-1.25"Ø Hardened Pins | H=1-1.25"Ø Hardened Pin |
|                          | J= No Pins              |

**END FITTING OPTIONS: (See Table Above)**

A=Ø1.00" Pin Holes, Both Ends  
 B=Ø1.00" Base End Pin Hole, No Rod Clevis  
 C=Ø1.00" Pin Holes, Both Ends, Stroke Control Assy \*  
 D=Ø1.25" Pin Holes, Both Ends  
 E=Ø1.25" Base End Pin Hole, No Rod Clevis  
 \*(ASAE Version 2.0-3.5" Bore with 8" stroke only)