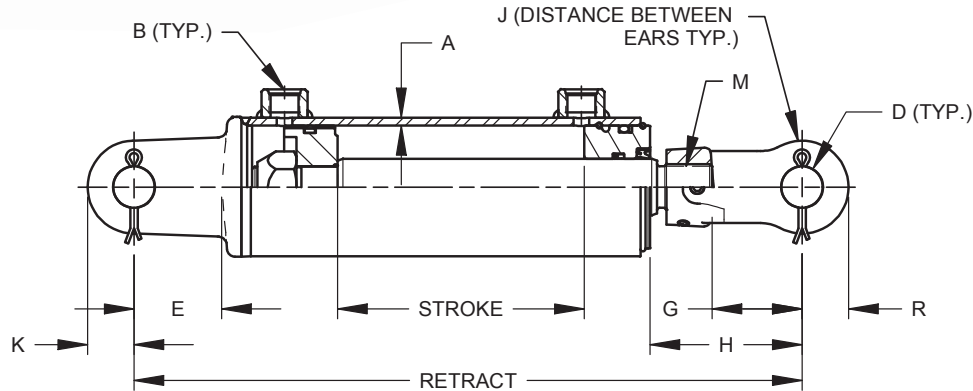


THE "MAGNUM" Welded-DA-Heavy Duty-3000 PSI-Clevis



FEATURES:

- Clevis cylinders
- Heavy duty welded construction
- Unitized piston
- Chromed, ground, and polished piston rod
- Standard color is black
- Double Acting
- 3000 PSI maximum operating pressure
- Replaces The Sword Line



Rods are sized for a maximum safe push load (2:1 safety factor) given in the table. This is based on the pin configuration shown with no center support.

Model No.	Style	Wt.	PSI	Column Load (Lbs.)	Retract	Rod Dia	A	B	D	E	H	J	K	M	R
PC2008CL	2 X 8	15	3000	FULL PSI	18 1/4	1 1/8	3/16	#8 SAE	1	2 1/8	5 11/16	1 1/16	1	1 1/8-12	1 1/8
*PC2008CL-ASAE	2 X 8	15	3000	FULL PSI	20 1/4	1 1/8	3/16	#8 SAE	1	2 1/8	5 11/16	1 1/16	1	1 1/8-12	1 1/8
*PC2010CL	2 X 10	16	3000	FULL PSI	20 1/4	1 1/8	3/16	#8 SAE	1	2 1/8	3 11/16	1 1/16	1	1 1/8-12	1 1/8
*PC2016CL	2 X 16	21	3000	6,814	26 1/4	1 1/8	3/16	#8 SAE	1	2 1/8	8 15/16	1 1/16	1	1 1/8-12	1 1/8
*PC2016CL-ASAE	2 X 16	21	3000	6,814	31 1/2	1 1/8	3/16	#8 SAE	1	2 1/8	8 15/16	1 1/16	1	1 1/8-12	1 1/8
*PC2020CL	2 X 20	25	3000	6,924	30 1/4	1 1/8	3/16	#8 SAE	1	2 1/8	3 11/16	1 1/16	1	1 1/8-12	1 1/8
*PC2024CL	2 X 24	28	3000	5,169	34 1/4	1 1/8	3/16	#8 SAE	1	2 1/8	3 11/16	1 1/16	1	1 1/8-12	1 1/8
*PC2508CL	2 1/2 X 8	19	3000	FULL PSI	18 1/4	1 1/4	3/16	#8 SAE	1	2 1/8	5 11/16	1 1/16	1	1 1/8-12	1 1/8
*PC2508CL-ASAE	2 1/2 X 8	19	3000	FULL PSI	20 1/4	1 1/4	3/16	#8 SAE	1	2 1/8	5 11/16	1 1/16	1	1 1/8-12	1 1/8
*PC2510CL	2 1/2 X 10	20	3000	FULL PSI	20 1/4	1 1/4	3/16	#8 SAE	1	2 1/8	3 15/16	1 1/16	1	1 1/8-12	1 1/8
*PC2512CL	2 1/2 X 12	21	3000	FULL PSI	22 1/4	1 1/4	3/16	#8 SAE	1	2 1/8	3 15/16	1 1/16	1	1 1/8-12	1 1/8
*PC2516CL	2 1/2 X 16	26	3000	10,274	26 1/4	1 1/4	3/16	#8 SAE	1	2 1/8	9 1/4	1 1/16	1	1 1/8-12	1 1/8
*PC2516CL-ASAE	2 1/2 X 16	26	3000	10,274	31 1/2	1 1/4	3/16	#8 SAE	1	2 1/8	9 1/4	1 1/16	1	1 1/8-12	1 1/8
*PC2520CL	2 1/2 X 20	31	3000	10,456	30 1/4	1 1/4	3/16	#8 SAE	1	2 1/8	4	1 1/16	1	1 1/8-12	1 1/8
*PC2524CL	2 1/2 X 24	34	3000	7,825	34 1/4	1 1/4	3/16	#8 SAE	1	2 1/8	4	1 1/16	1	1 1/8-12	1 1/8
*PC3008CL	3 X 8	23	3000	FULL PSI	18 1/4	1 3/8	3/16	#8 SAE	1	2 1/8	5 11/16	1 1/16	1 1/8	1 1/8-12	1 1/8
*PC3008CL-ASAE	3 X 8	23	3000	FULL PSI	20 1/4	1 3/8	3/16	#8 SAE	1	2 1/8	5 11/16	1 1/16	1 1/8	1 1/8-12	1 1/8
*PC3010CL	3 X 10	24	3000	FULL PSI	20 1/4	1 3/8	3/16	#8 SAE	1	2 1/8	3 11/16	1 1/16	1 1/8	1 1/8-12	1 1/8
*PC3012CL	3 X 12	26	3000	FULL PSI	22 1/4	1 3/8	3/16	#8 SAE	1	2 1/8	3 11/16	1 1/16	1 1/8	1 1/8-12	1 1/8
PC3016CL	3 X 16	32	3000	15,358	26 1/4	1 3/8	3/16	#8 SAE	1	2 1/8	8 15/16	1 1/16	1 1/8	1 1/8-12	1 1/8
PC3016CL-ASAE	3 X 16	32	3000	15,358	31 1/2	1 3/8	3/16	#8 SAE	1	2 1/8	8 15/16	1 1/16	1 1/8	1 1/8-12	1 1/8
*PC3020CL	3 X 20	34	3000	15,666	30 1/4	1 3/8	3/16	#8 SAE	1	2 1/8	3 11/16	1 1/16	1 1/8	1 1/8-12	1 1/8
*PC3024CL	3 X 24	38	3000	11,695	34 1/4	1 3/8	3/16	#8 SAE	1	2 1/8	3 11/16	1 1/16	1 1/8	1 1/8-12	1 1/8
*PC3508CL	3 1/2 X 8	29	3000	FULL PSI	18 1/4	1 3/8	3/16	#8 SAE	1	2 1/8	5 11/16	1 1/16	1 1/4	1 5/16-12	1 1/4
*PC3508CL-ASAE	3 1/2 X 8	29	3000	FULL PSI	20 1/4	1 3/8	3/16	#8 SAE	1	2 1/8	5 11/16	1 1/16	1 1/4	1 5/16-12	1 1/4
*PC3510CL	3 1/2 X 10	30	3000	FULL PSI	20 1/4	1 3/8	3/16	#8 SAE	1	2 1/8	3 11/16	1 1/16	1 1/4	1 5/16-12	1 1/4
*PC3512CL	3 1/2 X 12	32	3000	FULL PSI	22 1/4	1 3/8	3/16	#8 SAE	1	2 1/8	3 11/16	1 1/16	1 1/4	1 5/16-12	1 1/4
PC3516CL	3 1/2 X 16	39	3000	15,525	26 1/4	1 3/8	3/16	#8 SAE	1	2 1/8	8 15/16	1 1/16	1 1/4	1 5/16-12	1 1/4
PC3516CL-ASAE	3 1/2 X 16	39	3000	15,525	31 1/2	1 3/8	3/16	#8 SAE	1	2 1/8	8 15/16	1 1/16	1 1/4	1 5/16-12	1 1/4
*PC3520CL	3 1/2 X 20	41	3000	15,892	30 1/4	1 3/8	3/16	#8 SAE	1	2 1/8	3 11/16	1 1/16	1 1/4	1 5/16-12	1 1/4
*PC3524CL	3 1/2 X 24	45	3000	11,860	34 1/4	1 3/8	3/16	#8 SAE	1	2 1/8	3 11/16	1 1/16	1 1/4	1 5/16-12	1 1/4
*PC4008CL	4 X 8	39	3000	FULL PSI	18 1/4	1 3/4	7/32	#10 SAE	1	2 1/8	5 11/16	1 1/16	1 1/4	1 1/2-12	1 1/4
*PC4008CL-ASAE	4 X 8	39	3000	FULL PSI	20 1/4	1 3/4	7/32	#10 SAE	1	2 1/8	5 11/16	1 1/16	1 1/4	1 1/2-12	1 1/4
*PC4010CL	4 X 10	40	3000	FULL PSI	20 1/4	1 3/4	7/32	#10 SAE	1	2 1/8	3 11/16	1 1/16	1 1/4	1 1/2-12	1 1/4
*PC4012CL	4 X 12	43	3000	FULL PSI	22 1/4	1 3/4	7/32	#10 SAE	1	2 1/8	3 11/16	1 1/16	1 1/4	1 1/2-12	1 1/4
PC4016CL	4 X 16	53	3000	FULL PSI	26 1/4	1 3/4	7/32	#10 SAE	1	2 1/8	8 15/16	1 1/16	1 1/4	1 1/2-12	1 1/4
PC4016CL-ASAE	4 X 16	53	3000	FULL PSI	31 1/2	1 3/4	7/32	#10 SAE	1	2 1/8	8 15/16	1 1/16	1 1/4	1 1/2-12	1 1/4
*PC4020CL	4 X 20	56	3000	FULL PSI	30 1/4	1 3/4	7/32	#10 SAE	1	2 1/8	3 11/16	1 1/16	1 1/4	1 1/2-12	1 1/4
*PC4024CL	4 X 24	62	3000	30,765	34 1/4	1 3/4	7/32	#10 SAE	1	2 1/8	3 11/16	1 1/16	1 1/4	1 1/2-12	1 1/4
*PC4030CL	4 X 30	71	3000	21,219	40 1/4	1 3/4	7/32	#10 SAE	1	2 1/8	3 11/16	1 1/16	1 1/4	1 1/2-12	1 1/4

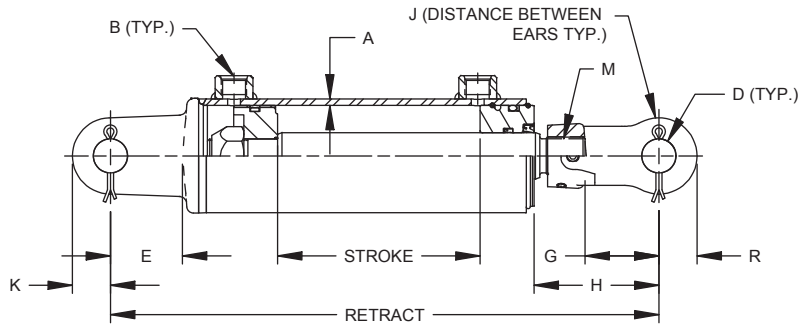
* Stocked items

MODEL	ROD DIAMETER OPTIONS					A	B (SAE)	PSI
PC20	1.125	-	-	-	-	3/16	#8	3000
PC25	*1.250	1.375	-	-	-	3/16	#8	3000
PC30	*1.375	1.500	1.750	-	-	3/16	#8	3000
PC35	*1.375	*1.500	1.750	2.000	-	3/16	#8	3000
PC40	1.750	2.000	2.250	2.500	-	7/32	#10	3000

For custom configuration contact Prince Manufacturing Corporation or use the Customer Portal at www.princehyd.com.

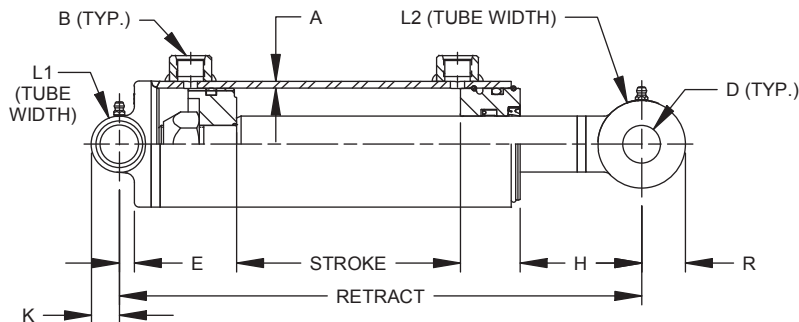
*ONLY AVAILABLE WITH ROD END CLEVIS

Model	Rod Dia.	CLEVIS BASE			CLEVIS ROD					
		D	E	K	D	G	H	J	M	R
PC20xxCL	1.125	1.015	2.12	1.00	1.015	2.15	3.67	1.06	1 1/8-12	1.13
PC25xxCL	1.250	1.015	2.14	1.00	1.015	2.15	3.97	1.06	1 1/8-12	1.13
PC30xxCL	1.375	1.015	2.13	1.13	1.015	2.15	3.70	1.06	1 1/8-12	1.13
PC35xxCL	1.375	1.015	2.13	1.25	1.015	2.18	3.70	1.06	1 5/16-12	1.25
PC40xxCL	1.750	1.015	2.13	1.25	1.015	2.19	3.65	1.06	1 1/2-12	1.25



Model	Rod Dia.	CROSSTUBE BASE				CROSSTUBE ROD					
		D	E	K	L1	D	H	L2 (XT)	R (XT)	L2 (XL)	R (XL)
PC20xxXT/XL	1.125	1.000	-	1.00	*2.38	1.015	3.29	1.125	0.75	-	-
PC25xxXT/XL	1.375	1.000	0.28	0.63	3.00	1.015	3.65	1.375	0.88	2.25	0.71
PC30xxXT/XL	1.500	1.030	0.40	0.75	3.50	1.015	3.26	1.500	1.17	2.75	0.91
PC35xxXT/XL	1.750	1.030	0.53	0.75	4.00	1.015	3.13	1.750	1.17	2.75	0.91
PC40xxXT/XL	2.000	1.265	0.78	1.00	4.50	1.265	3.83	2.000	1.29	3.25	1.13

*HOLE DRILLED THRU BASEPLATE





THE MAGNUM LINE

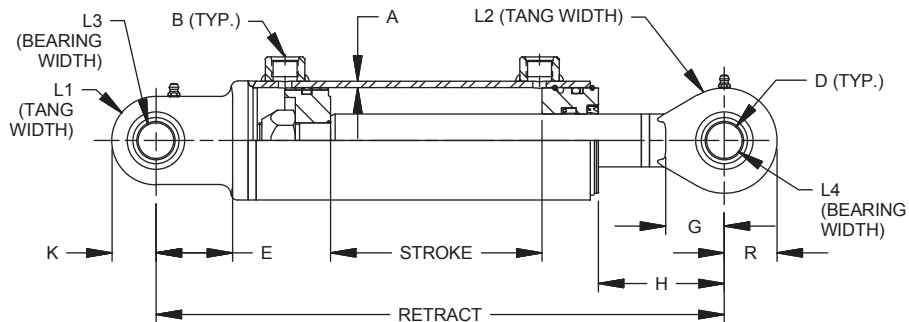
3000 PSI

MODEL	ROD DIAMETER OPTIONS					A	B (SAE)	PSI
PC20	1.125	-	-	-	-	3/16	#8	3000
PC25	*1.250	1.375	-	-	-	3/16	#8	3000
PC30	*1.375	1.500	1.750	-	-	3/16	#8	3000
PC35	*1.375	*1.500	1.750	2.000	-	3/16	#8	3000
PC40	1.750	2.000	2.250	2.500	-	7/32	#10	3000

*ONLY AVAILABLE WITH ROD END CLEVIS

For custom configuration contact Prince Manufacturing Corporation or use the Customer Portal at www.princehyd.com.

Model	Rod Dia.	SPHERICAL BASE					SPHERICAL ROD					
		D	E	K	L1	L3	D	G	H	L2	L4	R
PC20xxSP	1.125	1.000	2.17	1.15	1.00	.875	1.000	1.34	3.54	1.00	.875	1.15
PC25xxSP	1.375	1.000	2.18	1.25	1.00	.875	1.000	1.47	3.90	1.00	.875	1.25
PC30xxSP	1.500	1.000	2.17	1.25	1.00	.875	1.000	1.67	3.57	1.00	.875	1.50
PC35xxSP	1.750	1.000	2.17	1.50	1.00	.875	1.000	1.67	3.57	1.00	.875	1.50
PC40xxSP	2.000	1.250	2.38	1.50	1.00	1.09	1.250	1.79	3.40	1.00	1.09	1.70



Model	Rod Dia.	TANG BASE				TANG ROD				
		D	E	K	L1	D	G	H	L2	R
PC20xxTG	1.125	1.015	2.17	1.15	1.00	1.015	1.34	3.54	1.00	1.15
PC25xxTG	1.375	1.015	2.18	1.25	1.00	1.015	1.47	3.90	1.00	1.25
PC30xxTG	1.500	1.015	2.17	1.25	1.00	1.015	1.67	3.57	1.00	1.50
PC35xxTG	1.750	1.015	2.17	1.50	1.00	1.015	1.67	3.57	1.00	1.50
PC40xxTG	2.000	1.265	2.38	1.50	1.00	1.265	1.79	3.40	1.00	1.70

