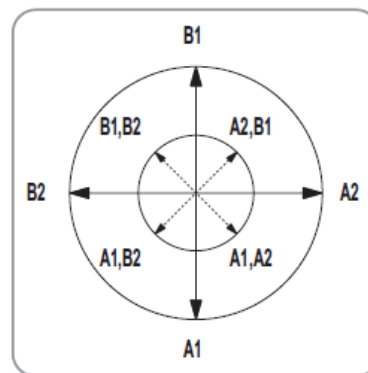
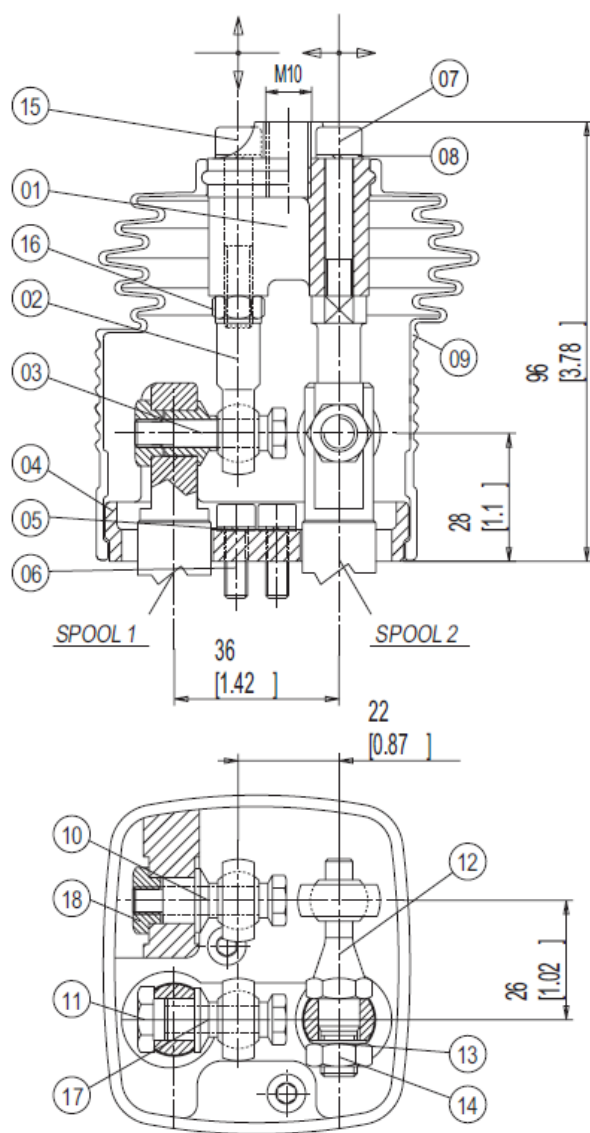
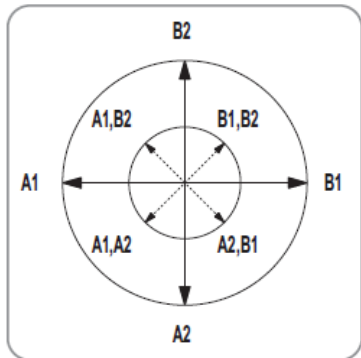


## 660370004 – WVS Joystick for 2 Spools, Fulcrum on Up-Stream Spool



N°	Description	Qty.
01	Threaded plate	1
02	Swivel coupling	3
03	Screw	2
04	Fulcrum	1
05	Washer A 5.3 UNI 1751	2
06	Screw TCEI M5x16 UNI 5931	2
07	Screw TCEI M6x45 UNI 5931	3
08	Washer A 6.4 UNI 1751	4
09	Protection	1
10	Spacer	1
11	Nut	1
12	Pin	1
13	Washer "SCHNORR"	1
14	Nut M8 UNI 5588	1
15	Screw TCEI M6x40 UNI 5931	1
16	Nut M6 UNI 5588	1
17	Spacer	1
18	Nut	1

## 660370004 – WVS Joystick Lever for 2 Spools, Fulcrum on Down-Stream Spool



N°	Description	Qty.
01	Threaded plate	1
02	Swivel coupling	3
03	Screw	2
04	Fulcrum	1
05	Washer A 5.3 UNI 1751	2
06	Screw TCEI M5x16 UNI 5931	2
07	Screw TCEI M6x45 UNI 5931	3
08	Washer A 6.4 UNI 1751	4
09	Protection	1
10	Spacer	1
11	Nut	1
12	Pin	1
13	Washer "SCHNORR"	1
14	Nut M8 UNI 5588	1
15	Screw TCEI M6x40 UNI 5931	1
16	Nut M6 UNI 5588	1
17	Spacer	1
18	Nut	1

