

REMOTE CABLE CONTROLS FOR PRINCE VALVES

REMOTE CABLE CONTROL

Heavy duty remote cable controls are available for most Prince directional control valves. The compact controller bodies are of die-cast metal construction and are available in either dual axis or single axis configurations. Dual axis joysticks are constructed with steel swivels and anti-wear bushings. The high strength flexible control cables are jacketed and have quick attach connections.

REMOTE CONTROLLERS

Dual Axis Joystick with lock
Single Axis

Prince Part No.
660170038
660170039

CONTROL CABLES

49 inches long (1.25 M)
59 inches long (1.5 M)
79 inches long (2.0 M)
89 inches long (2.25 M)
98 inches long (2.5 M)

660171125
660171150
660171200
660171225
660171250

VALVE CONNECTION KITS

RD5000 series kit*
LVS, LVR or LVT, kit (loader valves)**
SV stack valve or RD4100 kit***
Series 20 stack valve kit****

660170037
660170029
660170031
660170035

Note: One control cable and one connection kit is required for each spool controlled. Order the remote controller, the control cables and the connection kits as necessary to complete the remote cable control assembly.

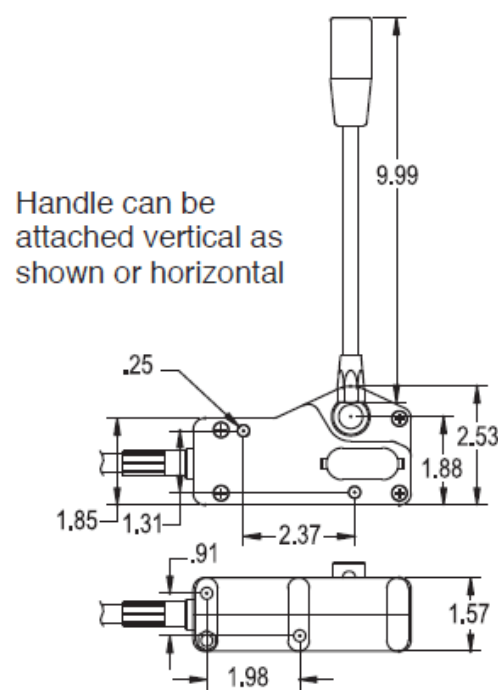
* Field convertible or order option 3, less handle assembly.

** Order loader valve handle option 8, tang end only.

*** Field convertible from standard handle or order option 6, clevis spool end only.

**** Field convertible or order option 3, less complete handle.

SINGLE SPOOL CONTROL



Handle can be attached vertical as shown or horizontal

DUAL AXIS CONTROLLER

