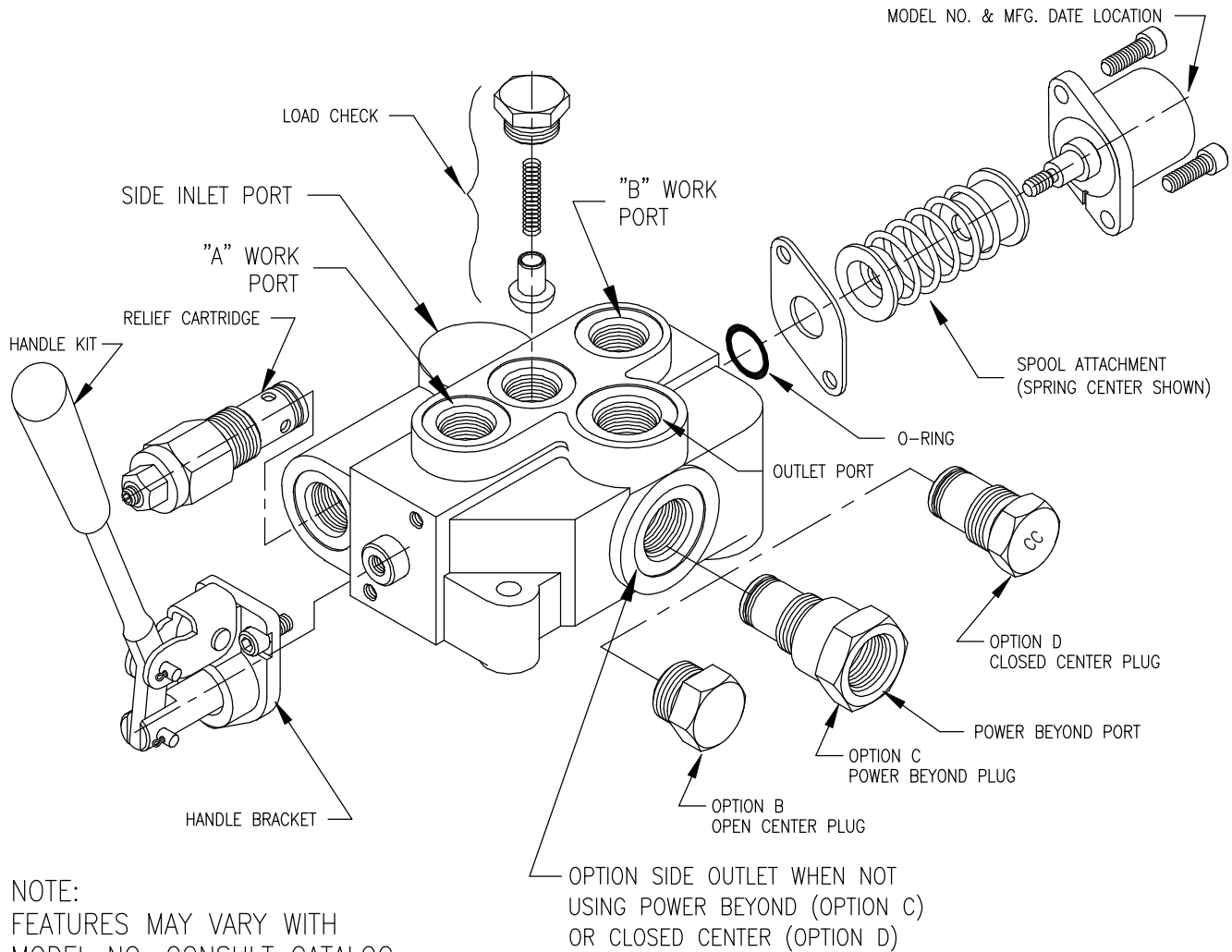


RD-4100 ONE SPOOL VALVE



NOTE:
FEATURES MAY VARY WITH
MODEL NO. CONSULT CATALOG

CLOSED CENTER PLUG OPTION D

This option provides for closed center operation. This is typically used with a variable displacement pressure compensated pump or in a system with an unloading valve. When the spools are in neutral the inlet port is blocked. The power beyond plugs can be used for closed center conversion by plugging the power beyond port. PLEASE NOTE it may be necessary to increase relief pressure above pump compensator setting.

POWER BEYOND PLUG WITH #8 SAE OPTION C

This option provides for a high pressure power beyond port. This would be used if a valve is to be added downstream. PLEASE NOTE The outlet must be connected to tank. When spools are in neutral the inlet is connected to power beyond port.

3 WAY SPOOLS OPTION 'A'


Have the 'A work port' plugged. Connect 'B work port' to cylinder.

LOAD CHECK:

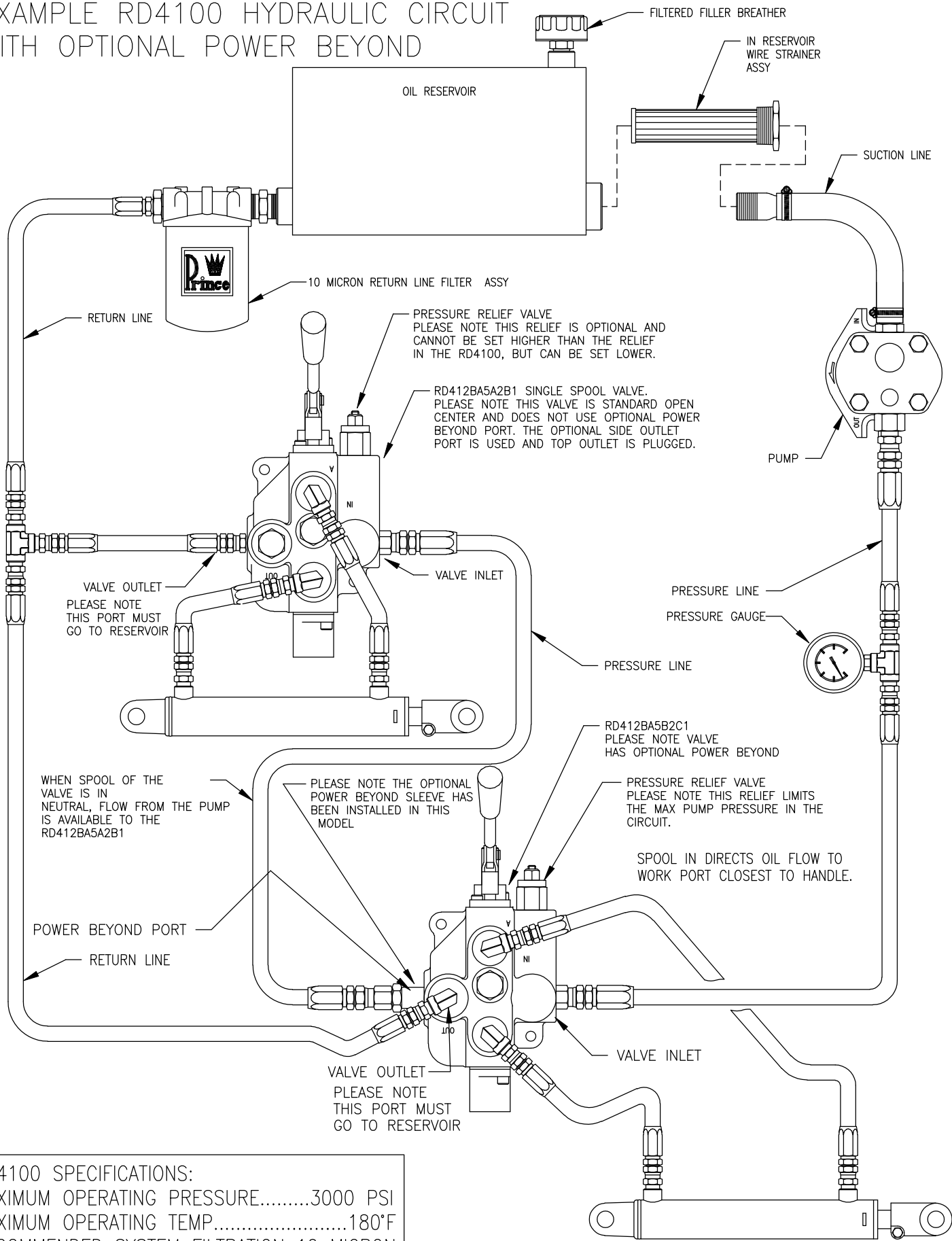
The load check feature is standard on the RD-4100 series valves. Each spool has a separate load check. The load check will prevent the fall of a cylinder as the spool is shifted. It also prevents the backflow of oil from the work port to the inlet. The pump must build up enough pressure to overcome the pressure on the work port caused by the weight of the load before the cylinder can move.

PLEASE NOTE: The load check has nothing to do with how well the valve will hold up a cylinder with the spool in neutral. The load check is functional only when the spool is shifted.

RD-4100 KITS AND CARTRIDGES

PART NO.	DESCRIPTION
660541001	RD-4100 SEAL KIT
660150015	LOAD CHECK KIT
660580003	POWER BEYOND SEAL KIT
660180011	STANDARD HANDLE KIT (HANDLE, KNOB & PINS)
660180005	COMPLETE HANDLE KIT
660180031	PIN KIT
660180032	HANDLE BRACKET
660180001	SPRING CENTER KIT
660180002	3 POSITION DETENT KIT
660180003	FRICITION DETENT KIT
660180051	SPRING CENTER W/FLOAT DETENT KIT (REPAIR ONLY)
200400030	CONVERSION PLUG (OPTION B)
660280001	#8 SAE POWER BEYOND PLUG (OPTION C)
660280002	CLOSED CENTER CONVERSION PLUG (OPTION D)
660280004	NO-RELIEF PLUG (OPTION 1)
660280011	ADJUSTABLE RELIEF CARTRIDGE, 500-1500 PSI (OPTION 4)
660280009	ADJUSTABLE RELIEF CARTRIDGE, 1500-3000 PSI (OPTION 5)
	RELIEF: STANDARD SETTING, OPTION 5: 2000 PSI. STANDARD SETTING, OPTION 4: 1000 PSI. TO ADJUST RELIEF, LOOSEN JAM NUT AND TURN SET SCREW CLOCKWISE TO INCREASE AND/OR COUNTER-CLOCKWISE TO DECREASE PRESSURE. A PRESSURE GAUGE MUST BE INSTALLED IN THE INLET LINE WHENEVER THE RELIEF PRESSURE IS ADJUSTED.
	 WARNING: OVERPRESSURE MAY CAUSE SUDDEN AND UNEXPECTED FAILURE OF A COMPONENT IN THE HYDRAULIC SYSTEM RESULTING IN SERIOUS PERSONAL INJURY. ALWAYS USE A GAUGE WHEN ADJUSTING A RELIEF VALVE.

EXAMPLE RD4100 HYDRAULIC CIRCUIT WITH OPTIONAL POWER BEYOND



RD4100 SPECIFICATIONS:
 MAXIMUM OPERATING PRESSURE.....3000 PSI
 MAXIMUM OPERATING TEMP.....180°F
 RECOMMENDED SYSTEM FILTRATION..10 MICRON
 FLOW RATING.....15 GPM