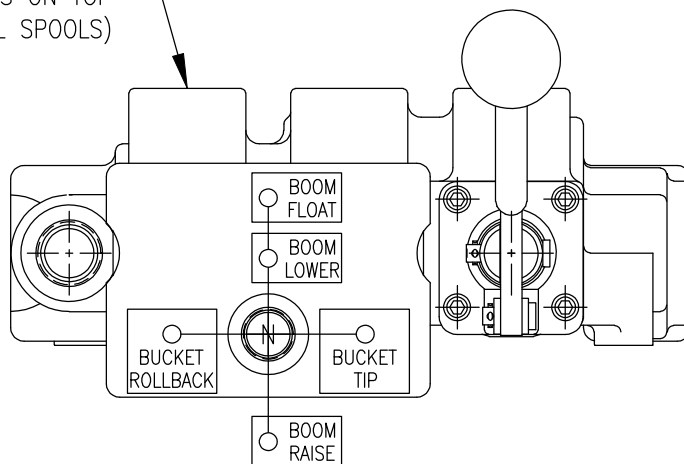


INSTALL VALVE WITH PORTS ON TOP  
(OR FORWARD WITH VERTICAL SPOOLS)



JOYSTICK HANDLE OPERATION  
LOOKING AT HANDLE KNOB



**PRINCE MANUFACTURING CORPORATION**  
612 North Derby Lane, P.O. Box 7000  
North Sioux City, South Dakota 57049-7000  
www.princehyd.com

INSTALLATION; HC-V-BP21/22

DWG. NO. 672100049

DRAWN BY, DATE: WP 10/27/11  
APPROVE BY, DATE: MO 10/27/11

REVISION: NC

SHT: 1 OF 1