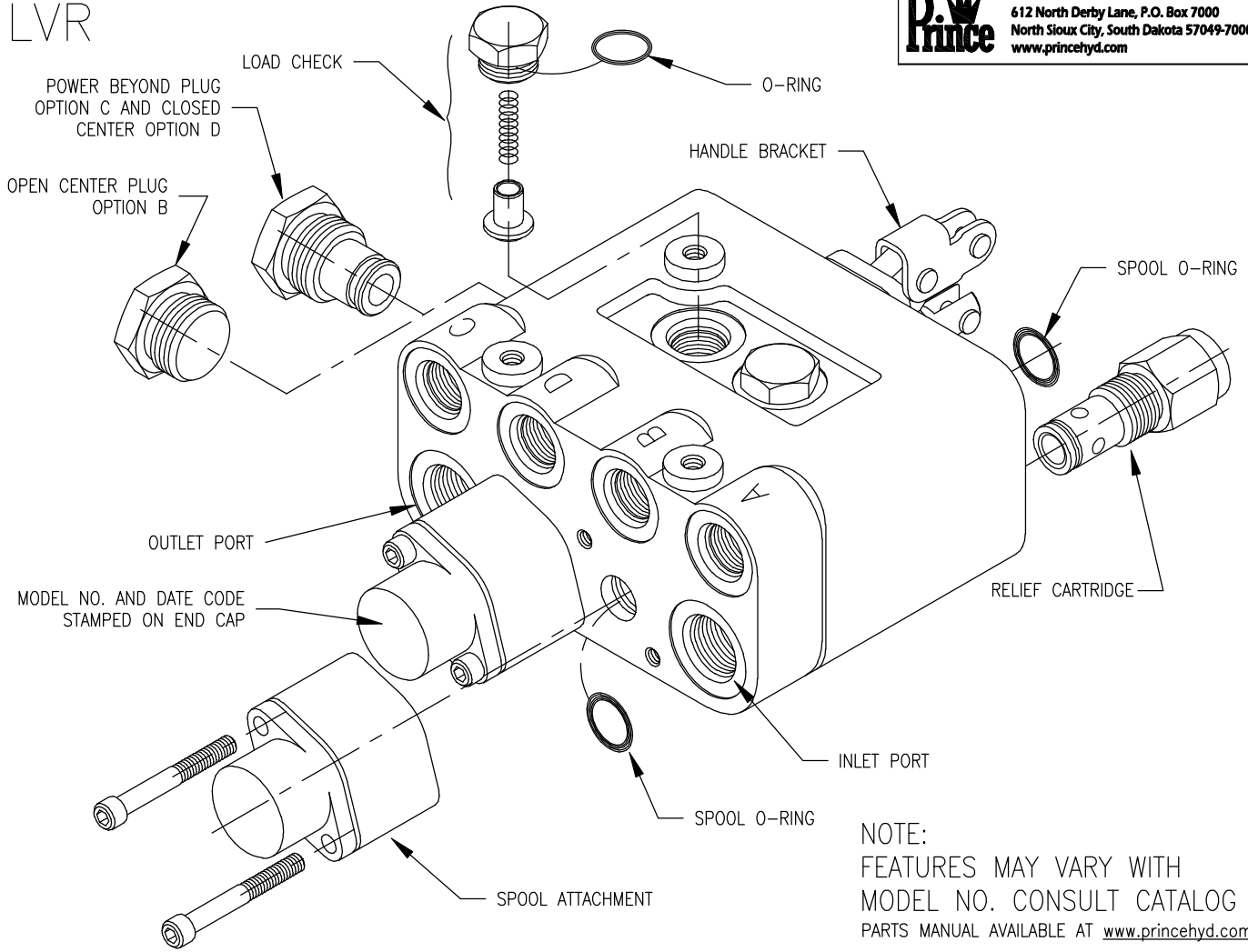


LVR



NOTE:  
 FEATURES MAY VARY WITH  
 MODEL NO. CONSULT CATALOG  
 PARTS MANUAL AVAILABLE AT [www.princehyd.com](http://www.princehyd.com)

**OPEN CENTER OPTION B:**

This is the standard outlet option. This option allows for conversion in the field for power beyond applications. When the spool is in neutral the inlet is unloaded to tank.

**POWER BEYOND OPTION C AND CLOSED CENTER OPTION D:**

Option C provides a high pressure power beyond port. This would be used if a valve is to be added downstream. The outlet must be connected to tank. With both spools in neutral the inlet is connected to power beyond port. Closed center option D is used in closed center systems. With both spools in neutral, the core is blocked and oil does not flow through the valve.

**LOAD CHECK DESCRIPTION**

The load check feature is standard on all LVR series valves. Each spool has a separate load check. The load check will prevent the fall of a cylinder as the spool is shifted. The pump must build up enough pressure to overcome the pressure on the work port caused by the weight of the load before the cylinder can move. PLEASE NOTE that the load check has nothing to do with how well the valve will hold up a cylinder with that spool in neutral. The load check is functional only when that spool is shifted.

**LVR KITS AND CARTRIDGES**

PART NO.	DESCRIPTION
660590018	SEAL KIT
660180074	SPRING CENTER W/FLOAT DETENT KIT
660180075	SPRING CENTER W/REGEN KIT
660180079	SPRING CENTER KIT
660280004	NO RELIEF PLUG
660280011	ADJUSTABLE RELIEF 500-1500 PSI (OPTION 4)
660280009	ADJUSTABLE RELIEF 1500-3000 PSI (OPTION 5)
270006122	ADJUSTABLE RELIEF 500-3000 PSI (OPTION 6)
660180073	COMPLETE LEVER HANDLE KIT
660180011	LEVER HANDLE KIT (PINS, HANDLE & KNOB)
660180072	HANDLE BRACKET ASSEMBLY (LEVER NOT INCLUDED)
660180182	UNIVERSAL JOYSTICK SUB-ASSEMBLY KIT
660180069	STRAIGHT JOYSTICK HANDLE KIT
660180165	JOYSTICK BOOT & CABLE TIE KIT
660301001	OPEN CENTER PLUG (OPTION B)
660390008	POWER BEYOND OUTLET W/#8 ORB PORT (OPTION C)
660180111	CLOSED CENTER PLUG (OPTION D)
	RELIEF STANDARD SETTING OPTION 5 & 6 2000 PSI

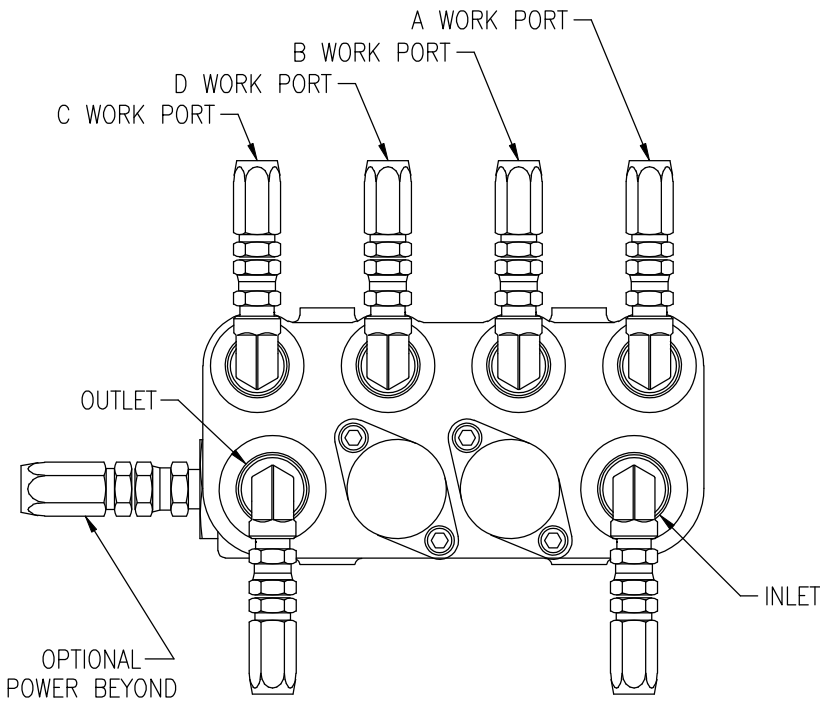
RELIEF OPTION 6 USES A DIFFERENT CAVITY DETAIL THAN OPTIONS 1 THRU 5 AND IS NOT INTERCHANGEABLE. TO ADJUST RELIEF PRESSURE, LOOSEN JAM NUT AND TURN SET SCREW CLOCKWISE TO INCREASE PRESSURE AND/OR COUNTER-CLOCKWISE TO DECREASE. A PRESSURE GAUGE MUST BE INSTALLED IN THE INLET LINE WHENEVER THE RELIEF PRESSURE IS ADJUSTED.



**WARNING:** OVERPRESSURE MAY CAUSE SUDDEN AND UNEXPECTED FAILURE OF A COMPONENT IN THE HYDRAULIC SYSTEM RESULTING IN SERIOUS PERSONAL INJURY. ALWAYS USE A GAUGE WHEN ADJUSTING A RELIEF VALVE.

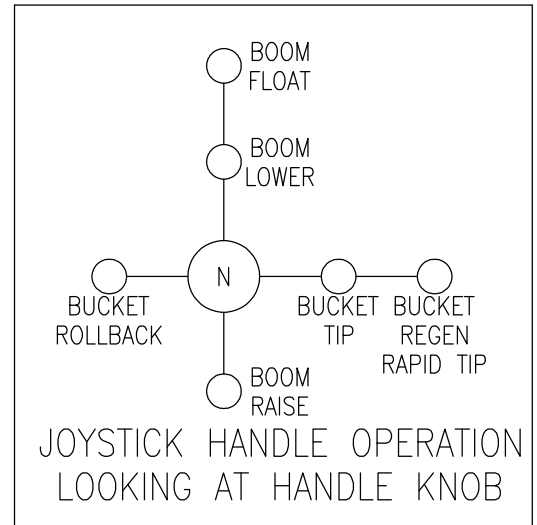
LOADS MAY MOVE SUDDENLY WHEN VALVE SPOOLS ARE SHIFTED, EVEN WITHOUT THE PUMP RUNNING.

# LVR VALVE PORT CONNECTION CHART



## LVR SPECIFICATIONS

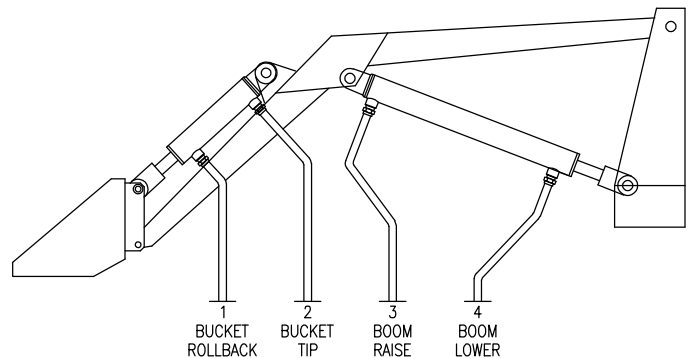
MAX. OPERATING PRESSURE.....3000 PSI  
 MAX. OPERATING TEMP.....180°F  
 RECOMMENDED FILTRATION.....10 MICRON  
 FLOW RATING.....14 GPM  
 WEIGHT.....23 LBS  
 PARALLEL CIRCUIT CONSTRUCTION



SEE MODEL NUMBER STAMPED ON END CAP.

PART NO.	A WORK PORT	B WORK PORT	C WORK PORT	D WORK PORT
LVRxBBxxx1* LVRxBBxxx2* LVRxBBxxx4 LVRxBBxxx5 LVRxBBxxx7* LVRxBBxxx8* LVRxBGxxx1 LVRxBGxxx2 LVRxBGxxx4 LVRxBGxxx5 LVRxBGxxx7* LVRxBGxxx8 LVRxRGxxx1 LVRxRGxxx2 LVRxRGxxx4 LVRxRGxxx5 LVRxRGxxx7 LVRxRGxxx8	CYL PORT 2	CYL PORT 1	CYL PORT 3	CYL PORT 4
LVRxBBxxx3 LVRxBBxxx6 LVRxGBxxx1 LVRxGBxxx2 LVRxGBxxx3 LVRxGBxxx6 LVRxGBxxx7* LVRxGBxxx8 LVRxGRxxx1 LVRxGRxxx2 LVRxGRxxx3 LVRxGRxxx6 LVRxGRxxx7 LVRxGRxxx8	CYL PORT 3	CYL PORT 4	CYL PORT 2	CYL PORT 1
LVRxBGxxx3	CYL PORT 1	CYL PORT 2	CYL PORT 3	CYL PORT 4
LVRxGBxxx5	CYL PORT 3	CYL PORT 4	CYL PORT 1	CYL PORT 2

\* NOTE TYPICAL WORK PORT CONNECTION; OTHER COMBINATIONS ARE POSSIBLE.



SHIFTING 1st SPOOL 'IN' DIRECTS OIL FLOW TO WORK PORT 'A'.  
 SHIFTING 2nd SPOOL 'IN' DIRECTS OIL FLOW TO WORK PORT 'C'.