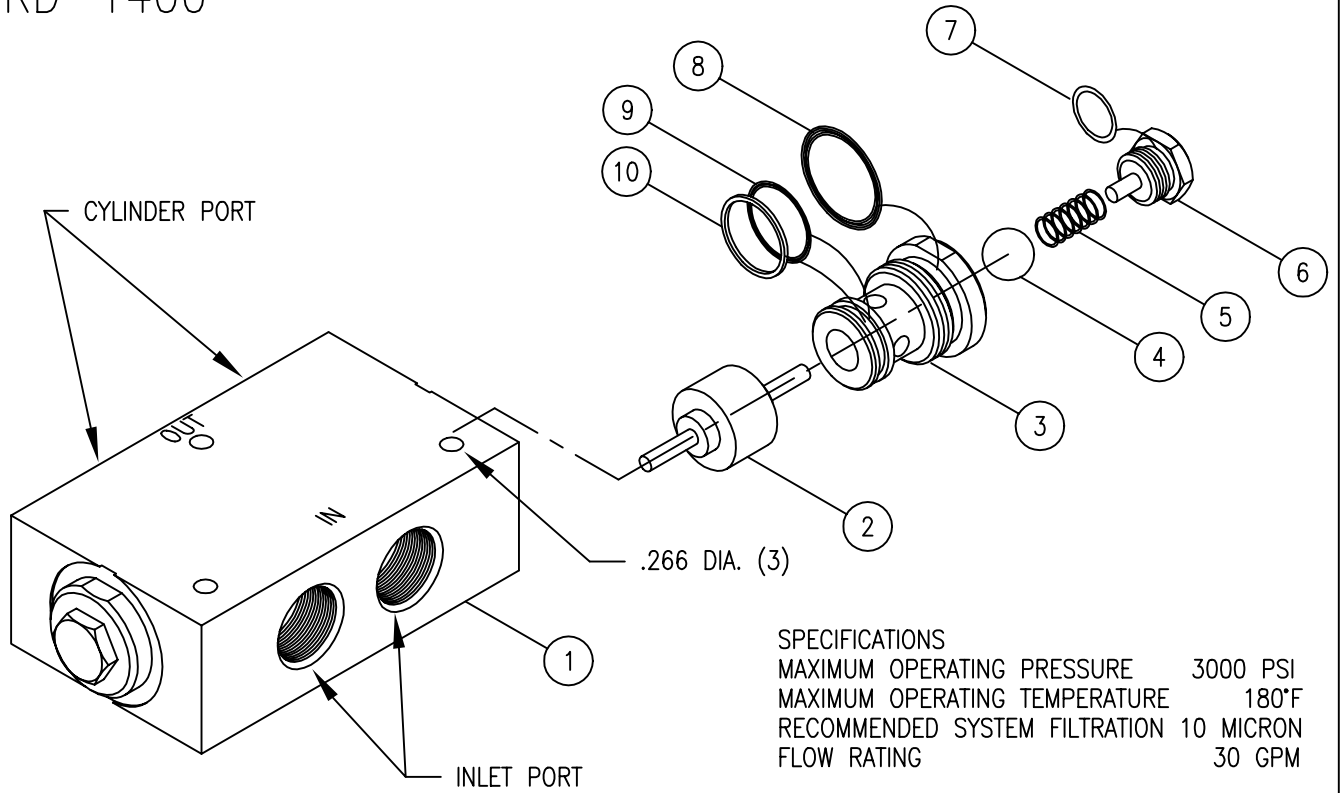


# RD-1400



RD-1400 DOUBLE LOCK VALVE

## RD-1400 DOUBLE LOCK VALVE

| ITEM | QTY | PART NO.   | DESCRIPTION                              |
|------|-----|------------|--|
| 1    | 1   |            | VALVE BODY (NOT AVAILABLE SEPERATELY)    |
| 2    | 1   |            | SHUTTLE SPOOL (NOT AVAILABLE SEPERATELY) |
| 3    | 2   | 671600026  | CHECK CARTRIDGE                          |
| 4    | 2   | 230009008  | STEEL BALL                               |
| 5    | 2   | 670300014  | SPRING                                   |
| 6    | 2   | 660314001  | PLUG ASSY                                |
| 7    | 2   | 240000015* | 015 O-RING                               |
| 8    | 2   | 240000914* | 914 O-RING                               |
| 9    | 2   | 240000020* | 020 O-RING                               |
| 10   | 2   | 240005020* | 020 BACK-UP WASHER                       |

} CHECK CART. ASSY. NO. 660214001  
 \*SEAL KIT NO. 660514001

### EXAMPLE CIRCUIT

