

P. **Prince**

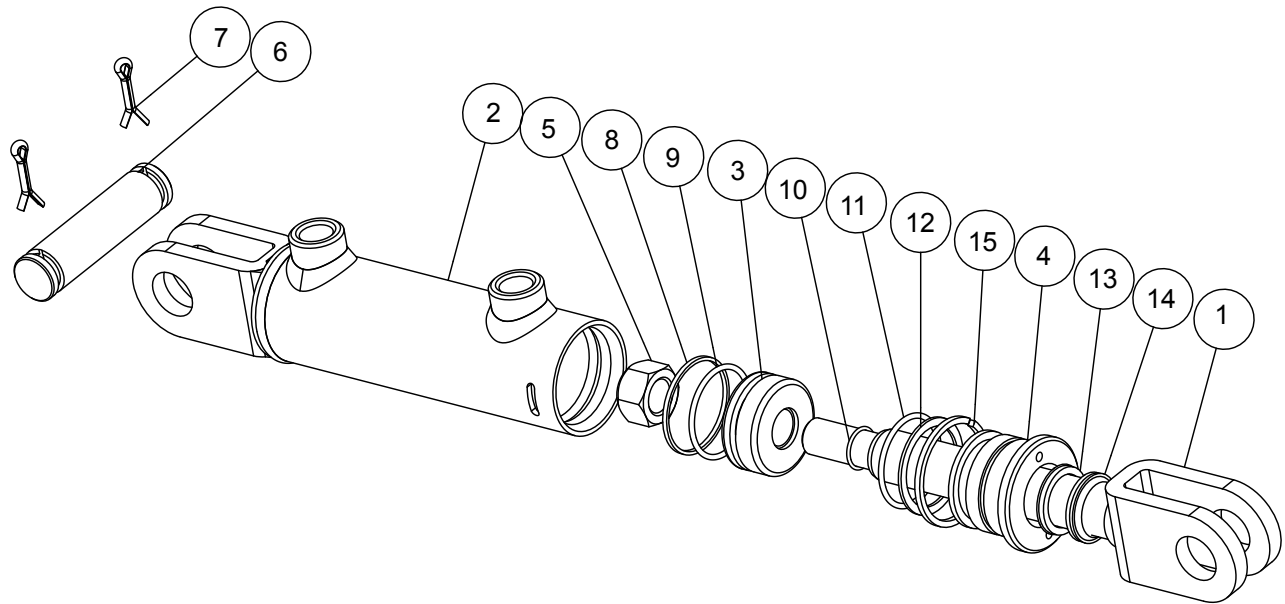
SWORD LINE CYLINDER PARTS BOOK

Effective November 1, 2005



SWORD LINE

3000 PSI ALL PURPOSE LINE



PMC-19400 SERIES 1 1/2" BORE 3/4" ROD

MODEL	ITEM	QTY	PART NO.	DESCRIPTION	NOTES
PMC-19408	1	1	020300031	PISTON ROD ASSEMBLY	
PMC-19410	1	1	020300031	PISTON ROD ASSEMBLY	
PMC-19412	1	1	020300032	PISTON ROD ASSEMBLY	
PMC-19416	1	1	020300034	PISTON ROD ASSEMBLY	
PMC-19408	2	1	060800055	BUTT & TUBE ASSEMBLY	
PMC-19410	2	1	060800056	BUTT & TUBE ASSEMBLY	
PMC-19412	2	1	060800057	BUTT & TUBE ASSEMBLY	
PMC-19416	2	1	060800059	BUTT & TUBE ASSEMBLY	
PMC-19400	3	1	070800024	PISTON	
PMC-19400	4	1	080800035	GLAND	
PMC-19400	5	1	220000205	LOCKNUT	
PMC-19400	6	2	190300008	CLEVIS PIN	
PMC-19400	7	4	220001504	COTTER PIN	
PMC-19400	8	1	240035025	TEFLON SEAL	KIT
PMC-19400	9	1	240000025	O-RING	KIT
PMC-19400	10	1	240000014	O-RING	KIT
PMC-19400	11	1	240000218	O-RING	KIT
PMC-19400	12	1	240061218	BU-WASHER	KIT
PMC-19400	13	1	240037056	U-CUP	KIT
PMC-19400	14	1	250001210	WIPER	KIT
PMC-19400	15	1	230007150	SQ. RETAINER RING	KIT
PMC-19400	*	1	270030150	INSTALLATION RING	KIT
PMC-19400			PMCK-19400	PACKING KIT	

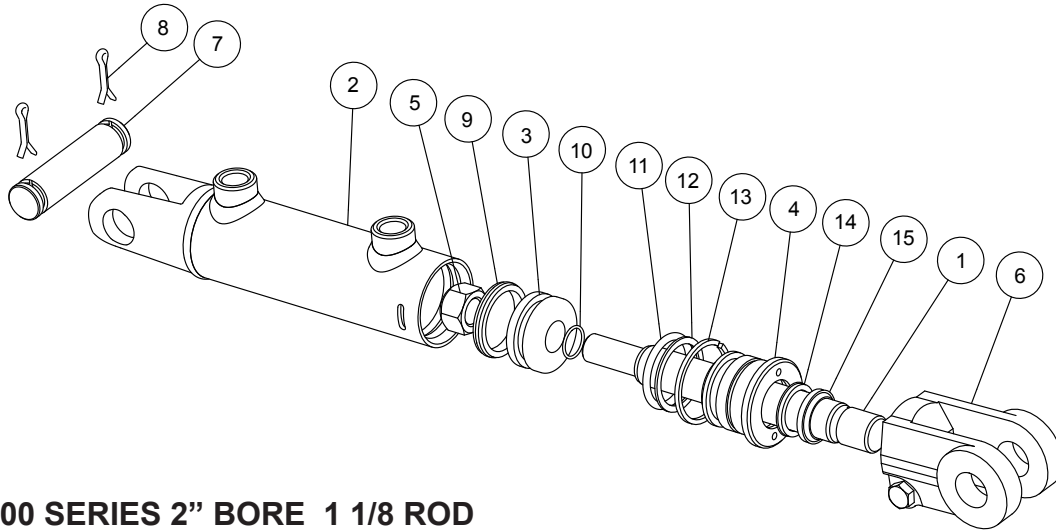
* THIS ITEM IS INCLUDED IN PACKING KIT FOR ASSEMBLY / DISASSEMBLY



SWORD LINE

3000 PSI ALL PURPOSE LINE

(Continued)



PMC-42000 SERIES 2" BORE 1 1/8 ROD

MODEL	ITEM	QTY	PART NO.	DESCRIPTION	NOTES
PMC-42008	1	1	010500239	PISTON ROD	
PMC-42010	1	1	010500366	PISTON ROD	
PMC-42012	1	1	010500367	PISTON ROD	
PMC-42016	1	1	010500369	PISTON ROD	
PMC-42020	1	1	010500371	PISTON ROD	
PMC-42024	1	1	010500372	PISTON ROD	
PMC-42008	2	1	061100237	BUTT & TUBE ASSEMBLY	
PMC-42010	2	1	061100320	BUTT & TUBE ASSEMBLY	
PMC-42012	2	1	061100321	BUTT & TUBE ASSEMBLY	
PMC-42016	2	1	061100323	BUTT & TUBE ASSEMBLY	
PMC-42020	2	1	061100325	BUTT & TUBE ASSEMBLY	
PMC-42024	2	1	061100326	BUTT & TUBE ASSEMBLY	
PMC-42000	3	1	071100157	PISTON	
PMC-42000	4	1	081100126	GLAND	
PMC-42000	5	1	220000208	LOCK NUT	
PMC-42000	6	1	100000423	CLEVIS	
PMC-42000	7	2	190400001	CLEVIS PIN	
PMC-42000	8	4	220001504	COTTER PIN	
PMC-42000	9	1	240060326	CROWN SEAL	KIT
PMC-42000	10	1	240000018	O-RING	KIT
PMC-42000	11	1	240000326	O-RING	KIT
PMC-42000	12	1	240061326	BU-WASHER	KIT
PMC-42000	13	1	230007200	SQ. RETAINING RING	KIT
PMC-42000	14	1	240037071	U-CUP	KIT
PMC-42000	15	1	250001216	WIPER	KIT
PMC-42000	*	1	270030200	INSTALLATION RING	KIT
PMC-42000	**	1	240020183	U-CUP	KIT
PMC-42000			PMCK-42000	PACKING KIT	

* THIS ITEM IS INCLUDED IN PACKING KIT FOR ASSEMBLY / DISASSEMBLY

** INCLUDED IN PACKING KIT AS REPLACEMENT SEALS FOR OLDER CYLINDERS

PMC-42500 SERIES 2 1/2" Bore 1 1/4" Rod

MODEL	ITEM	QTY	PART NO.	DESCRIPTION	NOTES
PMC-42508	1	1	010600223	PISTON ROD	
PMC-42510	1	1	010600331	PISTON ROD	
PMC-42512	1	1	010600332	PISTON ROD	
PMC-42516	1	1	010600334	PISTON ROD	
PMC-42520	1	1	010600336	PISTON ROD	
PMC-42524	1	1	010600337	PISTON ROD	
PMC-42508	2	1	061300394	BUTT & TUBE ASSEMBLY	
PMC-42510	2	1	061300474	BUTT & TUBE ASSEMBLY	
PMC-42512	2	1	061300475	BUTT & TUBE ASSEMBLY	
PMC-42516	2	1	061300477	BUTT & TUBE ASSEMBLY	
PMC-42520	2	1	061300479	BUTT & TUBE ASSEMBLY	



SWORD LINE

ALL PURPOSE LINE

(Continued)

PMC-42500 SERIES 2 1/2" Bore 1 1/4" Rod - Continued

MODEL	ITEM	QTY	PART NO.	DESCRIPTION	NOTES
PMC-42524	2	1	061300480	BUTT & TUBE ASSEMBLY	
PMC-42500	3	1	071300111	PISTON	
PMC-42500	4	1	081300171	GLAND	
PMC-42500	5	1	220000208	LOCK NUT	
PMC-42500	6	1	100000423	CLEVIS	
PMC-42500	7	2	190400001	CLEVIS PIN	
PMC-42500	8	4	220001504	COTTER PIN	
PMC-42500	9	1	240060330	CROWN SEAL	KIT
PMC-42500	10	1	240000018	O-RING	KIT
PMC-42500	11	1	240000330	O-RING	KIT
PMC-42500	12	1	240061330	BU-WASHER	KIT
PMC-42500	13	1	230007250	SQ. RETAINING RING	KIT
PMC-42500	14	1	240037090	U-CUP	KIT
PMC-42500	15	1	250001218	WIPER	KIT
PMC-42500	*	1	270030250	INSTALLATION RING	KIT
PMC-42500			PMCK-42500	PACKING KIT	KIT

* THIS ITEM IS INCLUDED IN PACKING KIT FOR ASSEMBLY / DISASSEMBLY

PMC-43000 SERIES 3" BORE 1 3/8" ROD

MODEL	ITEM	QTY	PART NO.	DESCRIPTION	NOTES
PMC-43008	1	1	010700381	PISTON ROD	
PMC-43010	1	1	010700514	PISTON ROD	
PMC-43012	1	1	010700515	PISTON ROD	
PMC-43016	1	1	010700517	PISTON ROD	
PMC-43020	1	1	010700519	PISTON ROD	
PMC-43024	1	1	010700520	PISTON ROD	
PMC-43008	2	1	061500491	BUTT & TUBE ASSEMBLY	
PMC-43010	2	1	061500553	BUTT & TUBE ASSEMBLY	
PMC-43012	2	1	061500554	BUTT & TUBE ASSEMBLY	
PMC-43016	2	1	061500556	BUTT & TUBE ASSEMBLY	
PMC-43020	2	1	061500558	BUTT & TUBE ASSEMBLY	
PMC-43024	2	1	061500559	BUTT & TUBE ASSEMBLY	
PMC-43000	3	1	071500215	PISTON	
PMC-43000	4	1	081500267	GLAND	
PMC-43000	5	1	220000210	LOCK NUT	
PMC-43000	6	1	100000423	CLEVIS	
PMC-43000	7	2	190400001	CLEVIS PIN	
PMC-43000	8	4	220001504	COTTER PIN	
PMC-43000	9	1	240060334	CROWN SEAL	KIT
PMC-43000	10	1	240000022	O-RING	KIT
PMC-43000	11	1	240000334	O-RING	KIT
PMC-43000	12	1	240061334	BU-WASHER	KIT
PMC-43000	13	1	230007300	SQ. RETAINING RING	KIT
PMC-43000	14	1	240037106	U-CUP	KIT
PMC-43000	15	1	250001220	WIPER	KIT
PMC-43000	*	1	270030300	INSTALLATION RING	KIT
PMC-43000			PMCK-43000	PACKING KIT	

* THIS ITEM IS INCLUDED IN PACKING KIT FOR ASSEMBLY / DISASSEMBLY

PMC-43500 SERIES 3 1/2" BORE 1 1/2" ROD

MODEL	ITEM	QTY	PART NO.	DESCRIPTION	NOTES
PMC-43508	1	1	010800512	PISTON ROD	
PMC-43510	1	1	010800603	PISTON ROD	
PMC-43512	1	1	010800604	PISTON ROD	
PMC-43516	1	1	010800606	PISTON ROD	
PMC-43520	1	1	010800608	PISTON ROD	
PMC-43514	1	1	010800609	PISTON ROD	
PMC-43508	2	1	061700370	BUTT & TUBE ASSEMBLY	
PMC-43510	2	1	061700421	BUTT & TUBE ASSEMBLY	
PMC-43512	2	1	061700422	BUTT & TUBE ASSEMBLY	
PMC-43516	2	1	061700424	BUTT & TUBE ASSEMBLY	
PMC-43520	2	1	061700426	BUTT & TUBE ASSEMBLY	
PMC-43524	2	1	061700427	BUTT & TUBE ASSEMBLY	



SWORD LINE

3000 PSI ALL PURPOSE LINE

(Continued)

PMC-43500 SERIES - Continued

MODEL	ITEM	QTY	PART NO.	DESCRIPTION	NOTES
PMC-43500	3	1	071700167	PISTON	
PMC-43500	4	1	081700212	GLAND	
PMC-43500	5	1	220000210	LOCK NUT	
PMC-43500	6	1	100000326	CLEVIS	
PMC-43500	7	2	190400035	CLEVIS PIN	
PMC-43500	8	4	220001504	COTTER PIN	
PMC-43500	9	1	240060338	CROWN SEAL	KIT
PMC-43500	10	1	240000022	O-RING	KIT
PMC-43500	11	1	240000338	O-RING	KIT
PMC-43500	13	1	240061338	BU-WASHER	KIT
PMC-43500	13	1	230007350	SQ. RETAINING RING	KIT
PMC-43500	14	1	240020059	U-CUP	KIT
PMC-43500	15	1	250001222	WIPER	KIT
PMC-43500	*	1	270030350	INSTALLATION RING	KIT
PMC-43500			PMCK-43500	PACKING KIT	

* THIS ITEM IS INCLUDED IN PACKING KIT FOR ASSEMBLY / DISASSEMBLY

PMC-44000 SERIES 4" Bore 1 3/4" Rod

MODEL	ITEM	QTY	PART NO.	DESCRIPTION	NOTES
PMC-44008	1	1	011000286	PISTON ROD	
PMC-44010	1	1	011000286	PISTON ROD	
PMC-44012	1	1	011000373	PISTON ROD	
PMC-44016	1	1	011000375	PISTON ROD	
PMC-44020	1	1	011000377	PISTON ROD	
PMC-44024	1	1	011000378	PISTON ROD	
PMC-44030	1	1	011000379	PISTON ROD	
PMC-44008	2	1	061900550	BUTT & TUBE ASSEMBLY	
PMC-44010	2	1	061900630	BUTT & TUBE ASSEMBLY	
PMC-44012	2	1	061900631	BUTT & TUBE ASSEMBLY	
PMC-44016	2	1	061900633	BUTT & TUBE ASSEMBLY	
PMC-44020	2	1	061900635	BUTT & TUBE ASSEMBLY	
PMC-44024	2	1	061900636	BUTT & TUBE ASSEMBLY	
PMC-44030	2	1	061900637	BUTT & TUBE ASSEMBLY	
PMC-44000	3	1	071900229	PISTON	
PMC-44000	4	1	081900285	GLAND	
PMC-44000	5	1	220000212	LOCK NUT	
PMC-44000	6	1	100000326	CLEVIS	
PMC-44000	7	2	190400035	CLEVIS PIN	
PMC-44000	8	4	220001504	COTTER PIN	
PMC-44000	9	1	240060342	CROWN SEAL	KIT
PMC-44000	10	1	240000026	O-RING	KIT
PMC-44000	11	1	240000342	O-RING	KIT
PMC-44000	12	1	240061342	BU-WASHER	KIT
PMC-44000	13	1	230007400	SQ. RETAINING RING	KIT
PMC-44000	14	1	240020007	U-CUP	KIT
PMC-44000	15	1	250001327	WIPER	KIT
PMC-44000	*	1	270030400	INSTALLATION RING	KIT
PMC-44000			PMCK-44000	PACKING KIT	

* THIS ITEM IS INCLUDED IN PACKING KIT FOR ASSEMBLY / DISASSEMBLY