

P. **Prince**

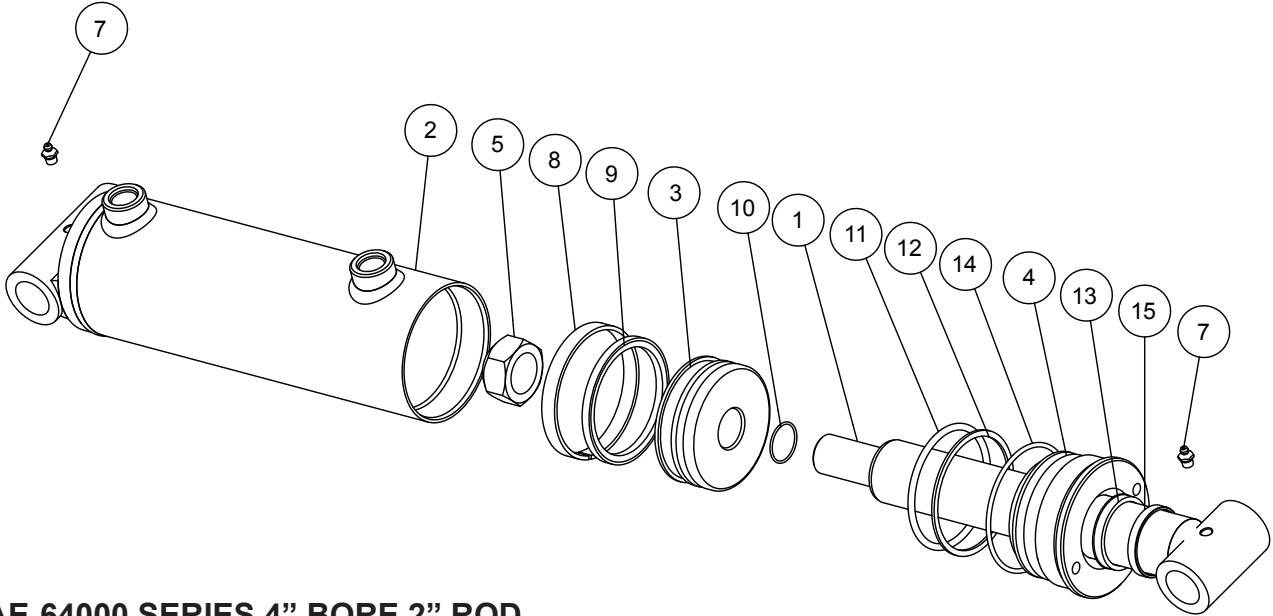
FORTRESS LINE CYLINDER PARTS BOOK

Effective November 1, 2005



FORTRESS LINE

3000 PSI EXTENDED DUTY



SAE-64000 SERIES 4" BORE 2" ROD

MODEL	ITEM	QTY	PART NO.	DESCRIPTION	NOTES
SAE-64008	1	1	021100273	PISTON ROD ASSEMBLY	
SAE-64012	1	1	021100275	PISTON ROD ASSEMBLY	
SAE-64016	1	1	021100277	PISTON ROD ASSEMBLY	
SAE-64020	1	1	021100279	PISTON ROD ASSEMBLY	
SAE-64024	1	1	021100280	PISTON ROD ASSEMBLY	
SAE-64030	1	1	021100281	PISTON ROD ASSEMBLY	
SAE-64032	1	1	021100282	PISTON ROD ASSEMBLY	
SAE-64036	1	1	021100283	PISTON ROD ASSEMBLY	
SAE-64040	1	1	021100284	PISTON ROD ASSEMBLY	
SAE-64042	1	1	021100285	PISTON ROD ASSEMBLY	
SAE-64048	1	1	021100286	PISTON ROD ASSEMBLY	
SAE-64060	1	1	021100287	PISTON ROD ASSEMBLY	
SAE-64008	2	1	061900766	BUTT & TUBE ASSEMBLY	
SAE-64012	2	1	061900768	BUTT & TUBE ASSEMBLY	
SAE-64016	2	1	061900770	BUTT & TUBE ASSEMBLY	
SAE-64020	2	1	061900772	BUTT & TUBE ASSEMBLY	
SAE-64024	2	1	061900773	BUTT & TUBE ASSEMBLY	
SAE-64030	2	1	061900774	BUTT & TUBE ASSEMBLY	
SAE-64032	2	1	061900775	BUTT & TUBE ASSEMBLY	
SAE-64036	2	1	061900776	BUTT & TUBE ASSEMBLY	
SAE-64040	2	1	061900777	BUTT & TUBE ASSEMBLY	
SAE-64042	2	1	061900778	BUTT & TUBE ASSEMBLY	
SAE-64048	2	1	061900779	BUTT & TUBE ASSEMBLY	
SAE-64060	2	1	061900780	BUTT & TUBE ASSEMBLY	
SAE-64000	3	1	071900323	PISTON	
SAE-64000	4	1	081900444	GLAND	
SAE-64000	5	1	220000212	LOCKNUT	
SAE-64048	6	1	211200105	2" SPACER-NOT SHOWN	
SAE-64060	6	1	211200106	4" SPACER-NOT SHOWN	
SAE-64000	7	2	270010002	GREASE ZERK	
SAE-64000	8	1	240011006	BEARING RING	KIT
SAE-64000	9	1	240036003	TEFLON SEAL ASSEMBLY	KIT
SAE-64000	10	1	240000026	O-RING	KIT
SAE-64000	11	1	240000342	O-RING	KIT
SAE-64000	12	1	240061342	BU-WASHER	KIT
SAE-64000	13	1	240020009	U-CUP	KIT
SAE-64000	14	1	240000155	O-RING	KIT
SAE-64000	15	1	250014200	WIPER	KIT
SAE-64000			SAE-64000	PACKING KIT	



FORTRESS LINE

3000 PSI EXTENDED DUTY

(Continued)

SAE-64500 SERIES 4 1/2" BORE 2 1/4" ROD

MODEL	ITEM	QTY	PART NO.	DESCRIPTION	NOTES
SAE-64508	1	1	021200033	PISTON ROD ASSEMBLY	
SAE-64512	1	1	021200035	PISTON ROD ASSEMBLY	
SAE-64516	1	1	021200037	PISTON ROD ASSEMBLY	
SAE-64520	1	1	021200039	PISTON ROD ASSEMBLY	
SAE-64524	1	1	021200040	PISTON ROD ASSEMBLY	
SAE-64530	1	1	021200041	PISTON ROD ASSEMBLY	
SAE-64532	1	1	021200042	PISTON ROD ASSEMBLY	
SAE-64536	1	1	021200043	PISTON ROD ASSEMBLY	
SAE-64540	1	1	021200044	PISTON ROD ASSEMBLY	
SAE-64542	1	1	021200045	PISTON ROD ASSEMBLY	
SAE-64548	1	1	021200046	PISTON ROD ASSEMBLY	
SAE-64560	1	1	021200047	PISTON ROD ASSEMBLY	
SAE-64508	2	1	062000159	BUTT & TUBE ASSEMBLY	
SAE-64512	2	1	062000161	BUTT & TUBE ASSEMBLY	
SAE-64516	2	1	062000163	BUTT & TUBE ASSEMBLY	
SAE-64520	2	1	062000165	BUTT & TUBE ASSEMBLY	
SAE-64524	2	1	062000166	BUTT & TUBE ASSEMBLY	
SAE-64530	2	1	062000167	BUTT & TUBE ASSEMBLY	
SAE-64532	2	1	062000168	BUTT & TUBE ASSEMBLY	
SAE-64536	2	1	062000169	BUTT & TUBE ASSEMBLY	
SAE-64540	2	1	062000170	BUTT & TUBE ASSEMBLY	
SAE-64542	2	1	062000171	BUTT & TUBE ASSEMBLY	
SAE-64548	2	1	062000172	BUTT & TUBE ASSEMBLY	
SAE-64560	2	1	062000173	BUTT & TUBE ASSEMBLY	
SAE-64500	3	1	072000125	PISTON	
SAE-64500	4	1	082000123	GLAND	
SAE-64500	5	1	220000214	LOCKNUT	
SAE-64548	6	1	211300167	2" SPACER-NOT SHOWN	
SAE-64560	6	1	211300168	4" SPACER-NOT SHOWN	
SAE-64500	7	2	270010002	GREASE ZERK	
SAE-64500	8	1	240011007	BEARING RING	KIT
SAE-64500	9	1	240036009	TEFLON SEAL ASSEMBLY	KIT
SAE-64500	10	1	240000029	O-RING	KIT
SAE-64500	11	1	240000346	O-RING	KIT
SAE-64500	12	1	240061346	BU-WASHER	KIT
SAE-64500	13	1	240020011	U-CUP	KIT
SAE-64500	14	1	240000156	O-RING	KIT
SAE-64500	15	1	250014225	WIPER	KIT
SAE-64500			SAE-64500	PACKING KIT	