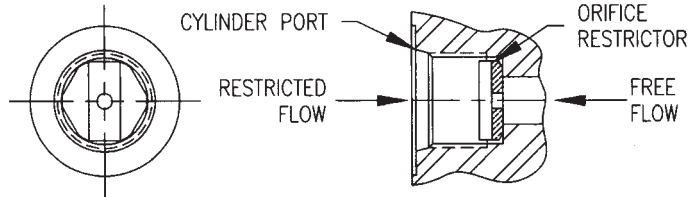
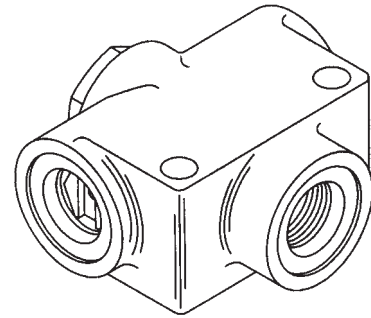
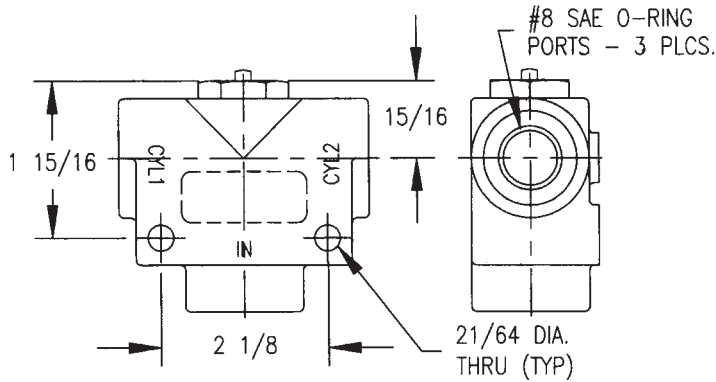




# REMOTE STROKE CONTROL VALVE

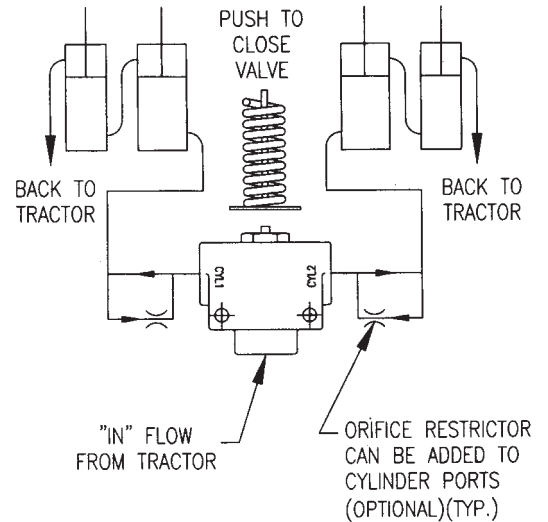
MODEL PM-SC-10 (with optional orifice restrictor)



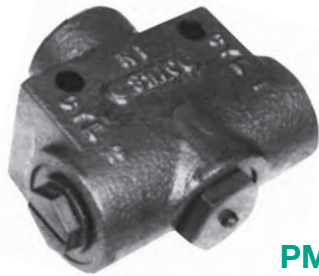
## ORIFICE RESTRICTORS AVAILABLE FOR CYLINDER PORTS (OPTIONAL):

- 670805062 .062 ORIFICE
- 670805125 .125 ORIFICE
- 670805000 NO ORIFICE (CUSTOMER DRILL)

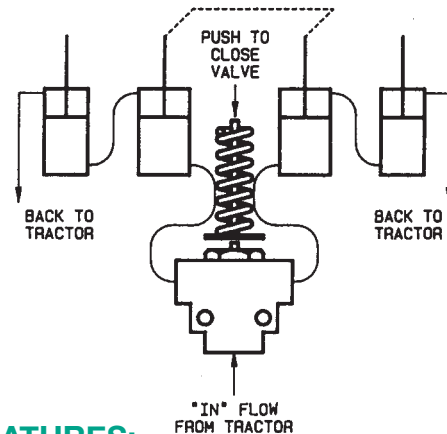
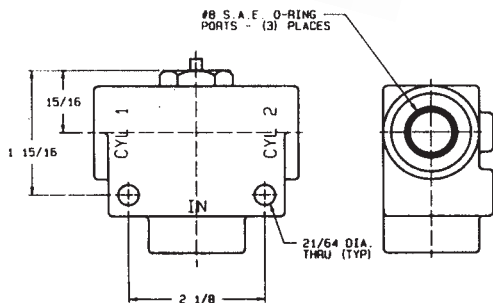
IF ANOTHER SIZE ORIFICE IS REQUIRED, PLEASE LET US KNOW.



## REMOTE STROKE CONTROL VALVE



MODEL PM-SC-10



## FEATURES:

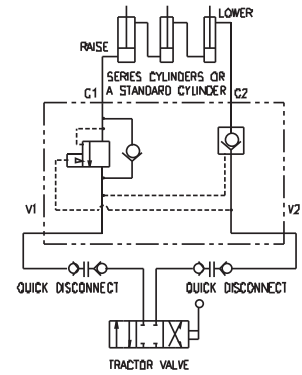
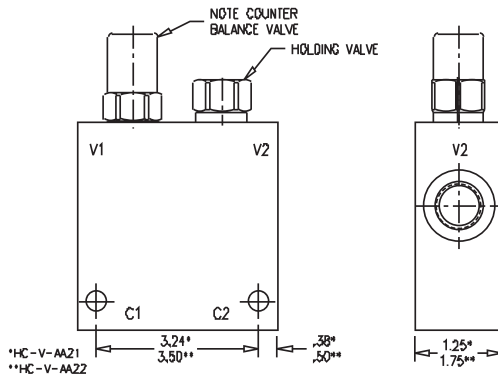
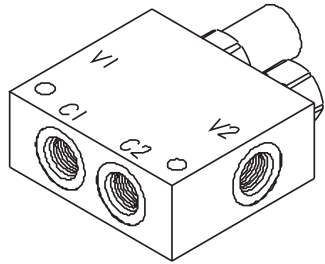
- (1) piece cast iron body
- Unitized stroke control valve cartridge
- Valve stem treated for corrosion resistance
- Valve closes to prevent return flow to tractor



# CYLINDER HOLDING VALVE

Model: HC-V-AA21

Model: HC-V-AA22



## FEATURES:

- Helps eliminate drifting and/or raising of implement wings.
- Counterbalance valve prevents free fall of cylinders thus preventing cavitation, air ingestion, and jerking.
- Prevents chatter when all air is completely bled.
- Locks ports to give a stiff hydraulic system and prevent lurching from side to side.
- Two cartridge valve block prevents bleed down seen in 3 cartridge valve systems.
- Can be used with single non-rephase cylinders. Hookup may vary from circuit above.
- Contact Prince Engineering Department for assistance.
- Valves available:
  - HC-V-AA21: use with lower flows, smaller tractors, and smaller hoses (typically up to 15 GPM)
  - HC-V-AA22: use with larger flows, larger tractors, and larger hoses (typically over 12-15 GPM and up to 30 GPM)

# TOP LINK CYLINDER

Model Number BD-0228 - Category II



## FEATURES:

- 3000 PSI Working Pressure
- 3" Bore x 10" Stroke
- Double Acting
- 1/2" NPTF Ports
- 1 3/8" Hard Chrome Plated Rod
- 20 7/8" Closed Length (Pin Center to Pin Center)
- Swivel End Fittings At Both Ends For 1" Diameter Pins

