



FA & FB SERIES LINE TYPE HYDRAULIC OIL FILTER

FA SERIES

FEATURES:

- Spin-on filter type element interchangeable with Cross and Gresen. See page C21 for additional interchange information.
- Standard elements available with 10 Micron Phenol Coated Paper. 100 mesh suction strainer elements also available.
- Filter condition indicator available.
- Compatible with all petroleum base fluids.
- The Prince FA Series Line Type Hydraulic Filter is a high quality, low cost filtration device for use on systems with flows up to 20 GPM. A built in bypass valve is incorporated in the rugged aluminum housing.
- Four return line application, a 15 PSI bypass spring is standard, with a 5 PSI spring available for suction line applications.



(optional accessory)

FB SERIES

FEATURES:

- Compatible with all petroleum base fluids.
- Spin-on type filter element interchangeable with Cross and Gresen. See page C22 for additional information.
- Standard elements available with 10 Micron Phenol Coated Paper. 100 mesh suction strainer elements also available.
- The Prince FB series line type hydraulic filter is intended for systems with flows up to 45 GPM.
- The spin-on feature enables element changes to be made quickly and easily. An optional condition indicator enables element changes to be made as they are needed.
- A bypass valve is incorporated in the filter housing to serve as a safety feature in the event of a clogged filter. Various bypass springs are available for suction or return line applications.

MODEL CODING INFORMATION

FA 1 2 0 0 - 0 0

PORT OPTION

1—3/4" NPTF

BY PASS SPRING

0—NONE
1— 5 PSI
2— 15 PSI
3—25 PSI

INDICATOR PORT LOCATION

0-NONE
1-SUCTION LINE (Std.)
2-RETURN LINE (Std.)
3-SUCTION LINE
4-RETURN LINE
A-PORTS 1, 2, 3 and 4 DRILLED AND TAPPED.
INCLUDES (3) 1/8" PIPE PLUGS, NOT INSTALLED

00-NO ELEMENT

ELEMENT SOLD SEPARATELY BELOW CASE LOTS OF 12

INDICATOR GAGE

0-NONE
1-RETURN LINE (0-200 PSI)
2-SUCTION LINE (0-30" Vacuum)

MODEL CODING INFORMATION

FB 1 2 0 0 - 0 0

PORT OPTION

1—1 1/4" NPTF

BY PASS SPRING

0— NONE
1— 5 PSI
2— 15 PSI
3— 25 PSI

INDICATOR PORT LOCATION

0— NONE
1— SUCTION LINE (Std.)
2— RETURN LINE (Std.)
3— SUCTION LINE
4— RETURN LINE
A— PORTS 1, 2, 3 and 4 DRILLED AND TAPPED.
INCLUDES (3) 1/8" PIPE PLUGS, NOT INSTALLED

00-NO ELEMENT

ELEMENT SOLD SEPARATELY BELOW CASE LOTS OF 6

INDICATOR GAGE

0— NONE
1— RETURN LINE (0-200 PSI)
2— SUCTION LINE (0-30" Vacuum)

SERVICE COMPONENTS

PART NUMBER.....	DESCRIPTION
FA10.....	10 MICRON ELEMENT (FA10 ELEMENT REPLACES PREVIOUS FA25 ELEMENT)
FA150.....	150 MICRON ELEMENT
FA.....	CANISTER THREAD SIZE 1-12 UNF-2A THREAD
270018001.....	NO BYPASS KIT
270018002.....	5 PSI BYPASS KIT
270018003.....	.15 PSI BYPASS KIT
270018004.....	.25 PSI BYPASS KIT
180900669.....	0-200 PSI RETURN LINE GAGE
180900778.....	0-30" VACUUM GAGE

SEE PAGE C21

SERVICE COMPONENTS

PART NUMBER.....	DESCRIPTION
FB10.....	10 MICRON ELEMENT (FB10 ELEMENT REPLACES PREVIOUS FB25 ELEMENT)
FB150.....	150 MICRON ELEMENT
FB.....	CANISTER THREAD SIZE 1 1/2-16 UN-2A THREAD
270018021.....	NO BYPASS KIT
270018022.....	5 PSI BYPASS KIT
270018023.....	.15 PSI BYPASS KIT
270018024.....	.25 PSI BYPASS KIT
180900669.....	0-200 PSI RETURN LINE GAGE
180900778.....	0-30" VACUUM GAGE

SEE PAGE C22

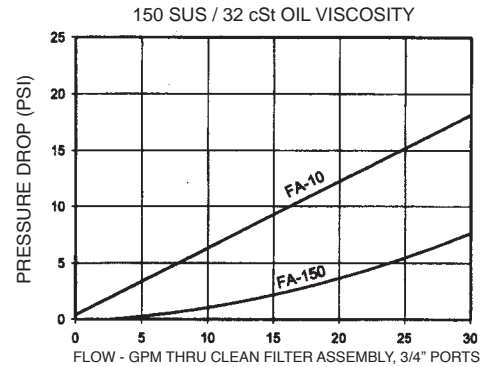


FA SERIES LINE TYPE HYDRAULIC OIL FILTER

SPECIFICATIONS

Max. Working Pressure 150 PSI
 Flow Up to 20 GPM
 Operating Temperature..... -65°F to 250°F
 Filter Head Material Cast Aluminum
 Gasket Material Buna N
 Shipping Wt. 2 lbs.

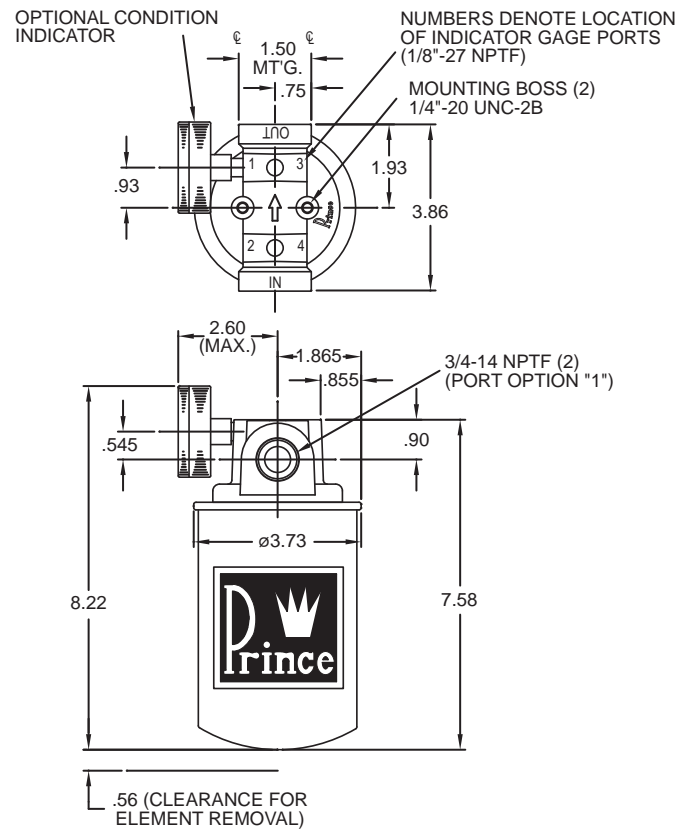
PRESSURE DROP



INTERCHANGE INFORMATION

MANUFACTURER	PART NUMBER	PRINCE PART NUMBER
CAN-FLO	RSE-30-10 RSE-30-25	FA10
CASE	S62427	FA10
CLARK/MICHIGAN 6516722	6515541	FA10
CROSS	1A9021 1A9023	FA10
DAVIS	H217307	FA10
DITCH WITCH	155910	FA10
ELGIN SWEEPER	71052	FA10
FIAT-ALLIS	70248399 702483998 72532042	FA10
FORD	193509 CONN6708A CONN8951B CONN8951C	FA10
FORD FRAM	SFD18502	FA10
GMC	6436232 6437228	FA10
GRESEN	1551, 1551001 K22001 1553, 1553003 K22002	FA10
HYSTER	180595	FA10
IHC	201021 C1 528250R1	FA10
JOHN DEERE	3080020 AT38431	FA10
JOY	1228371 1228372	FA10
KRALINATOR	L37, L54	FA10
LENZ	CP75210 CP75230	FA10
LHA	SPE1510 SPE1525	FA10
MASSEY FERGUSON	1033356M1	FA10
MICHIGAN FLUID POWER	S28 S29	FA10
PARKER HANNIFIN	92199 925023	FA10
RIPLEY	DP75210 DP75230	FA10
RYCO	Z42, Z53 Z136	FA10
SUNSTRAND	93220010	FA10
TENNANT	52582	FA10
TORO	239740	FA10
TOWMOTOR	665934	FA10
ZINGA	AE10 AE25	FA10

DIMENSIONAL INFORMATION



DIMENSIONS ARE IN INCHES, REFERENCE ONLY

PRINCE MANUFACTURING CORPORATION

P.O. BOX 7000
 NORTH SIOUX CITY, SD 57049-7000
 PHONE: 605-235-1220 FAX: 605-235-1082

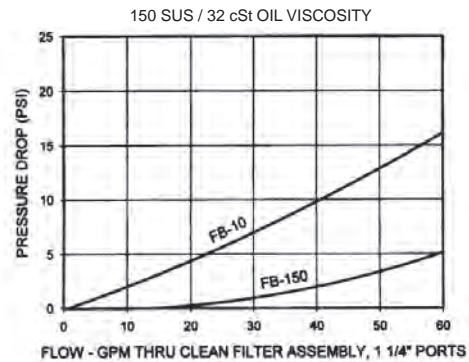


FB SERIES LINE TYPE HYDRAULIC OIL FILTER

SPECIFICATIONS

Max. Working Pressure 150 PSI
 Flow Up to 45 GPM
 Operating Temperature..... -65°F to 250°F
 Filter Head Material Cast Aluminum
 Gasket Material Buna N
 Shipping Wt. 4 1/2 lbs.

PRESSURE DROP

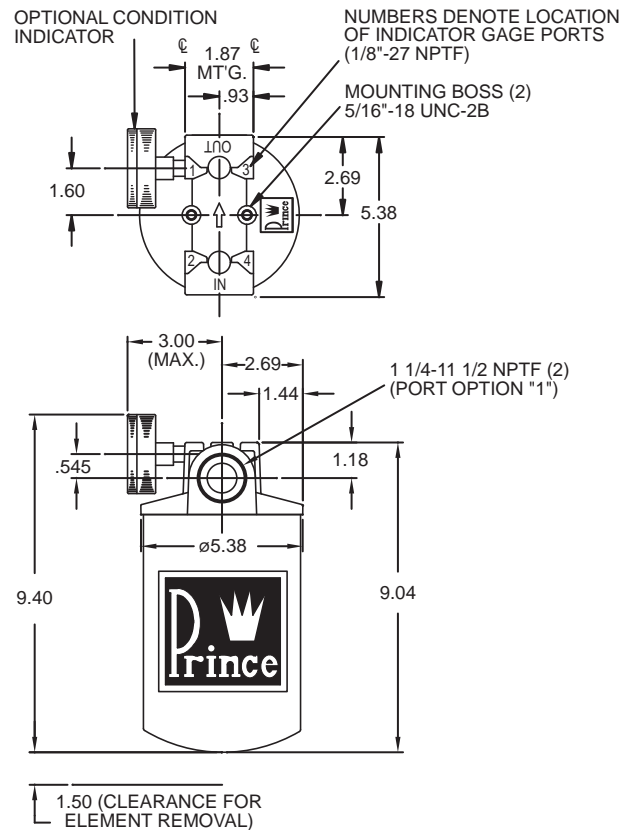


INTERCHANGE INFORMATION

* INDICATED APPLICATIONS REQUIRE GASKET #180900772
 PLEASE ORDER SEPARATELY.

MANUFACTURER	PART NUMBER	PRINCE PART NUMBER
CAN-FLO	CF50E10 RSE5010 RSE5025N	FB10*
CASE	H341974 R25844	FB10*
CATERPILLAR	342449 8J1600	FB10*
CLARK/MICHIGAN	6511280	FB10*
	6519239	FB10*
	6591038 6552507	FB10*
CROSS	1A9251 1A9253	FB10*
GMC	25011184	FB10*
GRESEN	K23018 K23019	FB10*
HYDRA-MAC	3401303	FB10*
IHC	69149C1	FB10*
JOHN DEERE	AT44696	FB10*
	AT58368	FB10*
	R16943	FB10*
	AR43261 AR43634	FB10*
KRALINATOR	L194	FB10*
LENZ	CP128255	FB10*
LHA	SPE5010 SPE5025	FB10*
MICHIGAN FLUID POWER	2020600 3800004 3800077 S58	FB10*
	2020030 S59	FB10*
	NEW HOLLAND	262546
OWATONNA	17032375	FB10*
PALL	HC7500SUJ4H HC9500SUJ4H	FB10*
PARKER HANNIFIN	926163B	FB10*
SULLAIR	408242	FB10*
SUNSTRAND	97006553	FB10*
TORO	8076001 445340	FB10*
TOWMOTOR	342449	FB10*
VERSATILE	15801	FB10*
VICKERS	575942 575943	FB10*
ZINGA	GCE10 GCE25	FB10*
	SE10 SE25	FB10*

DIMENSIONAL INFORMATION



DIMENSIONS ARE IN INCHES REFERENCE ONLY