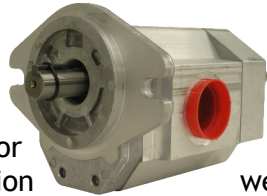




THE HYDRAULIC PRESS

2 Day Shipment for Gear Pumps

Prince continues to carry a large supply of stand-in inventory for immediate shipment. In addition we carry component inventory allowing Prince to offer a **two day shipment** potential for a wide variety of std. models not in stock. When you look at our on-line inventory status of pumps and the quantity is zero, click on the details section and those we can support a 2 day shipment will be noted. You can even place your order on-line via our web ordering tool after you find the pump you want to expedite. Be sure to note this expedite on your order or contact your CSR to confirm this.



****Need a log-in to our web site? Ask your Sales or Customer Service representative for one****



Product Spotlight

Motor Line Expands

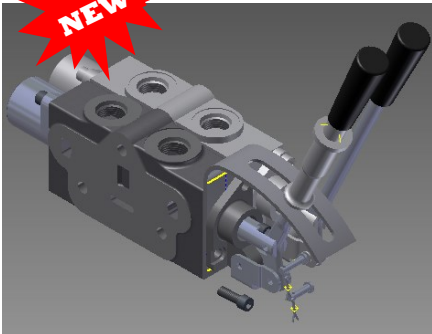
We have added a two-bolt flange to our motor line and will be stocking the catalog part numbers. To see the models we have to offer click the below link:



[CLICK HERE](#)



SV Valve Line to Offer Locking Handle Option



We've had many requests to add a locking handle option to our SV stack valves. Customers now have this safety handle available as a factory installed option during assembly or as an add on kit for retrofitting an existing SVW, SVM and SVF section.

If ordering it as an assembly it is handle option 13

The kit number is: 660180234 and lists for \$34.51



Quick Shipment and No minimums on Valves



We've heard of suppliers in the market place who are struggling with deliveries either because of consolidations or even foundries closing. Please let us know if you need anything inside of lead time on valves as we are able to accommodate deliveries in a very short time for many requests. We are also happy to announce because of increase manufacturing efficiencies we will be doing away with the small quantity adder on the RD5000 Series as well as the RD4100 Series valves effective immediately.



Come and visit Prince at the CONEXPO-CON/AGG Show and IFPE Exposition in Las Vegas this coming March 4th-8th in the South Hall at booth #81942.