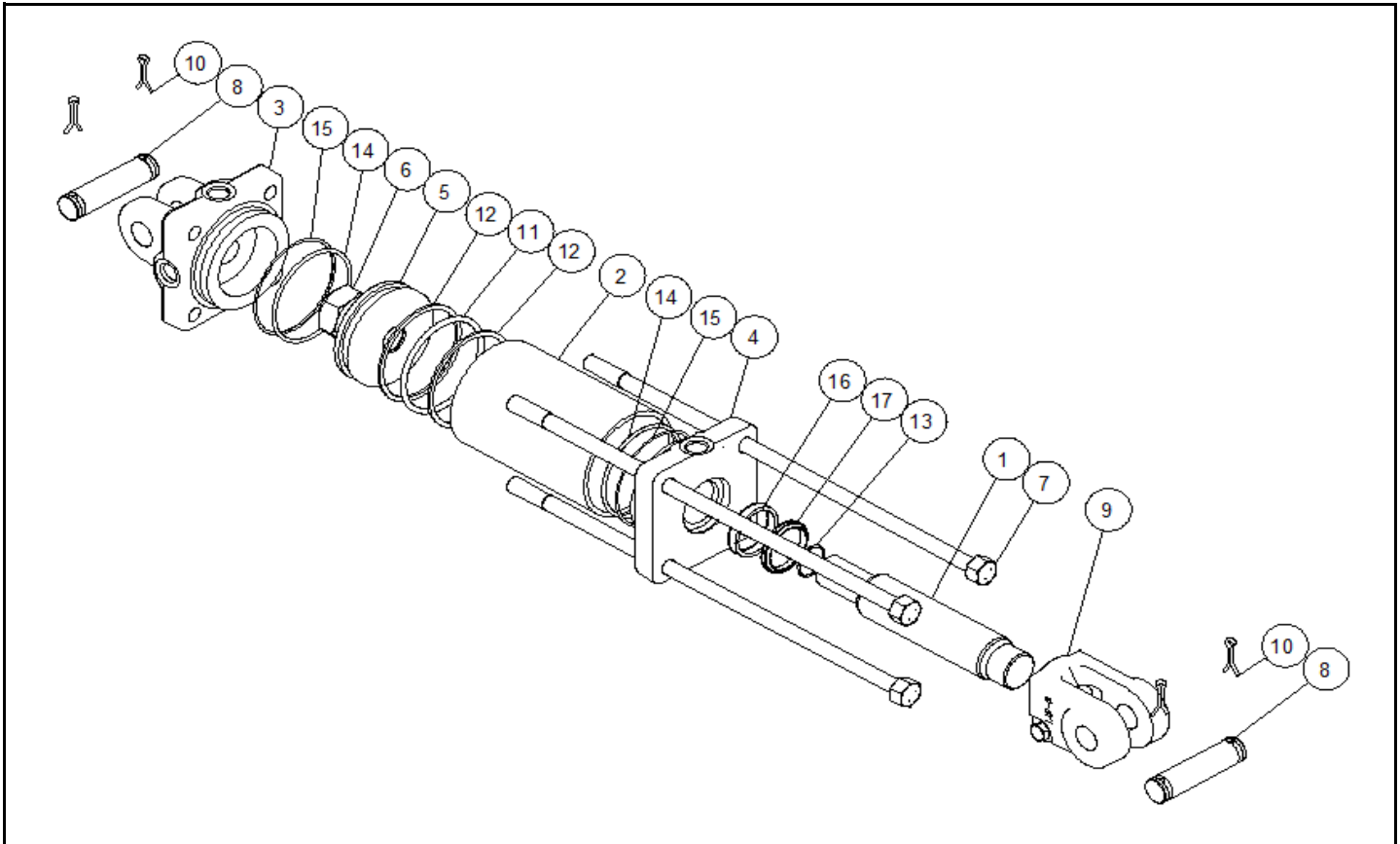




# MAJESTIC LINE

2500 PSI



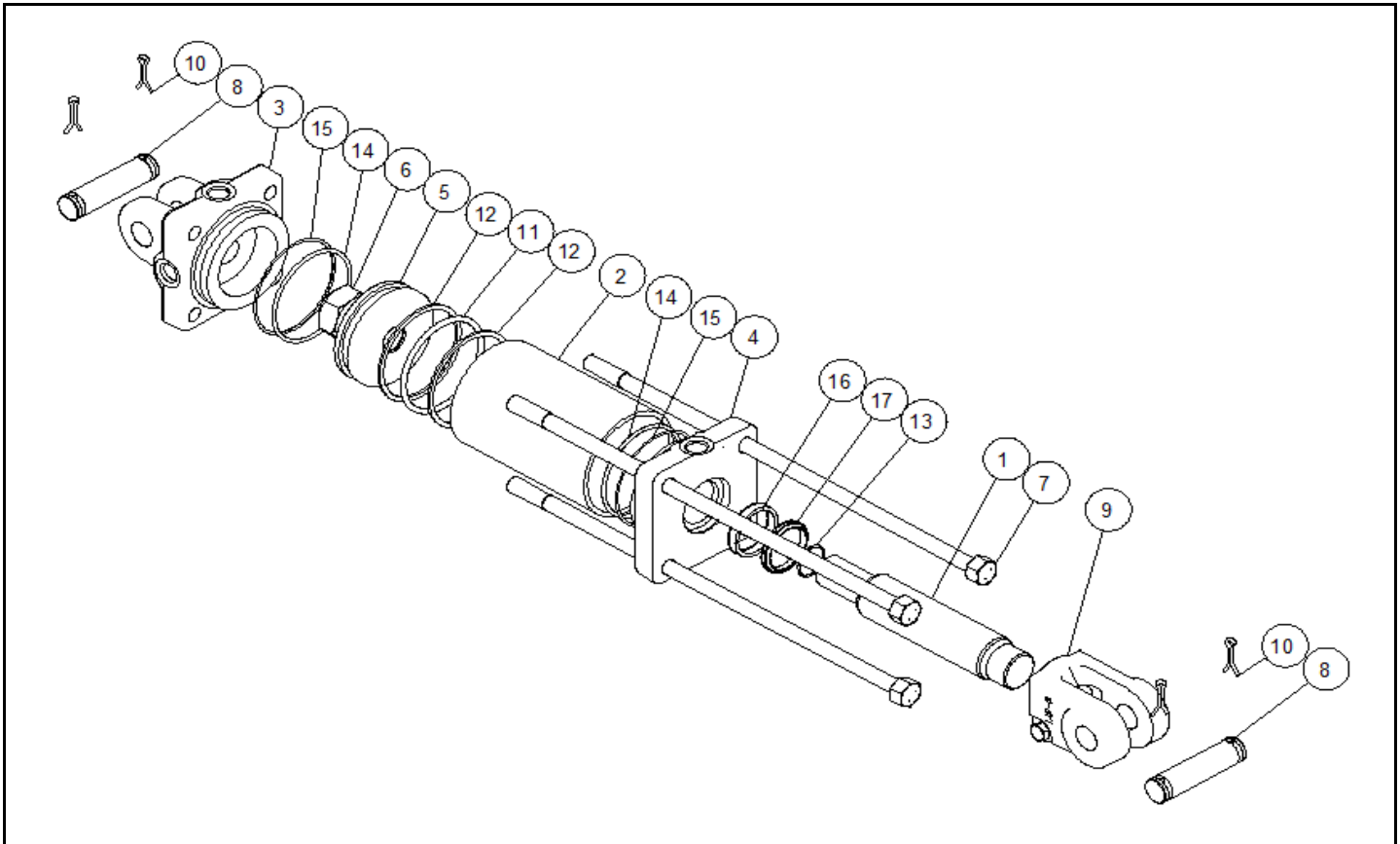
## SAE-8400 MAJESTIC LINE 2.00" BORE 1.00" ROD

MODEL	ITEM	QUANTITY	PART NUMBER	DESCRIPTION
SAE-8404	1	1	010400006	PISTON ROD
SAE-8406	1	1	010400007	PISTON ROD
SAE-8408	1	1	010400008	PISTON ROD
SAE-8410	1	1	010400009	PISTON ROD
SAE-8404	2	1	051106063A	TUBE
SAE-8406	2	1	051108063A	TUBE
SAE-8408	2	1	051110063A	TUBE
SAE-8410	2	1	051112063A	TUBE
SAE-8400	3	1	1411005SF	BUTT
SAE-8400	4	1	0811ABASF	GLAND
SAE-8400	5	1	071100004	PISTON
SAE-8400	6	1	220000208	LOCKNUT
SAE-8404	7	4	170103081	TIEROD
SAE-8406	7	4	170103101	TIEROD
SAE-8408	7	4	170103121	TIEROD
SAE-8410	7	4	170103141	TIEROD
SAE-8400	8	2	190400001	CLEVIS PIN
SAE-8400	9	1	100000425	CLEVIS ASSY
SAE-8400	10	4	220001504	COTTER PIN



# MAJESTIC LINE

2500 PSI



## SAE-8400 MAJESTIC LINE 2.00" BORE 1.00" ROD

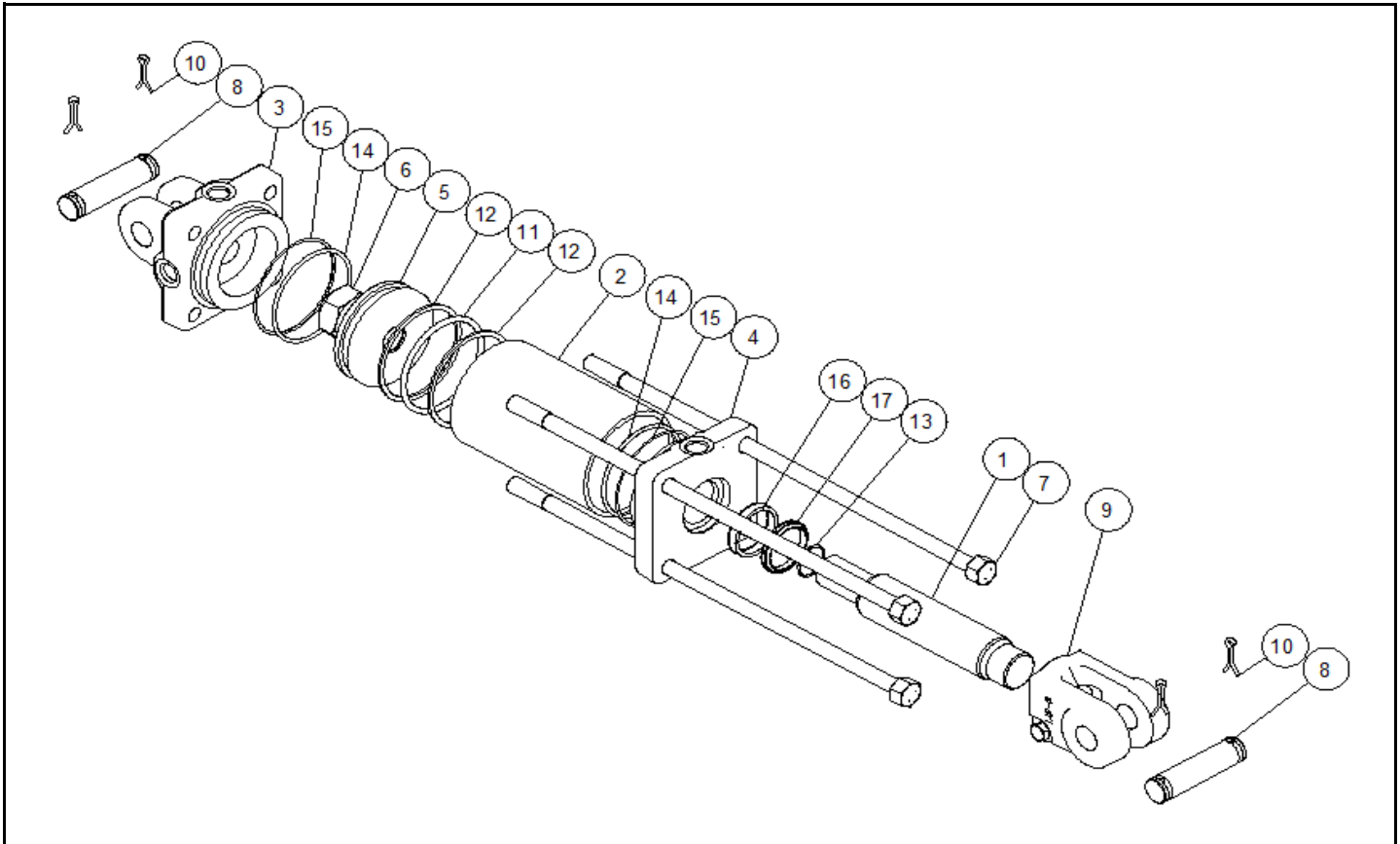
MODEL	ITEM	QUANTITY	PART NUMBER	DESCRIPTION
SAE-8400	11	1*	240000326	O-RING
SAE-8400	12	2*	240063326	BU-WASHER
SAE-8400	13	1*	240000018	O-RING
SAE-8400	14	2*	240000224	O-RING
SAE-8400	15	2*	240061224	BU-WASHER
SAE-8400	16	1*	240037002	U-CUP
SAE-8400	17	1*	250001214	WIPER
SAE-8400	18	2**	240001326	O-RING
SAE-8400	19	1**	240000214	O-RING
SAE-8400	20	1**	240005214	BU-WASHER
SAE-8400	21	1**	240020182	U-CUP
SAE-8400			PMCK-8400	PACKING KIT

\*\*ITEMS ARE REPLACEMENTS PART AND ARE NOT SHOWN ON ABOVE DRAWING



# MAJESTIC LINE

2500 PSI



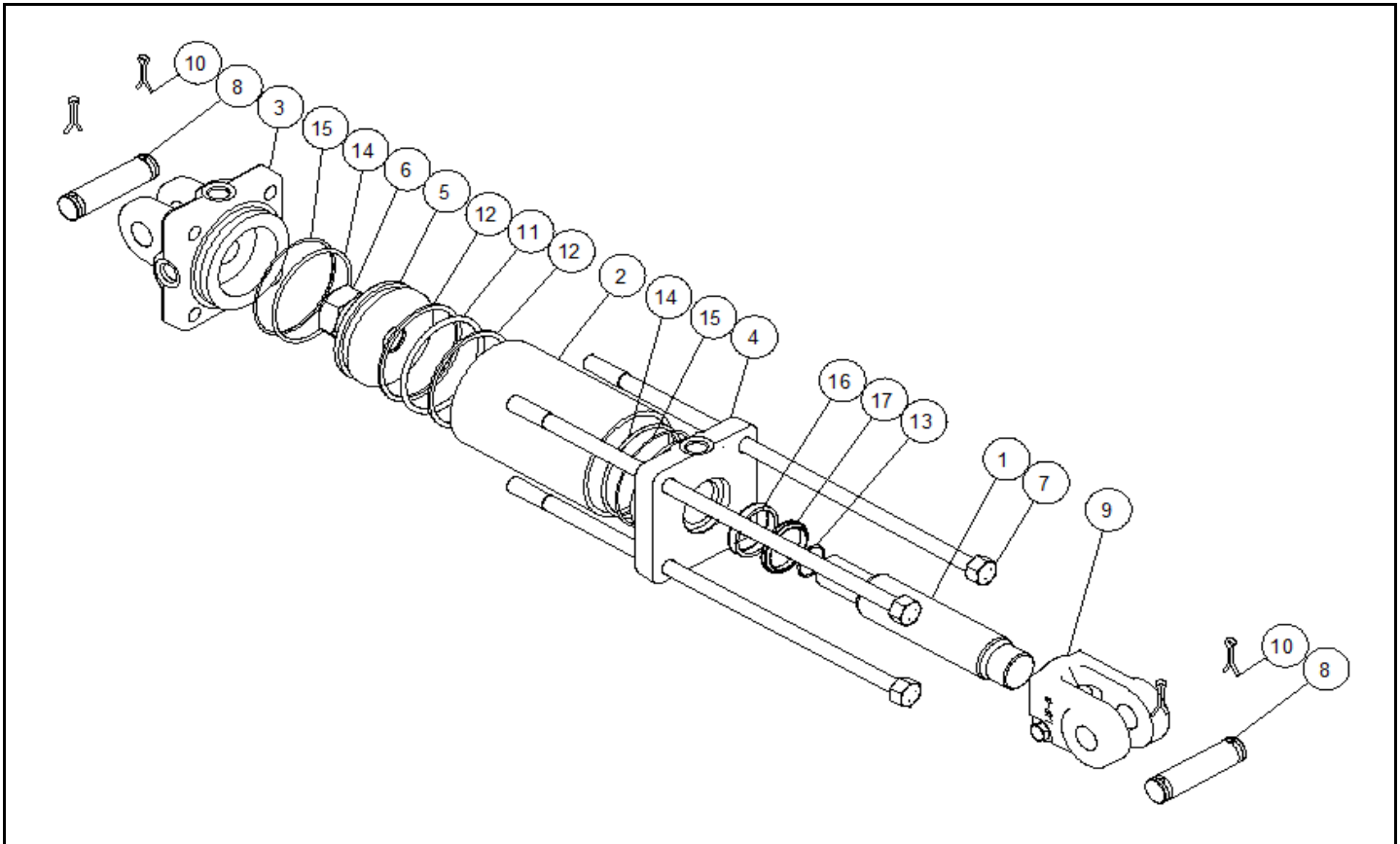
### SAE-7000 MAJESTIC LINE 2 1/2 BORE 1 1/8" ROD

MODEL	ITEM	QUANTITY	PART NUMBER	DESCRIPTION
SAE-7006	1	1	010500004	PISTON ROD
SAE-7008	1	1	010500005	PISTON ROD
SAE-7006	2	1	051308063A	TUBE
SAE-7008	2	1	051310063A	TUBE
SAE-7000	3	1	1413005SF	BUTT
SAE-7000	4	1	081300146	GLAND
SAE-7000	5	1	071300004	PISTON
SAE-7000	6	1	220000208	LOCKNUT
SAE-7006	7	4	170201101	TIEROD
SAE-7008	7	4	170201121	TIEROD
SAE-7000	8	2	190400001	CLEVIS PIN
SAE-7000	9	1	100000423	CLEVIS ASSY
SAE-7000	10	4	220001504	COTTER PIN
SAE-7000	11	1*	240000330	O-RING
SAE-7000	12	2*	240063330	BU-WASHER
SAE-7000	13	1*	240000018	O-RING
SAE-7000	14	2*	240000228	O-RING
SAE-7000	15	2*	240061228	BU-WASHER
SAE-7000	16	1*	240037071	U-CUP



# MAJESTIC LINE

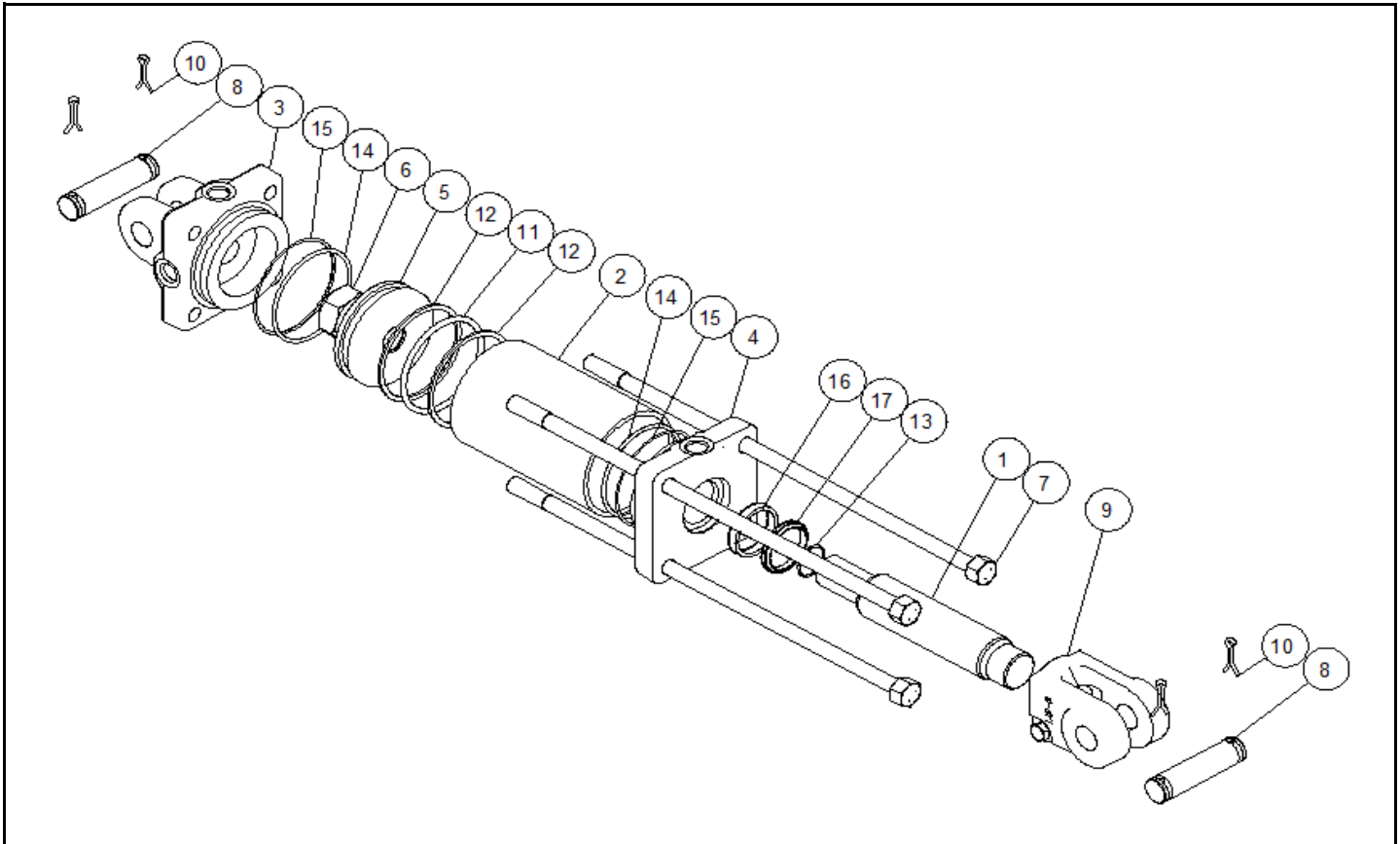
2500 PSI



**SAE-7000 MAJESTIC LINE 2 1/2 BORE 1 1/8" ROD**

MODEL	ITEM	QUANTITY	PART NUMBER	DESCRIPTION
SAE-7000	17	1*	250001216	WIPER
SAE-7000	18	2**	240001330	O-RING
SAE-7000	19	1**	240000216	O-RING
SAE-7000	20	1**	240005216	BU-WASHER
SAE-7000			PMCK-7000	PACKING KIT

**\*\*ITEMS ARE REPLACEMENTS PART AND ARE NOT SHOWN ON ABOVE DRAWING**



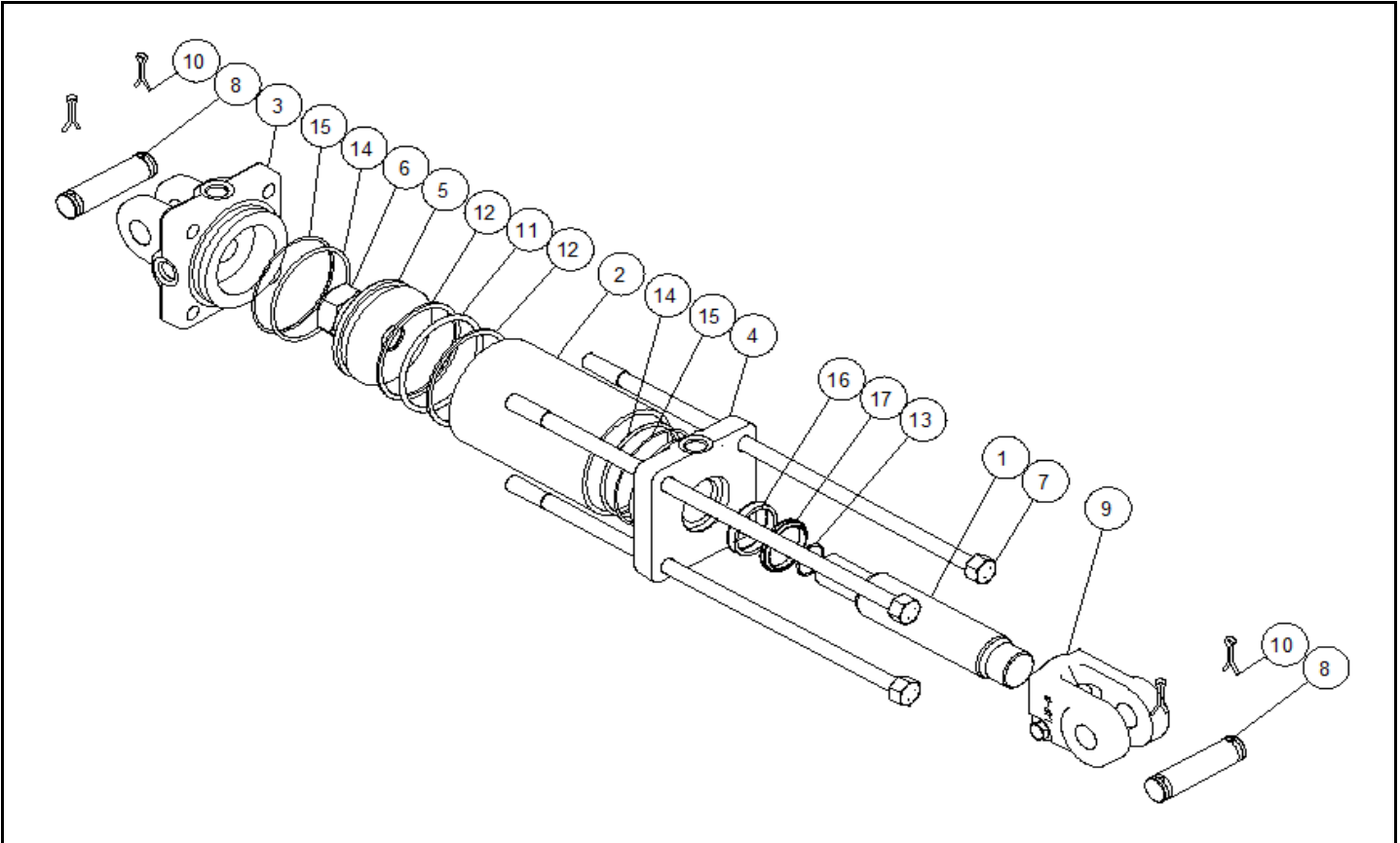
### SAE-7100 MAJESTIC LINE 3 BORE 1 1/8" ROD

MODEL	ITEM	QUANTITY	PART NUMBER	DESCRIPTION
SAE-7106	1	1	010500004	PISTON ROD
SAE-7108	1	1	010500005	PISTON ROD
SAE-7106	2	1	051508063A	TUBE
SAE-7108	2	1	051510063A	TUBE
SAE-7100	3	1	141500043	BUTT
SAE-7100	4	1	081500230	GLAND
SAE-7100	5	1	071500003	PISTON
SAE-7100	6	1	220000208	LOCKNUT
SAE-7106	7	4	170201102	TIEROD
SAE-7108	7	4	170201122	TIEROD
SAE-7100	8	2	190400001	CLEVIS PIN
SAE-7100	9	1	100000423	CLEVIS ASSY
SAE-7100	10	4	220001504	COTTER PIN
SAE-7100	11	1*	240000334	O-RING
SAE-7100	12	2*	240063334	BU-WASHER
SAE-7100	13	1*	240000018	O-RING
SAE-7100	14	2*	240000232	O-RING
SAE-7100	15	2*	240061232	BU-WASHER
SAE-7100	16	1*	240037071	U-CUP



# MAJESTIC LINE

2500 PSI



**SAE-7100 MAJESTIC LINE 3 BORE 1 1/8" ROD**

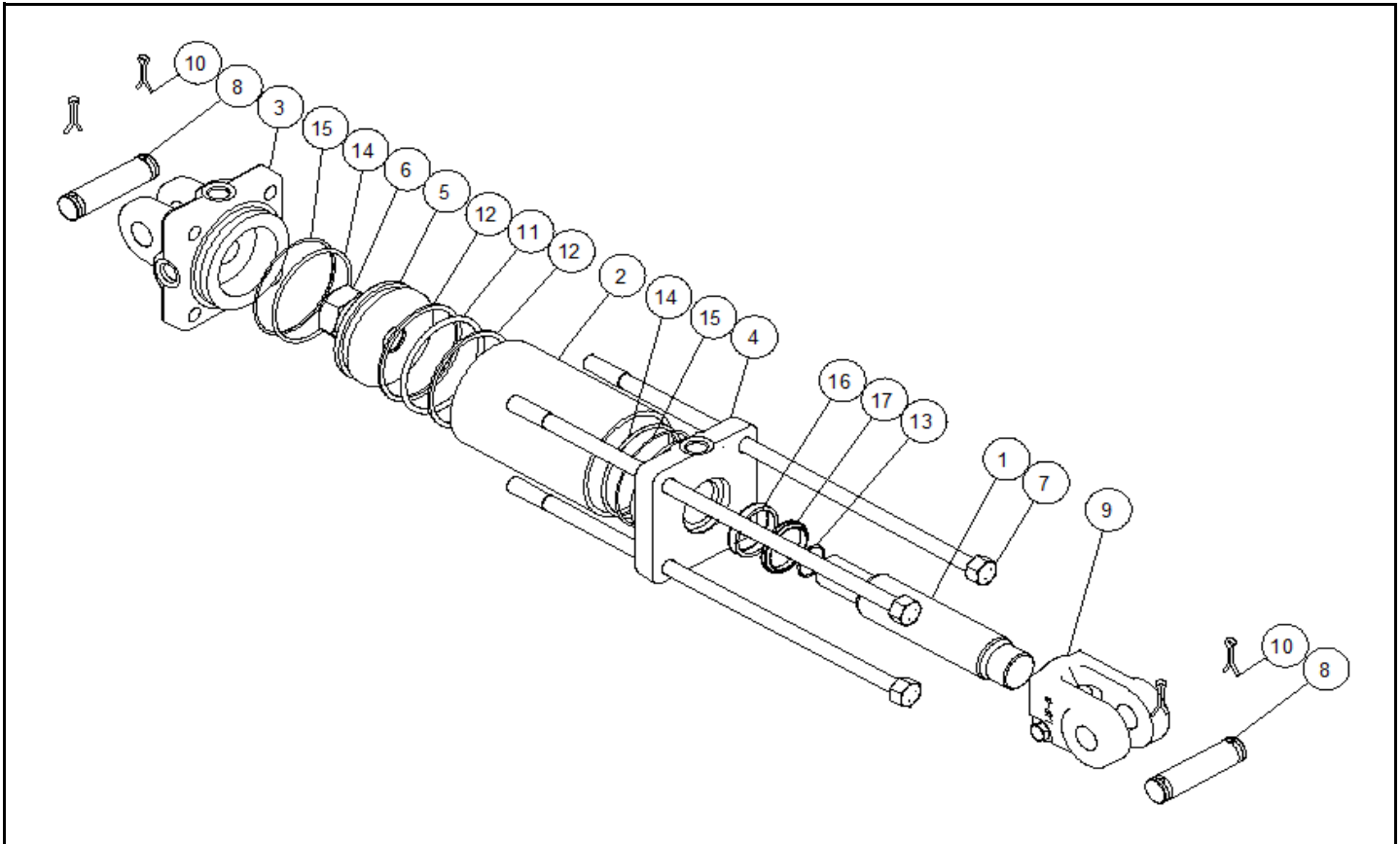
MODEL	ITEM	QUANTITY	PART NUMBER	DESCRIPTION
SAE-7100	17	1*	250001216	WIPER
SAE-7100	18	2**	240001334	O-RING
SAE-7100	19	1**	240000216	O-RING
SAE-7100	20	1**	240005216	BU-WASHER
SAE-7100			PMCK-7100	PACKING KIT

**\*\*ITEMS ARE REPLACEMENTS PART AND ARE NOT SHOWN ON ABOVE DRAWING**



# MAJESTIC LINE

2500 PSI



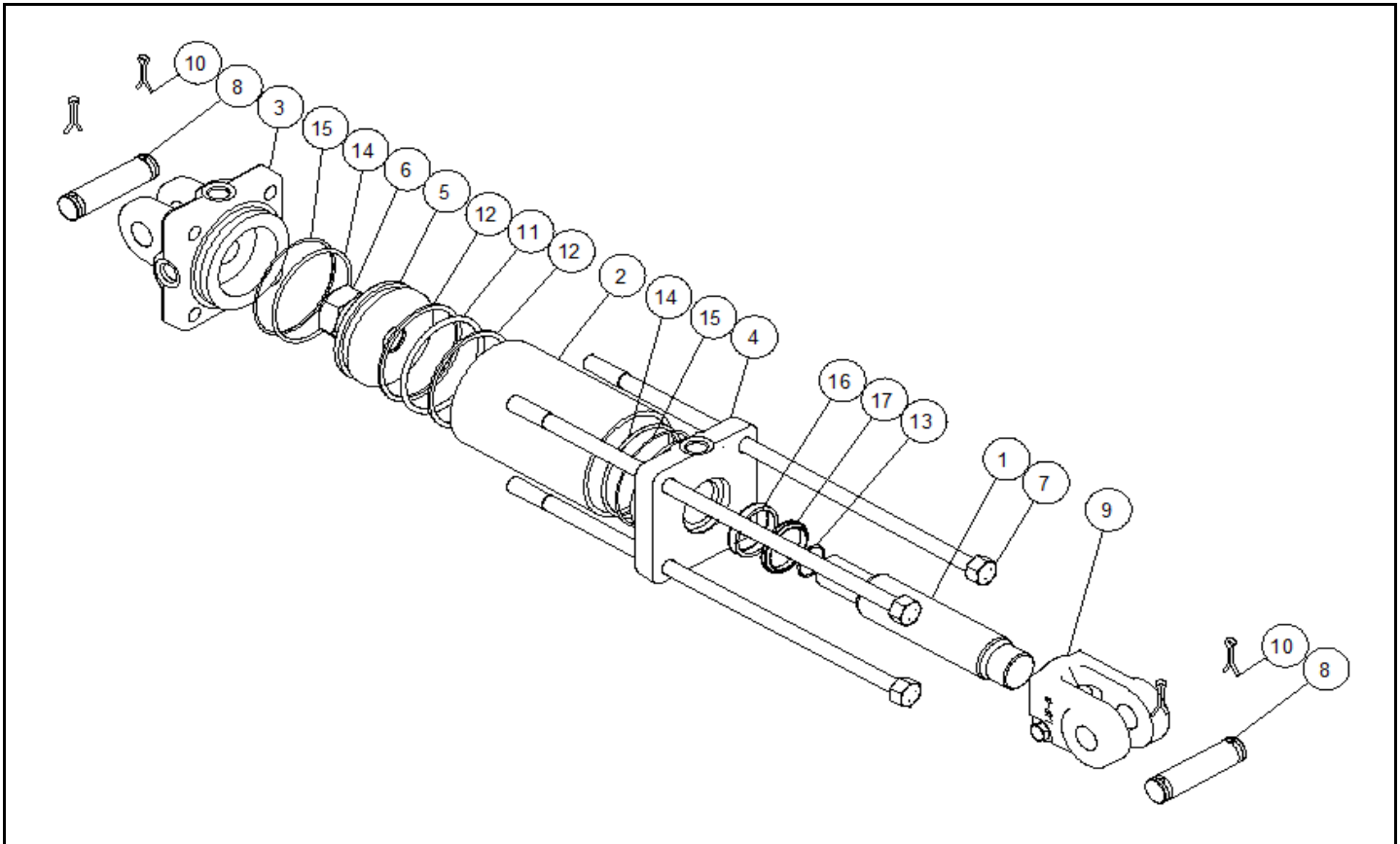
### SAE-7200A MAJESTIC LINE 3 1/2" BORE 1 1/8" ROD

MODEL	ITEM	QUANTITY	PART NUMBER	DESCRIPTION
SAE-7208A	1	1	010500345	PISTON ROD
SAE-7208A	2	1	051700009	TUBE
SAE-7200A	3	1	140170023	BUTT
SAE-7200A	4	1	081700182	GLAND
SAE-7200A	5	1	071700185	PISTON
SAE-7200A	6	1	220000209	LOCKNUT
SAE-7208A	7	4	170201123	TIEROD
SAE-7200A	8	2	190400001	CLEVIS PIN
SAE-7200A	9	1	100000423	CLEVIS ASSY
SAE-7200A	10	4	220001504	COTTER PIN
SAE-7200A	11	1*	240000338	O-RING
SAE-7200A	12	2*	240063338	BU-WASHER
SAE-7200A	13	1*	240000024	O-RING
SAE-7200A	14	2*	240000236	O-RING
SAE-7200A	15	2*	240061236	BU-WASHER
SAE-7200A	16	1*	240037071	U-CUP
SAE-7200A	17	1*	250001216	WIPER
SAE-7200A	18	2**	240001338	O-RING
SAE-7200A	19	1**	240000216	O-RING



# MAJESTIC LINE

2500 PSI



**SAE-7200A MAJESTIC LINE 3 1/2" BORE 1 1/8" ROD**

MODEL	ITEM	QUANTITY	PART NUMBER	DESCRIPTION
SAE-7200A	20	1**	240005216	BU-WASHER
SAE-7200A	21	1**	240000018	O-RING
SAE-7200A			PMCK-7200A	PACKING KIT

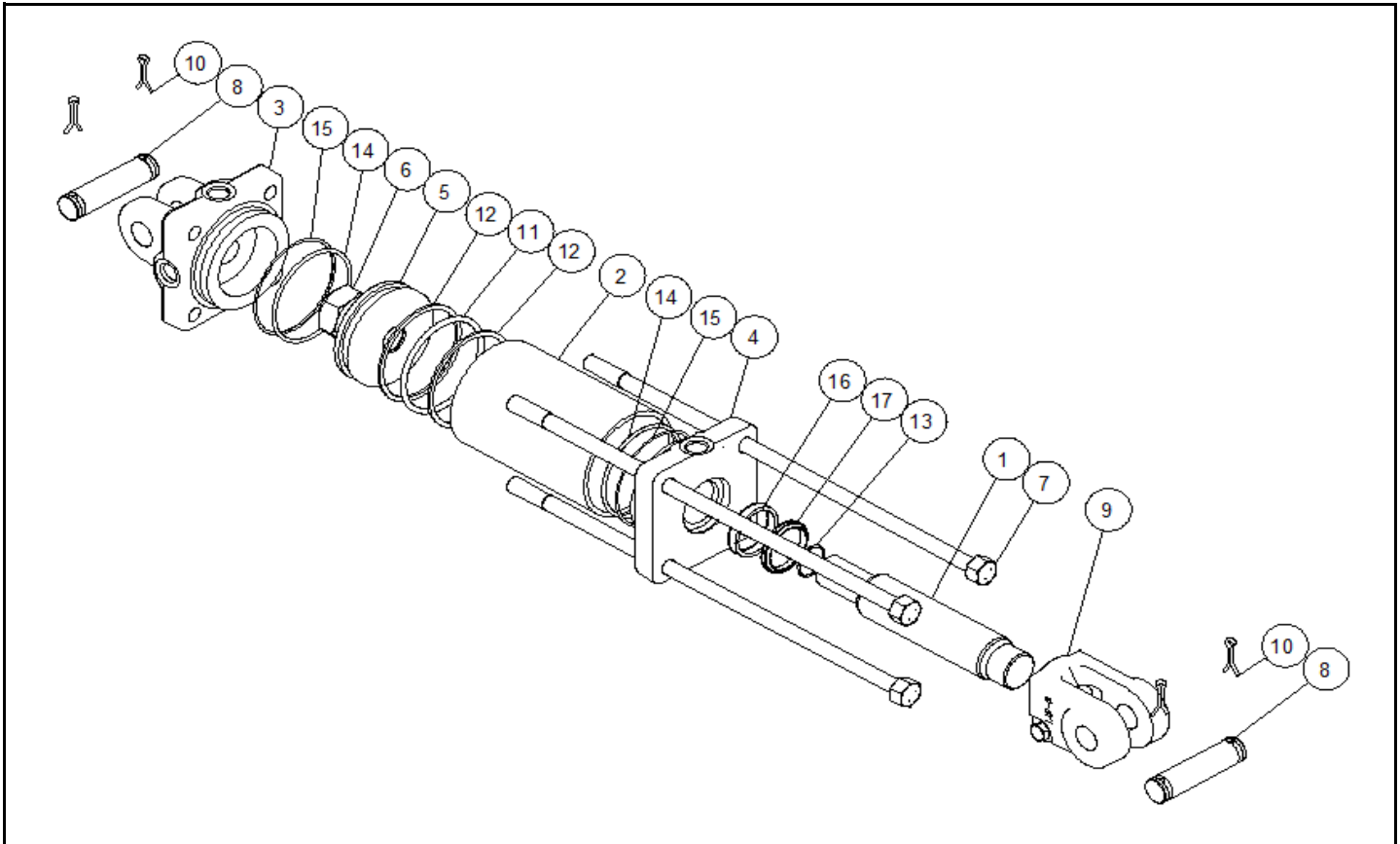
**\*\*ITEMS ARE REPLACEMENTS PART AND ARE NOT SHOWN ON ABOVE DRAWING**





# MAJESTIC LINE

2500 PSI



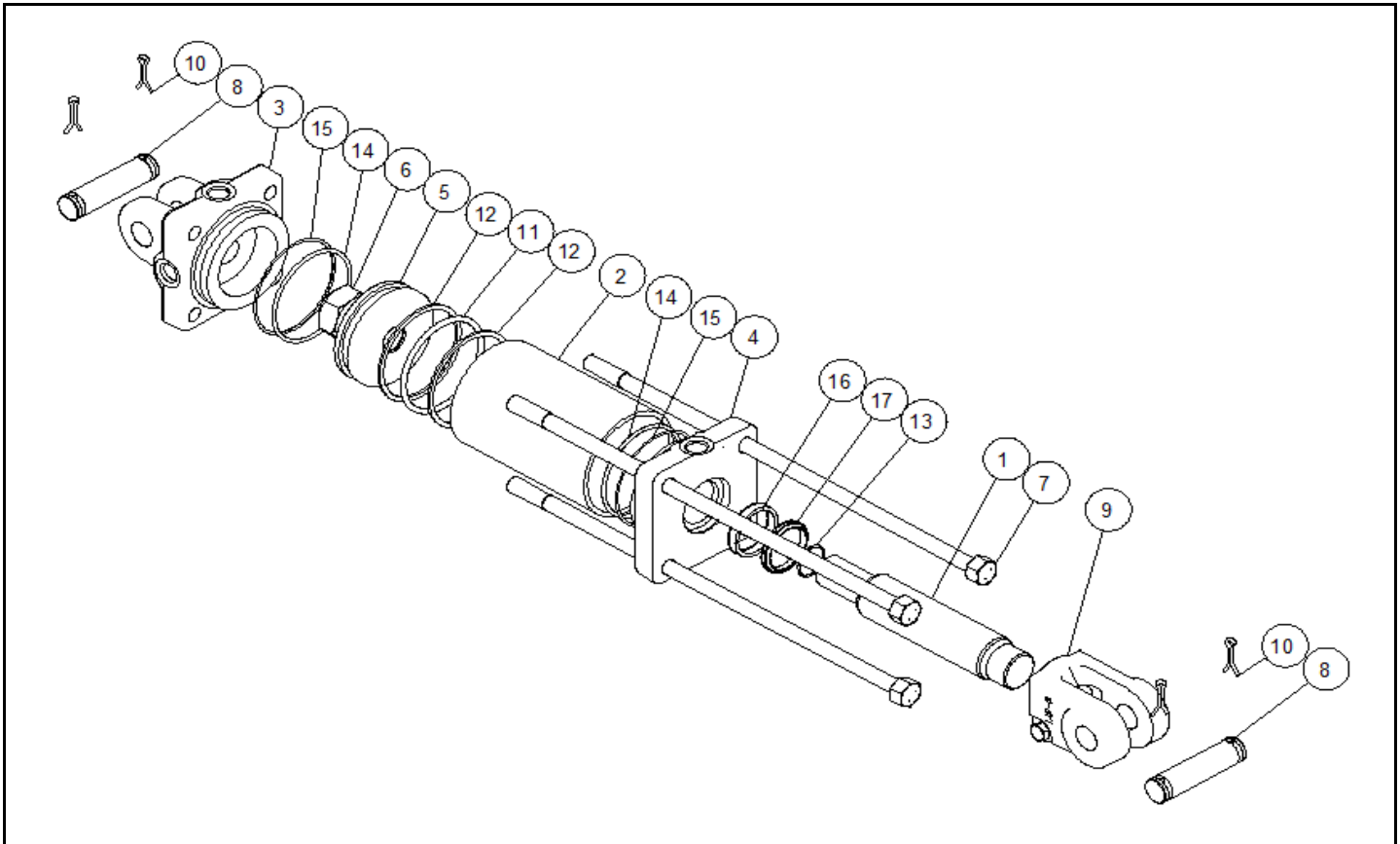
## SAE-8600 MAJESTIC LINE 4 BORE 1 1/2" ROD

MODEL	ITEM	QUANTITY	PART NUMBER	DESCRIPTION
SAE-8608	1	1	010800005	PISTON ROD
SAE-8610	1	1	010800006	PISTON ROD
SAE-8608	2	1	051910563A	TUBE
SAE-8610	2	1	051912563A	TUBE
SAE-8600	3	1	1419005SF	BUTT
SAE-8600	4	1	081900231	GLAND
SAE-8600	5	1	071900006	PISTON ROD
SAE-8600	6	1	220000210	LOCKNUT
SAE-8608	7	4	170301135	TIEROD
SAE-8610	7	4	170301155	TIEROD
SAE-8600	8	2	190400004	CLEVIS PIN
SAE-8600	9	1	100000326	CLEVIS ASSY
SAE-8600	10	4	220001504	COTTER PIN
SAE-8600	11	1*	240000342	O-RING
SAE-8600	12	2*	240063342	BU-WASHER
SAE-8600	13	1*	240000022	O-RING
SAE-8600	14	2*	240000240	O-RING
SAE-8600	15	2*	240061240	BU-WASHER
SAE-8600	16	1*	240020059	U-CUP



# MAJESTIC LINE

2500 PSI



**SAE-8600 MAJESTIC LINE 4 BORE 1 1/2" ROD**

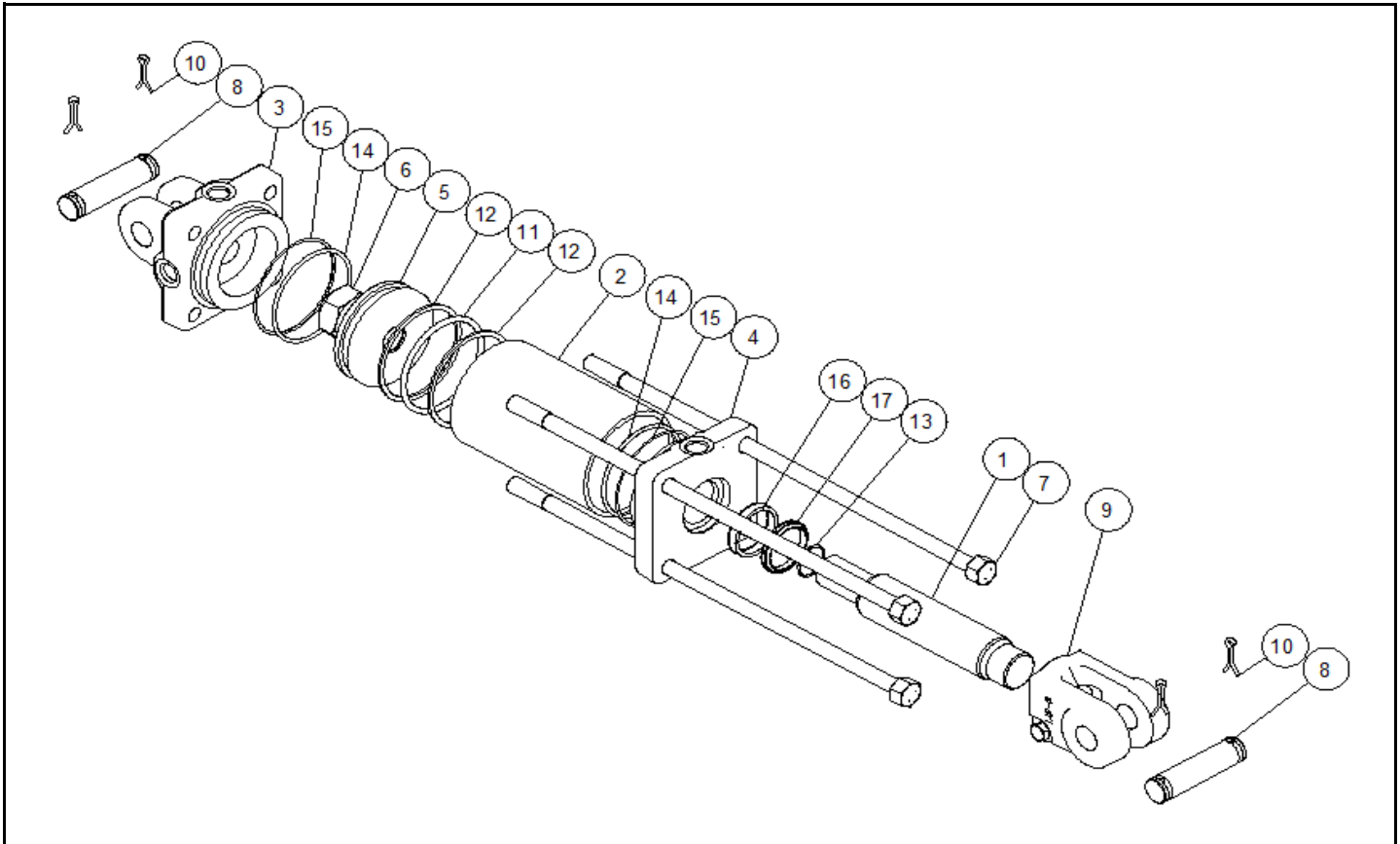
MODEL	ITEM	QUANTITY	PART NUMBER	DESCRIPTION
SAE-8600	17	1*	250001222	WIPER
SAE-8600	18	2**	240001342	O-RING
SAE-8600	19	1**	240000222	O-RING
SAE-8600	20	1**	240005222	BU-WASHER
SAE-8600			PMCK-8600	PACKING KIT

**\*\*ITEMS ARE REPLACEMENTS PART AND ARE NOT SHOWN ON ABOVE DRAWING**



# MAJESTIC LINE

2500 PSI



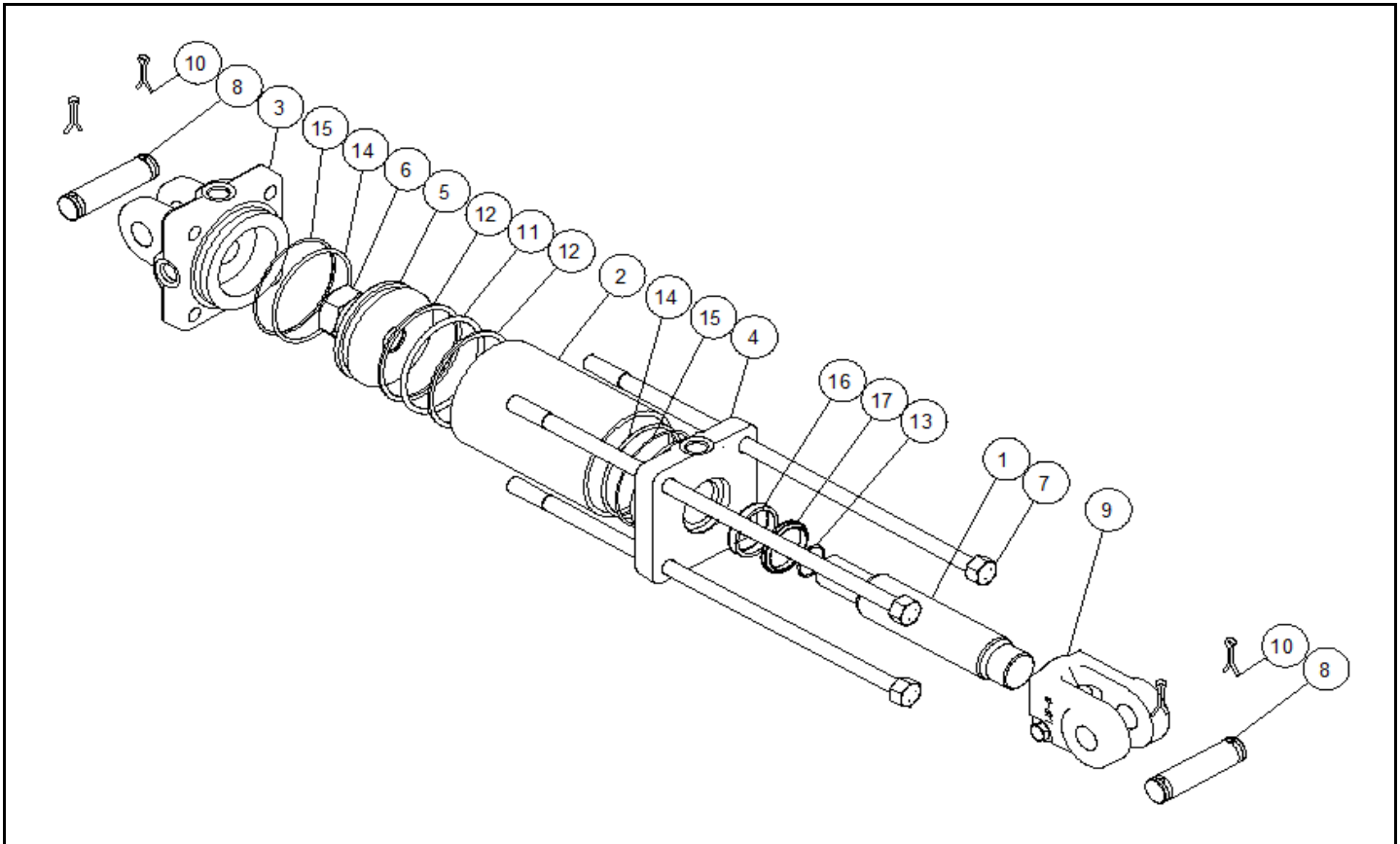
### SAE-8200 MAJESTIC LINE 5.00" BORE 1.75" ROD

MODEL	ITEM	QUANTITY	PART NUMBER	DESCRIPTION
SAE-8208	1	1	011000038	PISTON ROD
SAE-8210	1	1	011000039	PISTON ROD
SAE-8208	2	1	052100010	TUBE
SAE-8210	2	1	052100011	TUBE
SAE-8200	3	1	142100035	BUTT
SAE-8200	4	1	082100184	GLAND
SAE-8200	5	1	072100002	PISTON
SAE-8200	6	1	220000212	LOCKNUT
SAE-8208	7	4	170301136	TIEROD
SAE-8210	7	4	170301156	TIEROD
SAE-8200	8	2	190600016	CLEVIS PIN
SAE-8200	9	1	100000362	CLEVIS ASSY
SAE-8200	10	4	220001504	COTTER PIN
SAE-8200	11	1*	240000425	O-RING
SAE-8200	12	2*	240034425	BU-WASHER
SAE-8200	13	1*	240000026	O-RING
SAE-8200	14	2*	240000248	O-RING
SAE-8200	15	2*	240061248	BU-WASHER
SAE-8200	16	1*	240020007	U-CUP



# MAJESTIC LINE

2500 PSI



**SAE-8200 MAJESTIC LINE 5.00" BORE 1.75" ROD**

MODEL	ITEM	QUANTITY	PART NUMBER	DESCRIPTION
SAE-8200	17	1*	250001327	WIPER
SAE-8200	18	2**	240001425	O-RING
SAE-8200	19	1**	240000327	O-RING
SAE-8200	20	1**	240005327	BU-WASHER
SAE-8200			PMCK-8200	PACKING KIT

**\*\*ITEMS ARE REPLACEMENTS PART AND ARE NOT SHOWN ON ABOVE DRAWING**