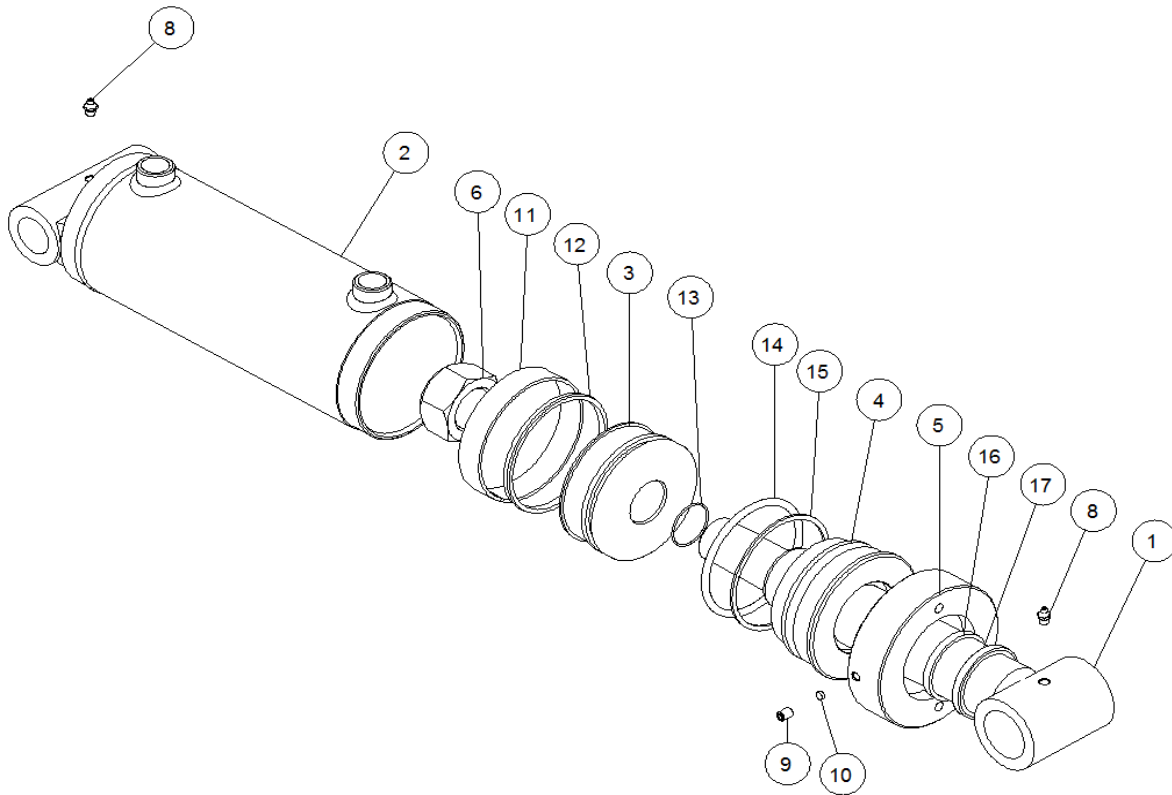




THE GLADIATOR LINE

3000 PSI EXTENDED DUTY



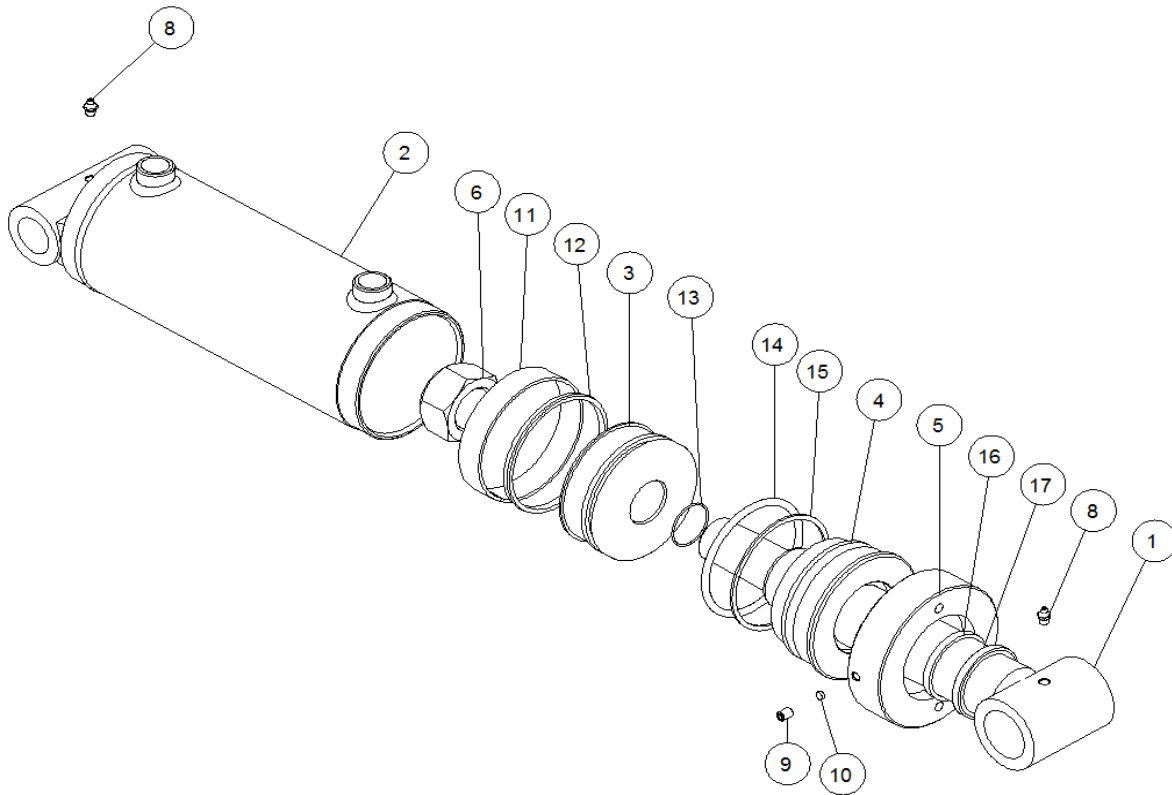
SAE-21000 SERIES 5.00" BORE

MODEL	ITEM	QUANTITY	PART NUMBER	DESCRIPTION
SAE-21008	1	1	021300128	PISTON ROD ASSY
SAE-21012	1	1	021300129	PISTON ROD ASSY
SAE-21016	1	1	021300130	PISTON ROD ASSY
SAE-21020	1	1	021300141	PISTON ROD ASSY
SAE-21024	1	1	021300131	PISTON ROD ASSY
SAE-21030	1	1	021300132	PISTON ROD ASSY
SAE-21036	1	1	021300133	PISTON ROD ASSY
SAE-21048	1	1	021300137	PISTON ROD ASSY
SAE-21054	1	1	021300138	PISTON ROD ASSY
SAE-21060	1	1	021300139	PISTON ROD ASSY
SAE-21008	2	1	062100467	BUTT & TUBE ASSY
SAE-21012	2	1	062100468	BUTT & TUBE ASSY
SAE-21016	2	1	062100469	BUTT & TUBE ASSY
SAE-21020	2	1	062100868	BUTT & TUBE ASSY
SAE-21024	2	1	062100470	BUTT & TUBE ASSY
SAE-21030	2	1	062100471	BUTT & TUBE ASSY
SAE-21036	2	1	062100472	BUTT & TUBE ASSY
SAE-21048	2	1	062100853	BUTT & TUBE ASSY
SAE-21054	2	1	062100852	BUTT & TUBE ASSY



THE GLADIATOR LINE

3000 PSI EXTENDED DUTY



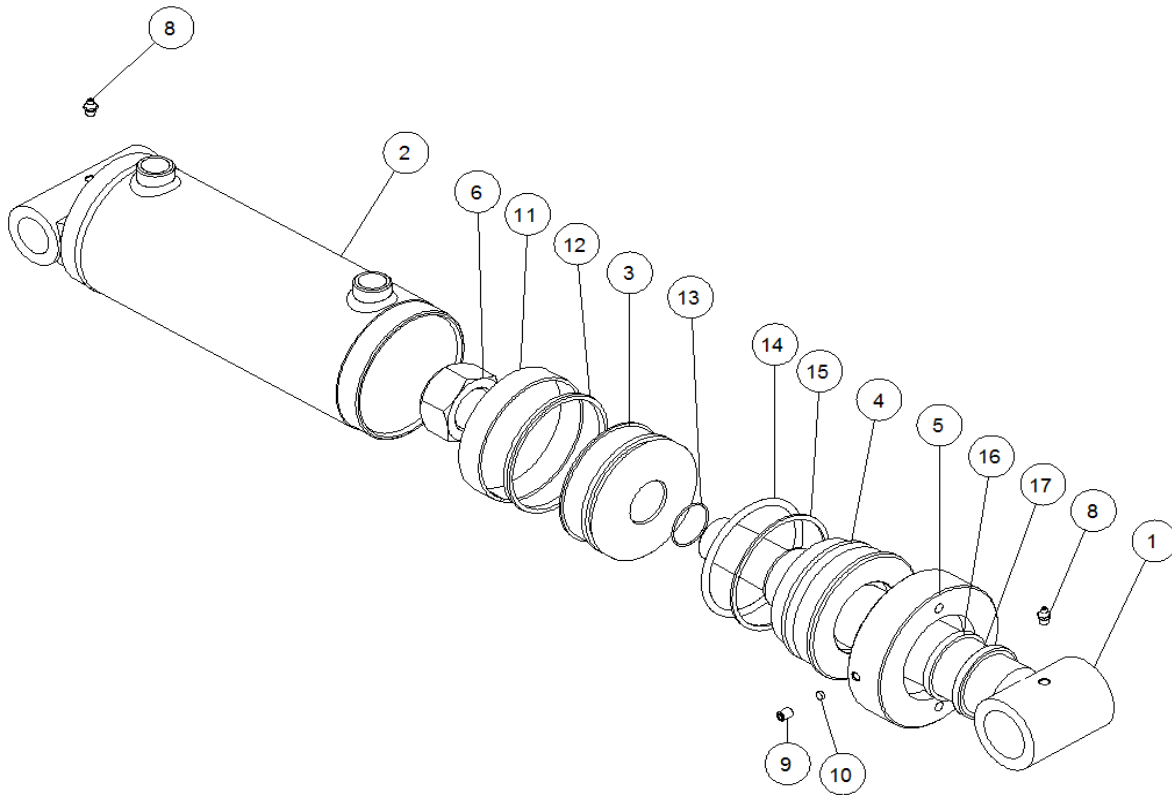
SAE-21000 SERIES 5.00" BORE

MODEL	ITEM	QUANTITY	PART NUMBER	DESCRIPTION
SAE-21060	2	1	062100869	BUTT & TUBE ASSY
SAE-21000	3	1	072100181	PISTON
SAE-21000	4	1	082100267	GLAND
SAE-21000	5	1	262100018	GLAND CAP
SAE-21000	6	1	220000217	LOCKNUT
SAE-21048	7	1	211400027	2" SPACER - NOT SHOWN
SAE-21054	7	1	211400028	3" SPACER - NOT SHOWN
SAE-21060	7	1	211400029	4" SPACER - NOT SHOWN
SAE-21000	8	2	270010002	GREASE ZERK
SAE-21000	9	1	220000701	SET SCREW
SAE-21000	10	1	220000853	NYLON LOCK
SAE-21000	11	1 *	240011067	BEARING RING
SAE-21000	12	1 *	240060350	CROWN SEAL
SAE-21000	13	1 *	240000031	O-RING
SAE-21000	14	1 *	240000425	O-RING
SAE-21000	15	1 *	240061425	BU-WASHER
SAE-21000	16	1 *	240020013	U-CUP
SAE-21000	17	1 *	250014250	WIPER
SAE-21000	18	1 **	250001333	WIPER



THE GLADIATOR LINE

3000 PSI EXTENDED DUTY



SAE-21000 SERIES 5.00" BORE

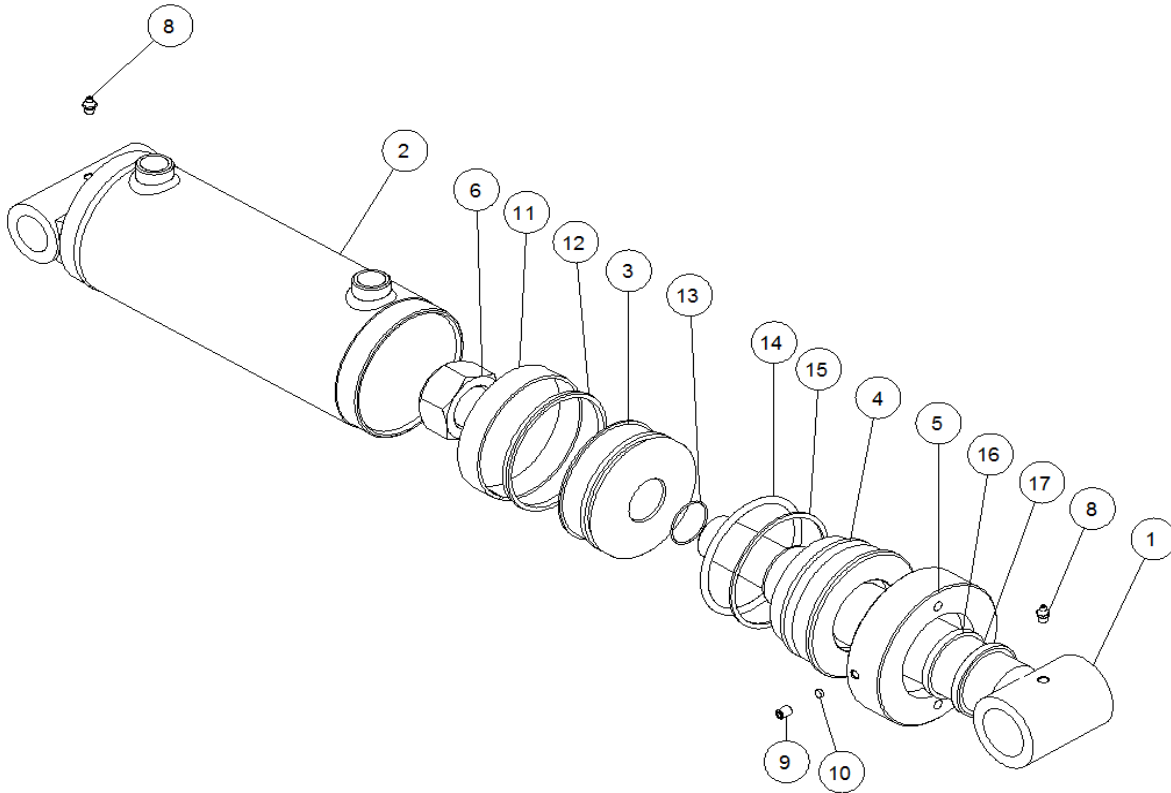
MODEL	ITEM	QUANTITY	PART NUMBER	DESCRIPTION
SAE-21000		*	PMCK-21000	PACKING KIT

****REPLACEMENT SEAL INCLUDED IN PACKING KIT-NOT SHOWN ON DRAWING.**



THE GLADIATOR LINE

3000 PSI EXTENDED DUTY



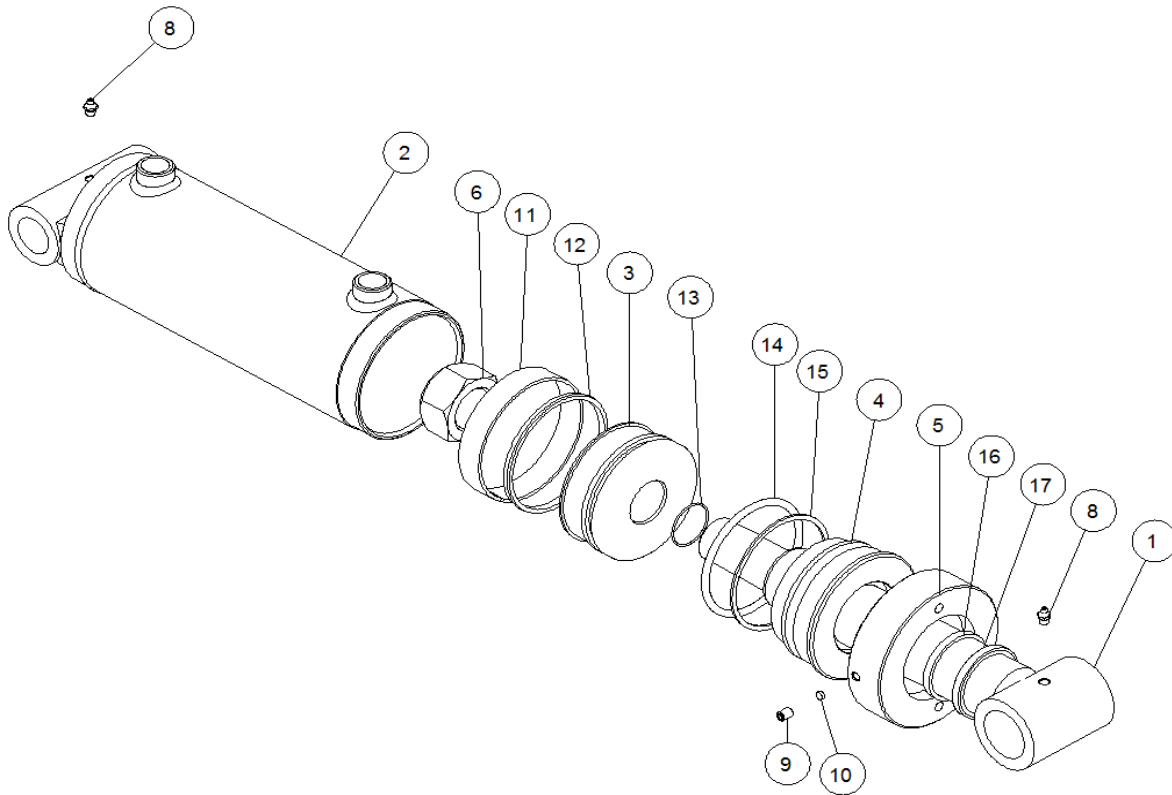
SAE-22000 SERIES 6.00" BORE

MODEL	ITEM	QUANTITY	PART NUMBER	DESCRIPTION
SAE-22008	1	1	021500073	PISTON ROD ASSY
SAE-22012	1	1	021500074	PISTON ROD ASSY
SAE-22016	1	1	021500075	PISTON ROD ASSY
SAE-22024	1	1	021500076	PISTON ROD ASSY
SAE-22030	1	1	021500077	PISTON ROD ASSY
SAE-22036	1	1	021500078	PISTON ROD ASSY
SAE-22048	1	1	021500079	PISTON ROD ASSY
SAE-22054	1	1	021500080	PISTON ROD ASSY
SAE-22060	1	1	021500081	PISTON ROD ASSY
SAE-22008	2	1	062300416	BUTT & TUBE ASSY
SAE-22012	2	1	062300417	BUTT & TUBE ASSY
SAE-22016	2	1	062300418	BUTT & TUBE ASSY
SAE-22024	2	1	062300419	BUTT & TUBE ASSY
SAE-22030	2	1	062300420	BUTT & TUBE ASSY
SAE-22036	2	1	062300421	BUTT & TUBE ASSY
SAE-22048	2	1	062300677	BUTT & TUBE ASSY
SAE-22054	2	1	062300685	BUTT & TUBE ASSY
SAE-22060	2	1	062300686	BUTT & TUBE ASSY
SAE-22000	3	1	072300150	PISTON



THE GLADIATOR LINE

3000 PSI EXTENDED DUTY



SAE-22000 SERIES 6.00" BORE

MODEL	ITEM	QUANTITY	PART NUMBER	DESCRIPTION
SAE-22000	4	1	082300208	GLAND
SAE-22000	5	1	262300011	GLAND CAP
SAE-22000	6	1	220000218	LOCKNUT
SAE-22048	7	1	211600012	2" SPACER-NOT SHOWN
SAE-22054	7	1	211600013	3" SPACER - NOT SHOWN
SAE-22060	7	1	211600014	4" SPACER - NOT SHOWN
SAE-22000	8	2	270010002	GREASE ZERK
SAE-22000	9	1	220000701	SET SCREW
SAE-22000	10	1	220000853	NYLON LOCK
SAE-22000	11	1 *	240011084	BEARING RING
SAE-22000	12	1 *	240060433	CROWN SEAL
SAE-22000	13	1 *	240000033	O-RING
SAE-22000	14	1 *	240000433	O-RING
SAE-22000	15	1 *	240061433	BU-WASHER
SAE-22000	16	1 *	240020017	U-CUP
SAE-22000	17	1 *	250014300	WIPER
SAE-22000	18	1 **	250001337	WIPER
		*	PMCK-22000	PACKING KIT

****REPLACEMENT SEAL INCLUDED IN PACKING KIT-NOT SHOWN ON DRAWING.**