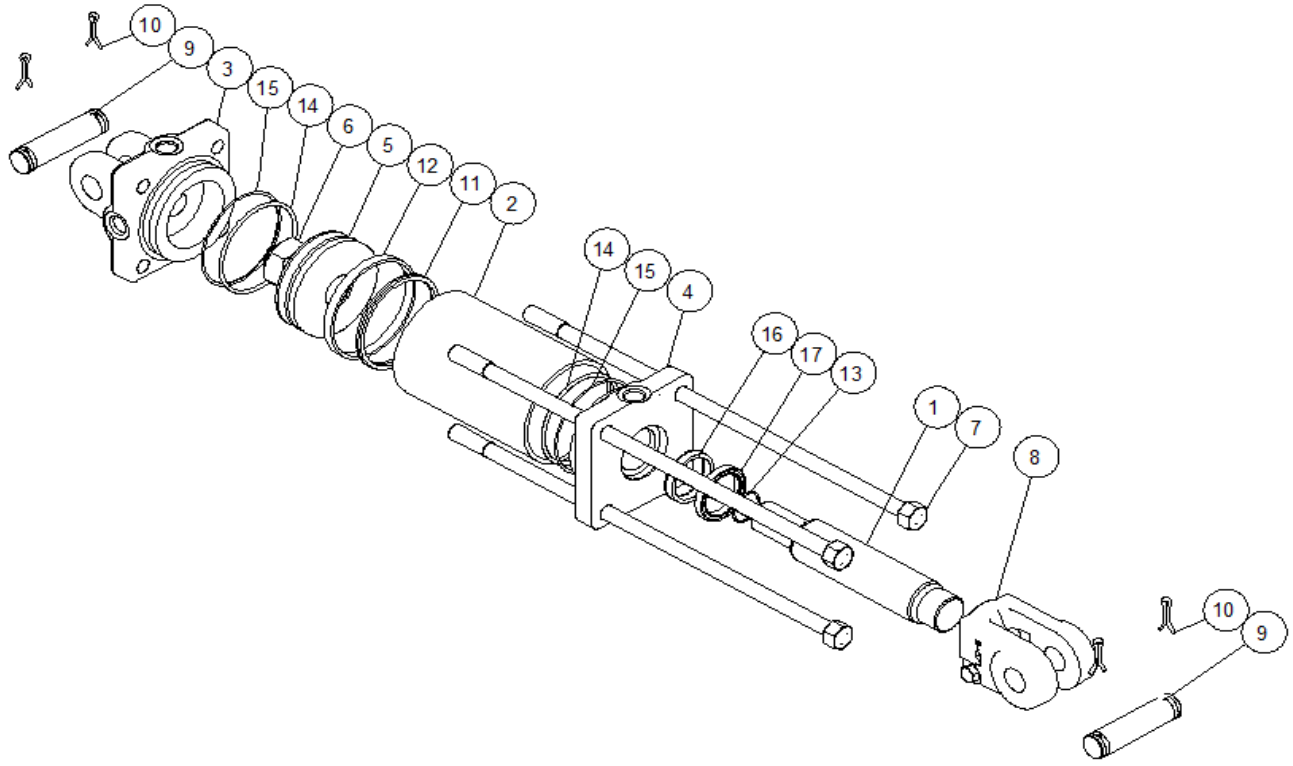




2" ROD TIEROD

3000 PSI



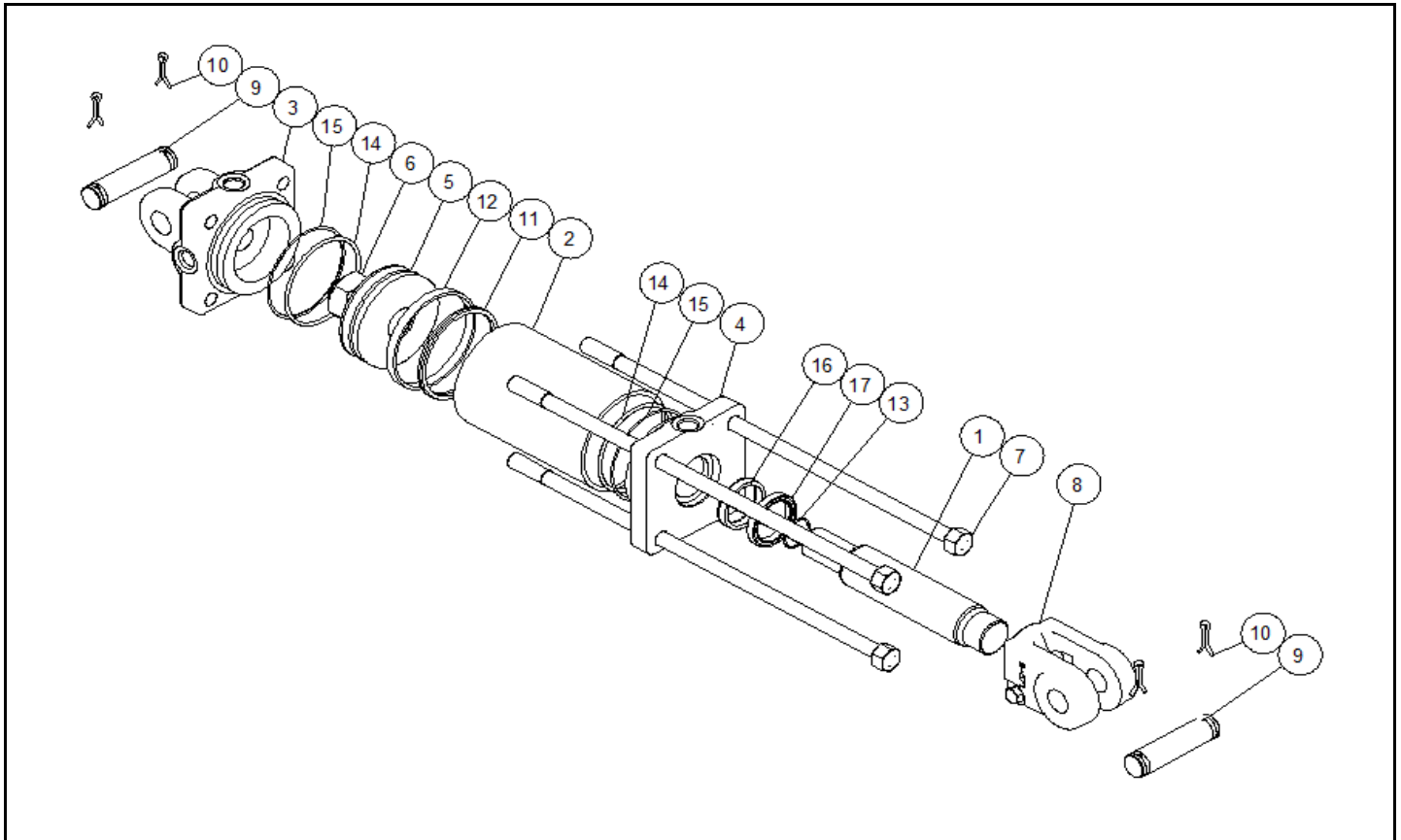
B400000 4.00" BORE 2.00" ROD

MODEL	ITEM	QUANTITY	PART NUMBER	DESCRIPTION
C400080ABDDA03B	1	1	011115438D	PISTON ROD
C400160ABDDA03B	1	1	011126688D	PISTON ROD
C400240ABDDA03B	1	1	011131438D	PISTON ROD
C400260ABDDA03B	1	1	011133438D	PISTON ROD
C400080ABDDA03B	2	1	051910563A	TUBE
C400160ABDDA03B	2	1	051918563A	TUBE
C400240ABDDA03B	2	1	051926563A	TUBE
C400260ABDDA03B	2	1	051928563A	TUBE
C400000	3	1	1419007SF	BUTT
C400000	4	1	0819BCASF	GLAND
C400000	5	1	071900260	PISTON
C400000	6	1	220000212	LOCK NUT
C400080ABDDA03B	7	4	170301134	TIEROD ASSEMBLY
C400160ABDDA03B	7	4	170301214	TIEROD ASSEMBLY
C400240ABDDA03B	7	4	170301294	TIEROD ASSEMBLY
C400260ABDDA03B	7	4	170301314	TIEROD ASSEMBLY
C400000	8	1	100000328	CLEVIS ASSEMBLY
C400000	9	2	190600024	CLEVIS PIN
C400000	10	4	220001504	COTTER PIN



2" ROD TIEROD

3000 PSI



B400000 4.00" BORE 2.00" ROD

MODEL	ITEM	QUANTITY	PART NUMBER	DESCRIPTION
C400000	11	1*	240060342	CROWN SEAL
C400000	12	1*	240011119	BEARING RING
C400000	13	1*	240000026	O-RING
C400000	14	2*	240000240	O-RING
C400000	15	2*	240061240	BU-WASHER
C400000	16	1*	240020009	U-CUP
C400000	17	1*	250014200	WIPER
C400000			*PMCK-D400000	PACKING KIT