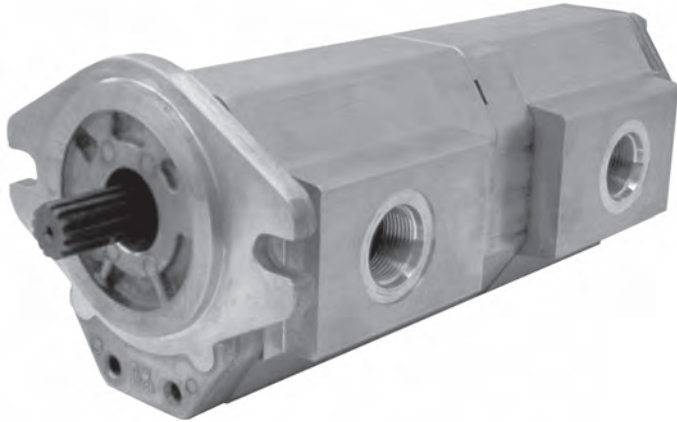
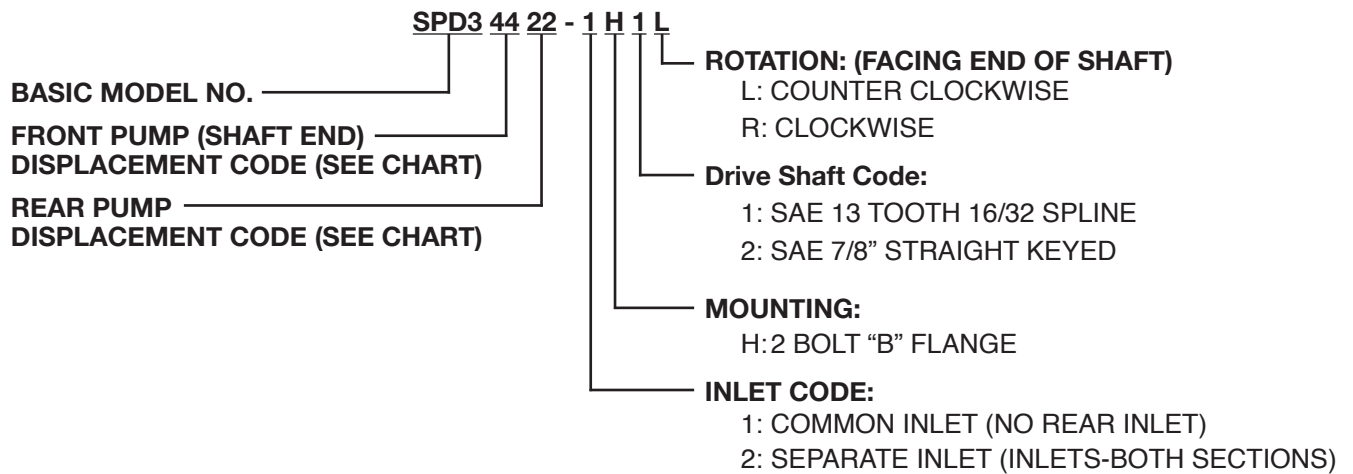


SPD3 DOUBLE PUMPS

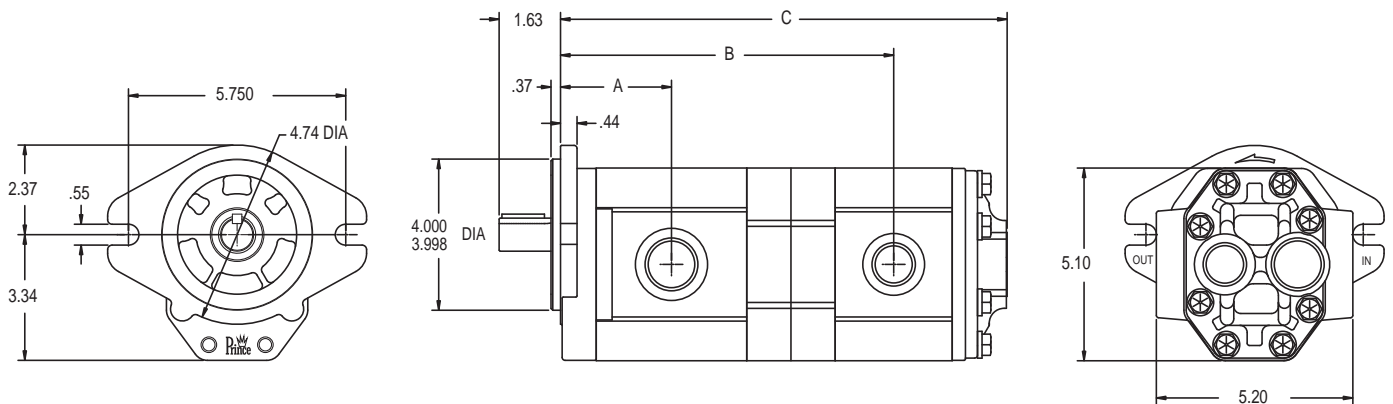


The SPD3 series of double pumps consists of two SP-25A pump sections. The typical performance of each section and the features of the pump are the same as indicated for the SP-25A series of pumps.

MODEL NO. CODING



DIMENSIONS



SPLINED SHAFT SPECIFICATIONS

Per SAE Specifications

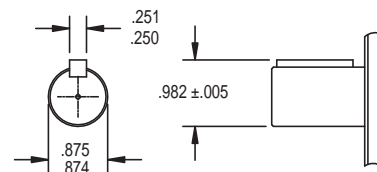
13 Tooth

16/32 Spline Pitch

30 Degree Pressure Angle

Flat Root Side Fit

KEYED SHAFT SPECIFICATIONS



SPD3 SERIES DOUBLE PUMPS

BASIC MODEL NUMBER & DISPLACEMENT CODES	DISPLACEMENT		MAXIMUM PRESSURE		MAXIMUM SPEED RPM	OUTLET PORT ⁰ SAE SIZE		INLET PORT SAE SIZE ⁰ SEPARATE INLET PUMP		INLET PORT SAE SIZE ⁰ COMMON INLET PUMP		PUMP DIMENSIONS			WT. (L.B.)
	FRONT CU IN/REV	REAR CU IN/REV	FRONT PSI	REAR PSI		FRONT PUMP	REAR PUMP	FRONT PUMP	REAR PUMP	FRONT PUMP	REAR PUMP	A IN.	B IN.	C IN.	
SPD3 19 19	1.141	1.141	3000	3000	3000	1 1/16-12	1 1/16-12	1 5/16-12	1 5/16-12	1 5/8-12	NONE	2.49	7.93	10.93	23.3
SPD3 22 19	1.349	1.141	3000	3000	3000	1 1/16-12	1 1/16-12	1 5/16-12	1 5/16-12	1 5/8-12	NONE	2.55	8.05	11.05	23.5
SPD3 22 22	1.349	1.349	3000	3000	3000	1 1/16-12	1 1/16-12	1 5/16-12	1 5/16-12	1 5/8-12	NONE	2.55	8.11	11.17	23.7
SPD3 27 19	1.660	1.141	3000	3000	3000	1 1/16-12	1 1/16-12	1 5/16-12	1 5/16-12	1 5/8-12	NONE	2.64	8.23	11.23	23.9
SPD3 27 22	1.660	1.349	3000	3000	3000	1 1/16-12	1 1/16-12	1 5/16-12	1 5/16-12	1 5/8-12	NONE	2.64	8.29	11.35	24.1
SPD3 27 27	1.660	1.660	3000	3000	3000	1 1/16-12	1 1/16-12	1 5/16-12	1 5/16-12	1 5/8-12	NONE	2.64	8.37	11.52	24.5
SPD3 32 19	2.008	1.141	3000	3000	3000	1 5/16-12	1 1/16-12	1 5/8-12	1 5/16-12	1 7/8-12	NONE	2.74	8.42	11.42	24.3
SPD3 32 22	2.008	1.349	3000	3000	3000	1 5/16-12	1 1/16-12	1 5/8-12	1 5/16-12	1 7/8-12	NONE	2.74	8.48	11.54	24.5
SPD3 32 27	2.008	1.660	3000	3000	3000	1 5/16-12	1 1/16-12	1 5/8-12	1 5/16-12	1 7/8-12	NONE	2.74	8.57	11.72	24.9
SPD3 32 32	2.008	2.008	3000	3000	3000	1 5/16-12	1 5/16-12	1 5/8-12	1 5/8-12	1 7/8-12	NONE	2.74	8.67	11.92	25.3
SPD3 38 19	2.318	1.141	3000	3000	3000	1 5/16-12	1 1/16-12	1 5/8-12	1 5/16-12	1 7/8-12	NONE	2.83	8.60	11.60	24.8
SPD3 38 22	2.318	1.349	3000	3000	3000	1 5/16-12	1 1/16-12	1 5/8-12	1 5/16-12	1 7/8-12	NONE	2.83	8.66	11.72	25.0
SPD3 38 27	2.318	1.660	3000	3000	3000	1 5/16-12	1 1/16-12	1 5/8-12	1 5/16-12	1 7/8-12	NONE	2.83	8.75	11.90	25.4
SPD3 38 32	2.318	2.008	3000	3000	3000	1 5/16-12	1 5/16-12	1 5/8-12	1 5/8-12	1 7/8-12	NONE	2.83	8.85	12.09	25.8
SPD3 38 38	2.318	2.318	3000	3000	3000	1 5/16-12	1 5/16-12	1 5/8-12	1 5/8-12	1 7/8-12	NONE	2.83	8.94	12.27	26.3
SPD3 44 19	2.697	1.141	3000	3000	3000	1 5/16-12	1 1/16-12	1 5/8-12	1 5/16-12	1 7/8-12	NONE	2.94	8.82	11.82	25.3
SPD3 44 22	2.697	1.349	3000	3000	3000	1 5/16-12	1 1/16-12	1 5/8-12	1 5/16-12	1 7/8-12	NONE	2.94	8.88	11.94	25.5
SPD3 44 27	2.697	1.660	3000	3000	3000	1 5/16-12	1 1/16-12	1 5/8-12	1 5/16-12	1 7/8-12	NONE	2.94	8.96	12.11	25.9
SPD3 44 32	2.697	2.008	2900*	2700*	3000	1 5/16-12	1 5/16-12	1 5/8-12	1 5/8-12	1 7/8-12	NONE	2.94	9.06	12.31	26.3
SPD3 44 38	2.697	2.318	2800*	2500*	3000+	1 5/16-12	1 5/16-12	1 5/8-12	1 5/8-12	1 7/8-12	NONE	2.94	9.15	12.49	26.8
SPD3 44 44	2.697	2.697	2600*	2300*	3000+	1 5/16-12	1 5/16-12	1 5/8-12	1 5/8-12	1 7/8-12	NONE	2.94	9.26	12.70	27.3
SPD3 52 19	3.179	1.141	2500	3000	3000	1 5/16-12	1 1/16-12	1 5/8-12	1 5/16-12	1 7/8-12	NONE	3.07	9.09	12.09	26.1
SPD 52 22	3.179	1.349	2500	3000	3000	1 5/16-12	1 1/16-12	1 5/8-12	1 5/16-12	1 7/8-12	NONE	3.07	9.15	12.21	26.3
SPD 52 27	3.179	1.660	2500	3000	3000	1 5/16-12	1 1/16-12	1 5/8-12	1 5/16-12	1 7/8-12	NONE	3.07	9.24	12.39	26.7
SPD3 52 32	3.179	2.008	2500*	2500*	3000	1 5/16-12	1 5/16-12	1 5/8-12	1 5/8-12	1 7/8-12	NONE	3.07	9.34	12.59	27.1
SPD3 52 38	3.179	2.318	2300*	2500*	3000+	1 5/16-12	1 5/16-12	1 5/8-12	1 5/8-12	1 7/8-12	NONE	3.07	9.43	12.76	27.6
SPD3 52 44	3.179	2.697	2100*	2400*	3000+	1 5/16-12	1 5/16-12	1 5/8-12	1 5/8-12	1 7/8-12	NONE	3.07	9.54	12.98	28.1
SPD3 52 52	3.179	3.179	2000*	2100*	3000+	1 5/16-12	1 5/16-12	1 5/8-12	1 5/8-12	1 7/8-12	NONE	3.07	9.67	13.26	28.9
SPD3 63 19	3.869	1.141	2500*	2900*	3000	1 5/16-12	1 1/16-12	1 7/8-12	1 5/16-12	1 7/8-12	NONE	3.27	9.49	12.49	26.8
SPD3 63 22	3.869	1.349	2500*	2500*	3000	1 5/16-12	1 1/16-12	1 7/8-12	1 5/16-12	1 7/8-12	NONE	3.27	9.55	12.61	27.0
SPD3 63 27	3.869	1.660	2300*	2500*	3000	1 5/16-12	1 1/16-12	1 7/8-12	1 5/16-12	1 7/8-12	NONE	3.27	9.63	12.78	27.4
SPD3 63 32	3.869	2.008	2100*	2500*	3000+	1 5/16-12	1 5/16-12	1 7/8-12	1 5/8-12	1 7/8-12	NONE	3.27	9.73	12.98	27.8
SPD3 63 38	3.869	2.318	2000*	2300*	3000+	1 5/16-12	1 5/16-12	1 7/8-12	1 5/8-12	1 7/8-12	NONE	3.27	9.82	13.16	28.3
SPD3 63 44	3.869	2.697	1900*	2100*	3000+	1 5/16-12	1 5/16-12	1 7/8-12	1 5/8-12	1 7/8-12	NONE	3.27	9.93	13.37	28.8
SPD3 63 52	3.869	3.179	1700*	2000*	3000+	1 5/16-12	1 5/16-12	1 7/8-12	1 5/8-12	1 7/8-12	NONE	3.27	10.07	13.65	29.6
SPD3 63 63	3.869	3.869	1500*	1800*	3000+	1 5/16-12	1 5/16-12	1 7/8-12	1 7/8-12	1 7/8-12	NONE	3.27	10.26	14.04	30.3

⁰ Standard ports as indicated are UN-2B straight thread O-Ring boss ports. Optional sizes and configurations are available. Consult factory.

* Different pressure combinations may be used if required provided they conform to the following equation $PF \times DF + PR \times DR < 13200$ where PF and PR are the operating pressures (psi) and DF and DR are the displacements (cu in/rev) for the front and rear pumps respectively (maximum pressures are 3000 psi for displacement codes 19 - 44 and 2500 psi for displacement codes 52 - 63).

Consult factory.

+ Common inlet pumps require a reduction in maximum rpm. Consult factory.