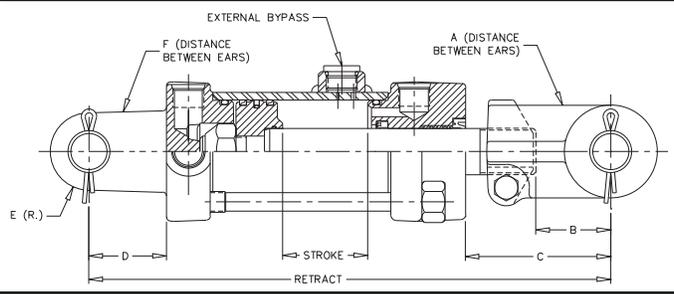
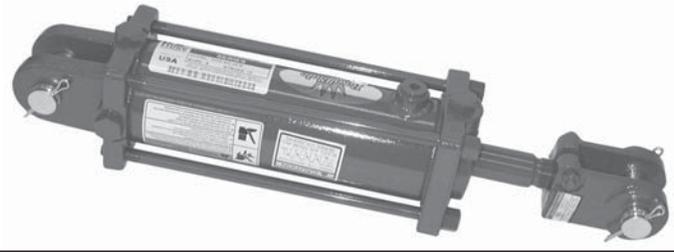




SERIES CYLINDER SYSTEMS

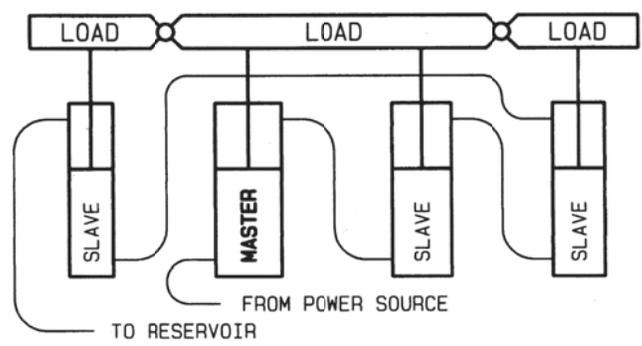
TIE ROD CONSTRUCTION - EXTERNAL STYLE BYPASS



FEATURES:

- Heavy duty tie-rod construction
- Induction hardened piston rods plated with RoyalPlate Plus®
- “DU” bushing
- #8 S.A.E.(3/4-16 ORB) ports
- For use with 1” pins
- Pins, clips & cotters included
- ORB to pipe adaptors are included
- Standard color is black
- Same high quality features found in all Prince Tie-rod Cylinders with the addition of an external bypass (rephase)

TO RAISE LOADS EQUALLY



NOTES:

- Master cylinder provides power for the entire system
- Each cylinder in series has less pressure in proportion to the load on it
- Designed for use in a series cylinder circuit at a maximum of 3000 PSI, cylinder not to be used at 3000 PSI in push or pull as a single cylinder
- Stroke control assemblies may be installed on 8” stroke models
- Can be used with remote stroke control valve PM-SC-10
- Can be used with holding valves HC-V-AA21 and HC-V-AA22
- Master cylinder equipped with series/rephase and stroke control are available. Contact Prince Sales Department.
- Custom designs in welded or tie-rod style for larger or smaller bore sizes
- Exact matched sets available
- Contact Prince Engineering Department for special applications

Bore	Rod Dia.	8" Stroke 20 1/4" Retract	10" Stroke 22 1/4" Retract	12" Stroke 24 1/4" Retract	16" Stroke 28 1/4" Retract	A	B	C	D	E	F
2 1/2	1 1/8	PMS-AM-2586	PMS-AM-2629	Consult Factory		1 1/16	1 13/16	5 9/32	1 7/8	15/16	1 1/16
2 3/4	1 1/8	PMS-AM-2580	PMS-AM-2627	For Availability		1 1/16	1 13/16	5 23/32	1 7/8	15/16	1 1/16
3	1 1/4	PMS-AM-2574	PMS-AM-2625	PMS-AM-2576	PMS-AM-2578	1 1/16	1 13/16	5 27/32	1 7/8	15/16	1 1/16
3 1/4	1 1/4	PMS-AM-2568	PMS-AM-2623	PMS-AM-2570	PMS-AM-2572	1 1/16	1 13/16	5 27/32	1 7/8	1 1/4	1 1/16
3 1/2	1 1/4	PMS-AM-2562	PMS-AM-2621	PMS-AM-2564	PMS-AM-2566	1 1/16	1 13/16	5 27/32	1 7/8	1 1/4	1 1/16
3 3/4	1 3/8	PMS-AM-2556A	PMS-AM-2619A	PMS-AM-2558A	PMS-AM-2560A	1 1/8	1 7/8	5 11/32	1 3/4	1 1/4	1 1/16
4	1 3/8	PMS-AM-2550A	PMS-AM-2617A	PMS-AM-2552A	PMS-AM-2554A	1 1/8	1 7/8	5 11/32	1 3/4	1 1/4	1 1/16
4 1/2	2	PMS-AM-2544	PMS-AM-2615	PMS-AM-2546	PMS-AM-2548	1 1/8	1 7/8	4 1/32	1 3/4	1 1/4	1 1/8
4 3/4	1 1/2	PMS-AM-2538	PMS-AM-2613	PMS-AM-2540	PMS-AM-2542	1 1/8	1 13/16	4 1/32	1 3/4	1 1/4	1 1/8
5	1 1/2	PMS-AM-2532	PMS-AM-2611	PMS-AM-2534	PMS-AM-2536	1 1/8	1 13/16	4 1/32	1 3/4	1 1/4	1 1/8